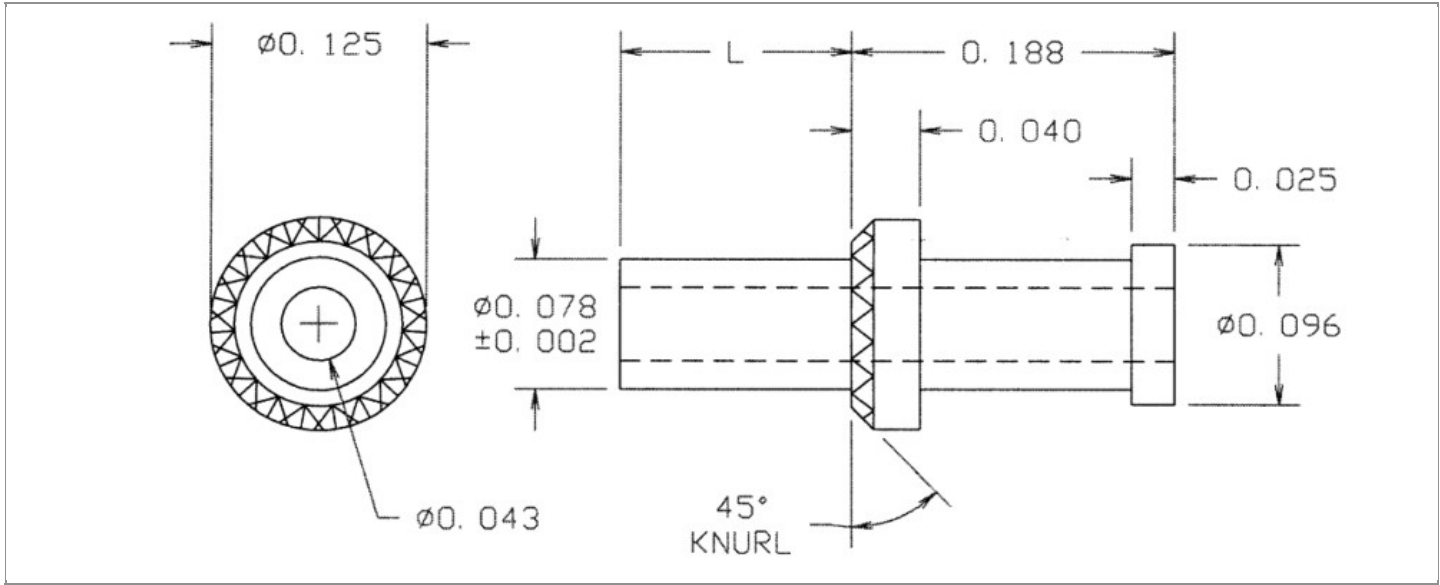


<b>DRAWING NUMBER:</b>	<b>14-346-X-XX</b>
<b>PRODUCT GROUP:</b>	TERMINALS
<b>SUB-GROUP:</b>	COMMERCIAL NON-INSULATED TERMINALS
<b>DESCRIPTION:</b>	NON-INSULATED THRU-HOLE KNURLED TURRET TERMINAL



BOARD / PANEL MOUNTING METHOD	MOUNTING HOLE SIZE	DRILL SIZE	FEED THRU COMBINATION
SWAGE MOUNT	0.082" ± 0.001	#45	N/A

### PART NO. STRUCTURE:

14-346 - X - XX  
 PART SERIES    DIMENSION    FINISH

### MATERIAL OPTIONS:

14-346-X-XX

COMPONENT	MATERIAL	MATERIAL AND SPECIFICATION
TERMINAL	LEADED RED BRASS	LEADED RED BRASS PER ASTM B140, ALLOY C31400, 1/2 HARD

### DIMENSION OPTIONS:

14-346-X-XX

DIMENSION	A	D	PIN DIAMETER	OVERALL LENGTH	SHANK LENGTH (L)	BOARD/PANEL THICKNESS
2	N/A	N/A	N/A	0.297"	0.109"	1/16"
3	N/A	N/A	N/A	0.323"	0.135"	3/32"
4A	N/A	N/A	N/A	0.340"	0.152"	1/8"
4	N/A	N/A	N/A	0.360"	0.172"	1/8"

FINISH - PLATING OPTIONS:

14-346-X-XX

FINISH CODE	COMPONENT	FINISH	FINISH AND SPECIFICATION
01	TERMINAL	SILVER	0.000300"MIN. SILVER PER ASTM B700, TYPE 2, GRADE D WITH A NON-CHROMATE PRESERVATIVE TREATMENT
03	TERMINAL	GOLD	0.000010"MIN. GOLD PER ASTM B488, TYPE II, CODE C OVER 0.000050"MIN. NICKEL PER SAE-AMS-QQ-N-290
035	TERMINAL	GOLD	0.000050"MIN. GOLD PER ASTM B488, TYPE II, CODE C OVER 0.000050"MIN. NICKEL PER SAE-AMS-QQ-N-290
04	TERMINAL	ELECTRO-TIN	0.000300"MIN. ELECTRO-TIN PER ASTM B545 OVER 0.000100"MIN. COPPER PER SAE-AMS-2418
044	TERMINAL	BRIGHT ELECTRO-TIN	0.000300"MIN. BRIGHT ELECTRO-TIN PER ASTM B545 OVER 0.000100"MIN. COPPER PER SAE-AMS-2418
05	TERMINAL	ELECTRO-SOLDER	0.000300"MIN. ELECTRO-SOLDER PER SAE-AMS-P-81728 OVER 0.000100"MIN. COPPER PER SAE-AMS-2418
088	TERMINAL	BRIGHT TIN-LEAD	0.000300"MIN. BRIGHT TIN-LEAD (Sn93%-Pb7%) PER ASTM B545 OVER 0.000100"MIN. COPPER PER SAE-AMS-2418

TOLERANCES:\*

DECIMAL	FRACTIONAL	ANGULAR	DRAWING ORIGATION DATE	LAST MODIFICATION DATE
± 0.005	± 1/64	± 5 °	2/25/1998	3/1/2017

\*All dimensions are in inches.

RoHS COMPLIANCE:

14-346-2-XX

PART NUMBER	RoHS COMPLIANT
14-346-2-01	YES
14-346-2-03	YES
14-346-2-035	YES
14-346-2-04	YES
14-346-2-044	YES
14-346-2-05	NO
14-346-2-088	NO

14-346-3-XX

PART NUMBER	RoHS COMPLIANT
14-346-3-01	YES
14-346-3-03	YES
14-346-3-035	YES
14-346-3-04	YES
14-346-3-044	YES
14-346-3-05	NO
14-346-3-088	NO

14-346-4A-XX

PART NUMBER	RoHS COMPLIANT
14-346-4A-01	YES
14-346-4A-03	YES
14-346-4A-035	YES
14-346-4A-04	YES
14-346-4A-044	YES
14-346-4A-05	NO
14-346-4A-088	NO

Continued on next page...

**RoHS COMPLIANCE** CONTINUED:

**14-346-4-XX**

PART NUMBER	RoHS COMPLIANT
14-346-4-01	YES
14-346-4-03	YES
14-346-4-035	YES
14-346-4-04	YES
14-346-4-044	YES
14-346-4-05	NO
14-346-4-088	NO

**TOOLING:**

INSTALLATION TOOL: ARBOR PRESS	INSTALLATION TOOL: ANVIL (ARBOR PRESS OPERATED)	INSTALLATION TOOL: PRESS-FIT / ROLL SWAGE / RIVET PUNCH (ARBOR PRESS OPERATED)	INSTALLATION TOOL: FLARE SWAGE PUNCH (ARBOR PRESS OPERATED)
TM1	TA125-96-23	TP78-43	TFLP90-175

**NOTES:**

DATASHEET NOTES
-----------------

N/A

INSTRUCTION NOTES
-------------------

SEE GENERAL SWAGING INSTALLATION INSTRUCTION ON CONCORD ELECTRONICS' WEBSITE [WWW.CONCORD-ELECTRONICS.COM](http://WWW.CONCORD-ELECTRONICS.COM).