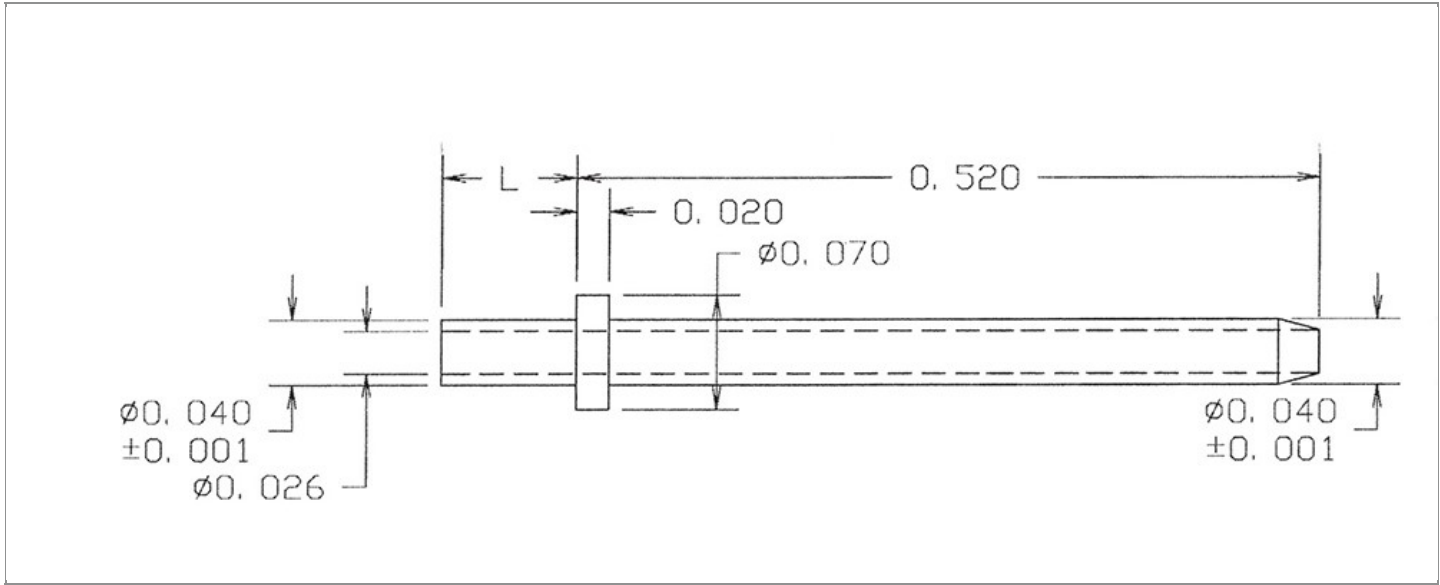


|                        |   |
|------------------------|---|
| <b>DRAWING NUMBER:</b> | <b>10-971-X-XX</b>                      |
| <b>PRODUCT GROUP:</b>  | TERMINALS                               |
| <b>SUB-GROUP:</b>      | COMMERCIAL NON-INSULATED TERMINALS      |
| <b>DESCRIPTION:</b>    | NON-INSULATED THRU-HOLE PC PIN TERMINAL |



| BOARD / PANEL MOUNTING METHOD | MOUNTING HOLE SIZE | DRILL SIZE | FEED THRU COMBINATION |
|-------------------------------|--------------------|------------|-----------------------|
| SWAGE MOUNT                   | 0.043" ± 0.001     | #57        | N/A                   |

**PART NO. STRUCTURE:**

10-971 - X - XX  
 PART SERIES    DIMENSION    FINISH

**MATERIAL OPTIONS:**

10-971-X-XX

| COMPONENT | MATERIAL | MATERIAL AND SPECIFICATION                 |
|-----------|----------|--|
| TERMINAL  | BRASS    | BRASS PER ASTM B16, ALLOY C36000, 1/2 HARD |

**DIMENSION OPTIONS:**

10-971-X-XX

| DIMENSION | A   | D   | PIN DIAMETER   | OVERALL LENGTH | SHANK LENGTH (L) | BOARD/PANEL THICKNESS |
|-----------|-----|-----|----------------|----------------|------------------|-----------------------|
| 1         | N/A | N/A | 0.040" ± 0.001 | 0.571"         | 0.051"           | 1/32"                 |
| 2         | N/A | N/A | 0.040" ± 0.001 | 0.602"         | 0.082"           | 1/16"                 |
| 3         | N/A | N/A | 0.040" ± 0.001 | 0.633"         | 0.113"           | 3/32"                 |

FINISH - PLATING OPTIONS:

10-971-X-XX

| FINISH CODE | COMPONENT | FINISH             | FINISH AND SPECIFICATION  |
|-------------|-----------|--------------------|---|
| 01          | TERMINAL  | SILVER             | 0.000300"MIN. SILVER PER ASTM B700, TYPE 2, GRADE D WITH A NON-CHROMATE PRESERVATIVE TREATMENT      |
| 03          | TERMINAL  | GOLD               | 0.000010"MIN. GOLD PER ASTM B488, TYPE II, CODE C OVER 0.000050"MIN. NICKEL PER SAE-AMS-QQ-N-290    |
| 035         | TERMINAL  | GOLD               | 0.000050"MIN. GOLD PER ASTM B488, TYPE II, CODE C OVER 0.000050"MIN. NICKEL PER SAE-AMS-QQ-N-290    |
| 04          | TERMINAL  | ELECTRO-TIN        | 0.000300"MIN. ELECTRO-TIN PER ASTM B545 OVER 0.000100"MIN. COPPER PER SAE-AMS-2418                  |
| 044         | TERMINAL  | BRIGHT ELECTRO-TIN | 0.000300"MIN. BRIGHT ELECTRO-TIN PER ASTM B545 OVER 0.000100"MIN. COPPER PER SAE-AMS-2418           |
| 05          | TERMINAL  | ELECTRO-SOLDER     | 0.000300"MIN. ELECTRO-SOLDER PER SAE-AMS-P-81728 OVER 0.000100"MIN. COPPER PER SAE-AMS-2418         |
| 088         | TERMINAL  | BRIGHT TIN-LEAD    | 0.000300"MIN. BRIGHT TIN-LEAD (Sn93%-Pb7%) PER ASTM B545 OVER 0.000100"MIN. COPPER PER SAE-AMS-2418 |

TOLERANCES:\*

| DECIMAL | FRACTIONAL | ANGULAR | DRAWING ORIGATION DATE | LAST MODIFICATION DATE |
|---------|------------|---------|------------------------|------------------------|
| ± 0.005 | ± 1/64     | ± 5 °   | 2/26/2004              | 3/1/2017               |

\*All dimensions are in inches.

RoHS COMPLIANCE:

10-971-1-XX

| PART NUMBER  | RoHS COMPLIANT |
|--------------|----------------|
| 10-971-1-01  | YES            |
| 10-971-1-03  | YES            |
| 10-971-1-035 | YES            |
| 10-971-1-04  | YES            |
| 10-971-1-044 | YES            |
| 10-971-1-05  | NO             |
| 10-971-1-088 | NO             |

10-971-2-XX

| PART NUMBER  | RoHS COMPLIANT |
|--------------|----------------|
| 10-971-2-01  | YES            |
| 10-971-2-03  | YES            |
| 10-971-2-035 | YES            |
| 10-971-2-04  | YES            |
| 10-971-2-044 | YES            |
| 10-971-2-05  | NO             |
| 10-971-2-088 | NO             |

10-971-3-XX

| PART NUMBER  | RoHS COMPLIANT |
|--------------|----------------|
| 10-971-3-01  | YES            |
| 10-971-3-03  | YES            |
| 10-971-3-035 | YES            |
| 10-971-3-04  | YES            |
| 10-971-3-044 | YES            |
| 10-971-3-05  | NO             |
| 10-971-3-088 | NO             |

TOOLING:

| INSTALLATION TOOL:<br>ARBOR PRESS | INSTALLATION TOOL:<br>ANVIL<br>(ARBOR PRESS OPERATED) | INSTALLATION TOOL:<br>PRESS-FIT / ROLL SWAGE / RIVET PUNCH<br>(ARBOR PRESS OPERATED) | INSTALLATION TOOL:<br>FLARE SWAGE PUNCH<br>(ARBOR PRESS OPERATED) |
|-----------------------------------|---|--|---|
| TM1                               | TA70-40-20  | TP40-25  | TFLP90-150  |

NOTES:

| DATASHEET NOTES |
|-----------------|
| N/A             |

Continued on next page...

**NOTES** CONTINUED:

**INSTRUCTION NOTES**

SEE GENERAL SWAGING INSTALLATION INSTRUCTION ON CONCORD ELECTRONICS' WEBSITE [WWW.CONCORD-ELECTRONICS.COM](http://WWW.CONCORD-ELECTRONICS.COM).