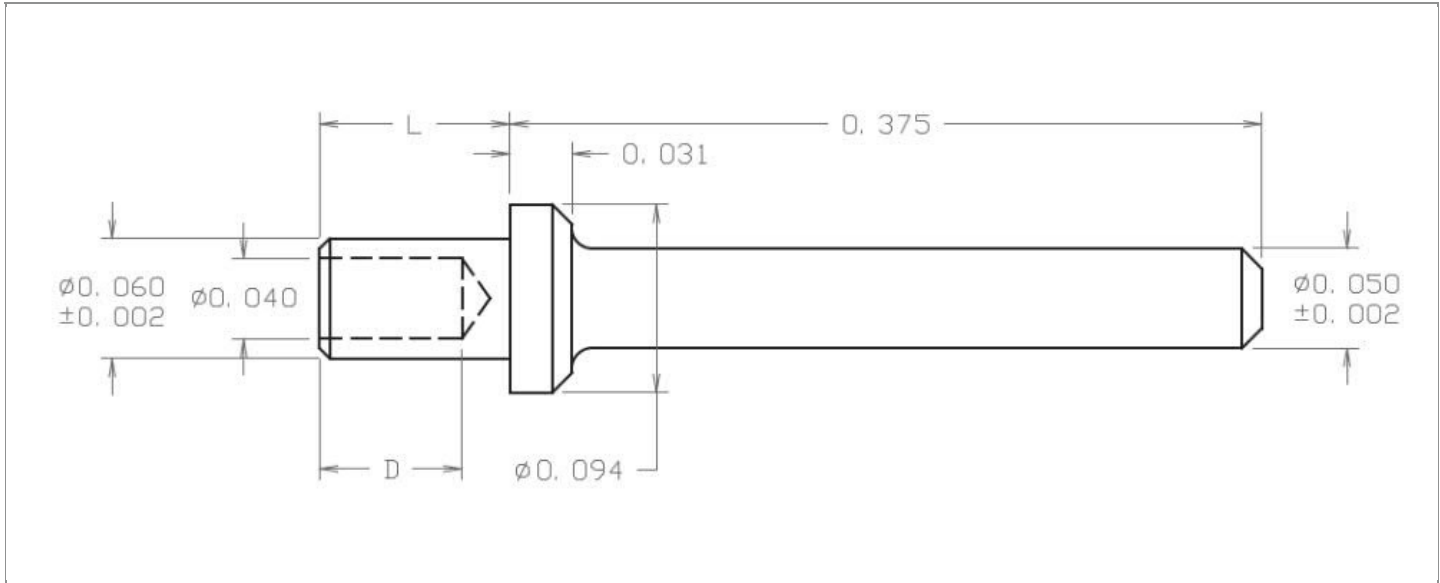


| | |
|------------------------|------------------------------------|
| DRAWING NUMBER: | 10-834-X-XX |
| PRODUCT GROUP: | TERMINALS |
| SUB-GROUP: | COMMERCIAL NON-INSULATED TERMINALS |
| DESCRIPTION: | NON-INSULATED PC PIN TERMINAL |



| BOARD / PANEL MOUNTING METHOD | MOUNTING HOLE SIZE | DRILL SIZE | FEED THRU COMBINATION |
|-------------------------------|--------------------|------------|-----------------------|
| SWAGE MOUNT | 0.064" ± 0.001 | #52 | N/A |

PART NO. STRUCTURE:

10-834 - X - XX
 PART SERIES DIMENSION FINISH

MATERIAL OPTIONS:

10-834-X-XX

| COMPONENT | MATERIAL | MATERIAL AND SPECIFICATION |
|-----------|----------|--|
| TERMINAL | BRASS | BRASS PER ASTM B16, ALLOY C36000, 1/2 HARD |

DIMENSION OPTIONS:

10-834-X-XX

| DIMENSION | A | D | PIN DIAMETER | OVERALL LENGTH | SHANK LENGTH (L) | BOARD/PANEL THICKNESS |
|-----------|-----|--------|----------------|----------------|------------------|-----------------------|
| 1 | N/A | 0.063" | 0.050" ± 0.002 | 0.438" | 0.063" | 1/32" |
| 2 | N/A | 0.071" | 0.050" ± 0.002 | 0.469" | 0.094" | 1/16" |
| 3 | N/A | 0.071" | 0.050" ± 0.002 | 0.500" | 0.125" | 3/32" |
| 4 | N/A | 0.071" | 0.050" ± 0.002 | 0.531" | 0.156" | 1/8" |
| 6 | N/A | 0.071" | 0.050" ± 0.002 | 0.594" | 0.219" | 3/16" |
| 8 | N/A | 0.071" | 0.050" ± 0.002 | 0.656" | 0.281" | 1/4" |

FINISH - PLATING OPTIONS:

10-834-X-**XX**

| FINISH CODE | COMPONENT | FINISH | FINISH AND SPECIFICATION |
|-------------|-----------|--------------------|---|
| 01 | TERMINAL | SILVER | 0.000300"MIN. SILVER PER ASTM B700, TYPE 2, GRADE D WITH A NON-CHROMATE PRESERVATIVE TREATMENT |
| 03 | TERMINAL | GOLD | 0.000010"MIN. GOLD PER ASTM B488, TYPE II, CODE C OVER 0.000050"MIN. NICKEL PER SAE-AMS-QQ-N-290 |
| 035 | TERMINAL | GOLD | 0.000050"MIN. GOLD PER ASTM B488, TYPE II, CODE C OVER 0.000050"MIN. NICKEL PER SAE-AMS-QQ-N-290 |
| 04 | TERMINAL | ELECTRO-TIN | 0.000300"MIN. ELECTRO-TIN PER ASTM B545 OVER 0.000100"MIN. COPPER PER SAE-AMS-2418 |
| 044 | TERMINAL | BRIGHT ELECTRO-TIN | 0.000300"MIN. BRIGHT ELECTRO-TIN PER ASTM B545 OVER 0.000100"MIN. COPPER PER SAE-AMS-2418 |
| 05 | TERMINAL | ELECTRO-SOLDER | 0.000300"MIN. ELECTRO-SOLDER PER SAE-AMS-P-81728 OVER 0.000100"MIN. COPPER PER SAE-AMS-2418 |
| 088 | TERMINAL | BRIGHT TIN-LEAD | 0.000300"MIN. BRIGHT TIN-LEAD (Sn93%-Pb7%) PER ASTM B545 OVER 0.000100"MIN. COPPER PER SAE-AMS-2418 |

TOLERANCES:*

| DECIMAL | FRACTIONAL | ANGULAR | DRAWING ORIGATION DATE | LAST MODIFICATION DATE |
|---------|------------|---------|------------------------|------------------------|
| ± 0.005 | ± 1/64 | ± 5 ° | 5/3/2001 | 3/1/2017 |

*All dimensions are in inches.

RoHS COMPLIANCE:

10-834-1-XX

| PART NUMBER | RoHS COMPLIANT |
|--------------|----------------|
| 10-834-1-01 | YES |
| 10-834-1-03 | YES |
| 10-834-1-035 | YES |
| 10-834-1-04 | YES |
| 10-834-1-044 | YES |
| 10-834-1-05 | NO |
| 10-834-1-088 | NO |

10-834-2-XX

| PART NUMBER | RoHS COMPLIANT |
|--------------|----------------|
| 10-834-2-01 | YES |
| 10-834-2-03 | YES |
| 10-834-2-035 | YES |
| 10-834-2-04 | YES |
| 10-834-2-044 | YES |
| 10-834-2-05 | NO |
| 10-834-2-088 | NO |

10-834-3-XX

| PART NUMBER | RoHS COMPLIANT |
|--------------|----------------|
| 10-834-3-01 | YES |
| 10-834-3-03 | YES |
| 10-834-3-035 | YES |
| 10-834-3-04 | YES |
| 10-834-3-044 | YES |
| 10-834-3-05 | NO |
| 10-834-3-088 | NO |

Continued on next page...

RoHS COMPLIANCE CONTINUED:

10-834-4-XX

| PART NUMBER | RoHS COMPLIANT |
|--------------|----------------|
| 10-834-4-01 | YES |
| 10-834-4-03 | YES |
| 10-834-4-035 | YES |
| 10-834-4-04 | YES |
| 10-834-4-044 | YES |
| 10-834-4-05 | NO |
| 10-834-4-088 | NO |

10-834-6-XX

| PART NUMBER | RoHS COMPLIANT |
|--------------|----------------|
| 10-834-6-01 | YES |
| 10-834-6-03 | YES |
| 10-834-6-035 | YES |
| 10-834-6-04 | YES |
| 10-834-6-044 | YES |
| 10-834-6-05 | NO |
| 10-834-6-088 | NO |

10-834-8-XX

| PART NUMBER | RoHS COMPLIANT |
|--------------|----------------|
| 10-834-8-01 | YES |
| 10-834-8-03 | YES |
| 10-834-8-035 | YES |
| 10-834-8-04 | YES |
| 10-834-8-044 | YES |
| 10-834-8-05 | NO |
| 10-834-8-088 | NO |

TOOLING:

| INSTALLATION TOOL: ARBOR PRESS | INSTALLATION TOOL: ANVIL (ARBOR PRESS OPERATED) | INSTALLATION TOOL: PRESS-FIT / ROLL SWAGE / RIVET PUNCH (ARBOR PRESS OPERATED) | INSTALLATION TOOL: FLARE SWAGE PUNCH (ARBOR PRESS OPERATED) |
|-----------------------------------|---|--|---|
| TM1 | TA94-50-30 | TP60-40 | TFLP90-150 |

NOTES:

| DATASHEET NOTES |
|-----------------|
|-----------------|

N/A

| INSTRUCTION NOTES |
|-------------------|
|-------------------|

SEE GENERAL SWAGING INSTALLATION INSTRUCTION ON CONCORD ELECTRONICS' WEBSITE WWW.CONCORD-ELECTRONICS.COM.