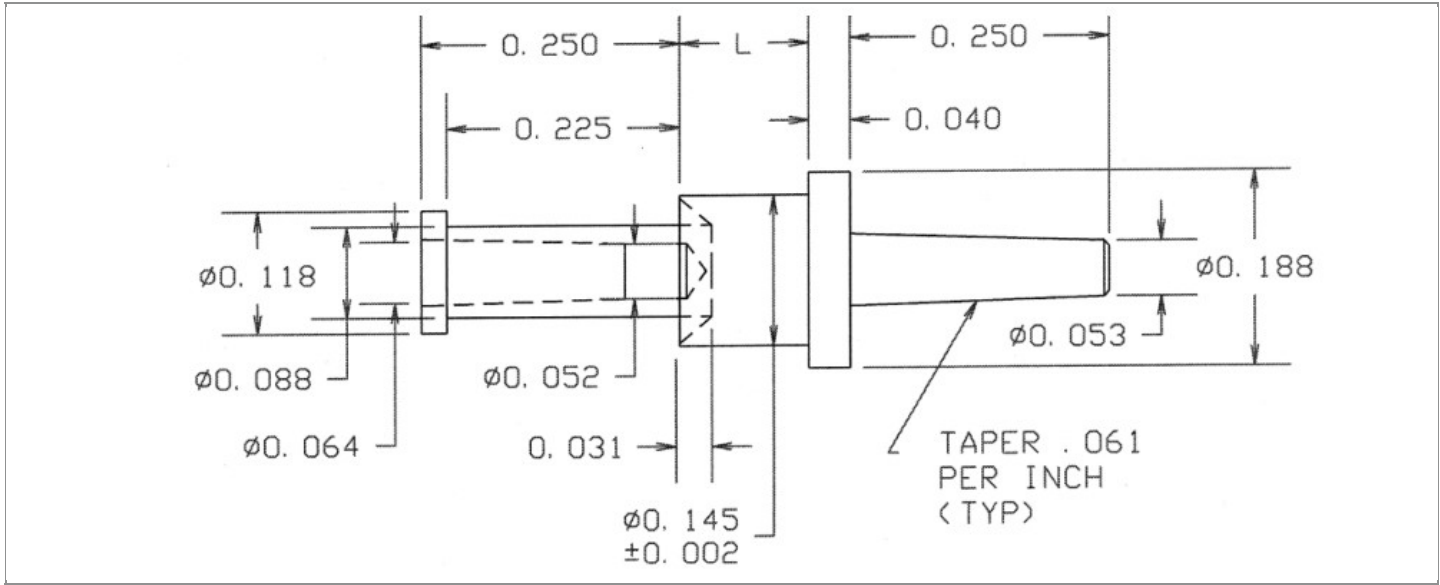


<b>DRAWING NUMBER:</b>	<b>10-824-X-XX</b>
<b>PRODUCT GROUP:</b>	TERMINALS
<b>SUB-GROUP:</b>	COMMERCIAL NON-INSULATED TERMINALS
<b>DESCRIPTION:</b>	NON-INSULATED FEED THRU TAPERED SOCKET TERMINAL



BOARD / PANEL MOUNTING METHOD	MOUNTING HOLE SIZE	DRILL SIZE	FEED THRU COMBINATION
SWAGE MOUNT	0.147" ± 0.001	#26	TURRET/TAPER PIN

**PART NO. STRUCTURE:**

10-824 - X - XX  
 PART SERIES    DIMENSION    FINISH

**MATERIAL OPTIONS:**

10-824-X-XX

COMPONENT	MATERIAL	MATERIAL AND SPECIFICATION
TERMINAL	BRASS	BRASS PER ASTM B16, ALLOY C36000, 1/2 HARD

**DIMENSION OPTIONS:**

10-824-X-XX

DIMENSION	A	D	PIN DIAMETER	OVERALL LENGTH	SHANK LENGTH (L)	BOARD/PANEL THICKNESS
1	N/A	N/A	0.053" (TAPER)	0.602"	0.062"	1/32"
2	N/A	N/A	0.053" (TAPER)	0.634"	0.094"	1/16"
3	N/A	N/A	0.053" (TAPER)	0.665"	0.125"	3/32"
4	N/A	N/A	0.053" (TAPER)	0.696"	0.156"	1/8"
6	N/A	N/A	0.053" (TAPER)	0.759"	0.219"	3/16"
8	N/A	N/A	0.053" (TAPER)	0.821"	0.281"	1/4"

FINISH - PLATING OPTIONS:

10-824-X-XX

FINISH CODE	COMPONENT	FINISH	FINISH AND SPECIFICATION
01	TERMINAL	SILVER	0.000300"MIN. SILVER PER ASTM B700, TYPE 2, GRADE D WITH A NON-CHROMATE PRESERVATIVE TREATMENT
03	TERMINAL	GOLD	0.000010"MIN. GOLD PER ASTM B488, TYPE II, CODE C OVER 0.000050"MIN. NICKEL PER SAE-AMS-QQ-N-290
035	TERMINAL	GOLD	0.000050"MIN. GOLD PER ASTM B488, TYPE II, CODE C OVER 0.000050"MIN. NICKEL PER SAE-AMS-QQ-N-290
04	TERMINAL	ELECTRO-TIN	0.000300"MIN. ELECTRO-TIN PER ASTM B545 OVER 0.000100"MIN. COPPER PER SAE-AMS-2418
044	TERMINAL	BRIGHT ELECTRO-TIN	0.000300"MIN. BRIGHT ELECTRO-TIN PER ASTM B545 OVER 0.000100"MIN. COPPER PER SAE-AMS-2418
05	TERMINAL	ELECTRO-SOLDER	0.000300"MIN. ELECTRO-SOLDER PER SAE-AMS-P-81728 OVER 0.000100"MIN. COPPER PER SAE-AMS-2418
088	TERMINAL	BRIGHT TIN-LEAD	0.000300"MIN. BRIGHT TIN-LEAD (Sn93%-Pb7%) PER ASTM B545 OVER 0.000100"MIN. COPPER PER SAE-AMS-2418

TOLERANCES:\*

DECIMAL	FRACTIONAL	ANGULAR	DRAWING ORIGATION DATE	LAST MODIFICATION DATE
± 0.005	± 1/64	± 5 °	5/2/2000	3/1/2017

\*All dimensions are in inches.

RoHS COMPLIANCE:

10-824-1-XX

PART NUMBER	RoHS COMPLIANT
10-824-1-01	YES
10-824-1-03	YES
10-824-1-035	YES
10-824-1-04	YES
10-824-1-044	YES
10-824-1-05	NO
10-824-1-088	NO

10-824-2-XX

PART NUMBER	RoHS COMPLIANT
10-824-2-01	YES
10-824-2-03	YES
10-824-2-035	YES
10-824-2-04	YES
10-824-2-044	YES
10-824-2-05	NO
10-824-2-088	NO

10-824-3-XX

PART NUMBER	RoHS COMPLIANT
10-824-3-01	YES
10-824-3-03	YES
10-824-3-035	YES
10-824-3-04	YES
10-824-3-044	YES
10-824-3-05	NO
10-824-3-088	NO

Continued on next page...

RoHS COMPLIANCE CONTINUED:

10-824-4-XX

PART NUMBER	RoHS COMPLIANT
10-824-4-01	YES
10-824-4-03	YES
10-824-4-035	YES
10-824-4-04	YES
10-824-4-044	YES
10-824-4-05	NO
10-824-4-088	NO

10-824-6-XX

PART NUMBER	RoHS COMPLIANT
10-824-6-01	YES
10-824-6-03	YES
10-824-6-035	YES
10-824-6-04	YES
10-824-6-044	YES
10-824-6-05	NO
10-824-6-088	NO

10-824-8-XX

PART NUMBER	RoHS COMPLIANT
10-824-8-01	YES
10-824-8-03	YES
10-824-8-035	YES
10-824-8-04	YES
10-824-8-044	YES
10-824-8-05	NO
10-824-8-088	NO

TOOLING:

INSTALLATION TOOL: ARBOR PRESS	INSTALLATION TOOL: ANVIL (ARBOR PRESS OPERATED)	INSTALLATION TOOL: PRESS-FIT / ROLL SWAGE / RIVET PUNCH (ARBOR PRESS OPERATED)	INSTALLATION TOOL: FLARE SWAGE PUNCH (ARBOR PRESS OPERATED)
TM1	TA188-70-40	TP145-T118	N/A

NOTES:

DATASHEET NOTES
N/A

INSTRUCTION NOTES
SEE GENERAL SWAGING INSTALLATION INSTRUCTION ON CONCORD ELECTRONICS' WEBSITE <a href="http://WWW.CONCORD-ELECTRONICS.COM">WWW.CONCORD-ELECTRONICS.COM</a> .