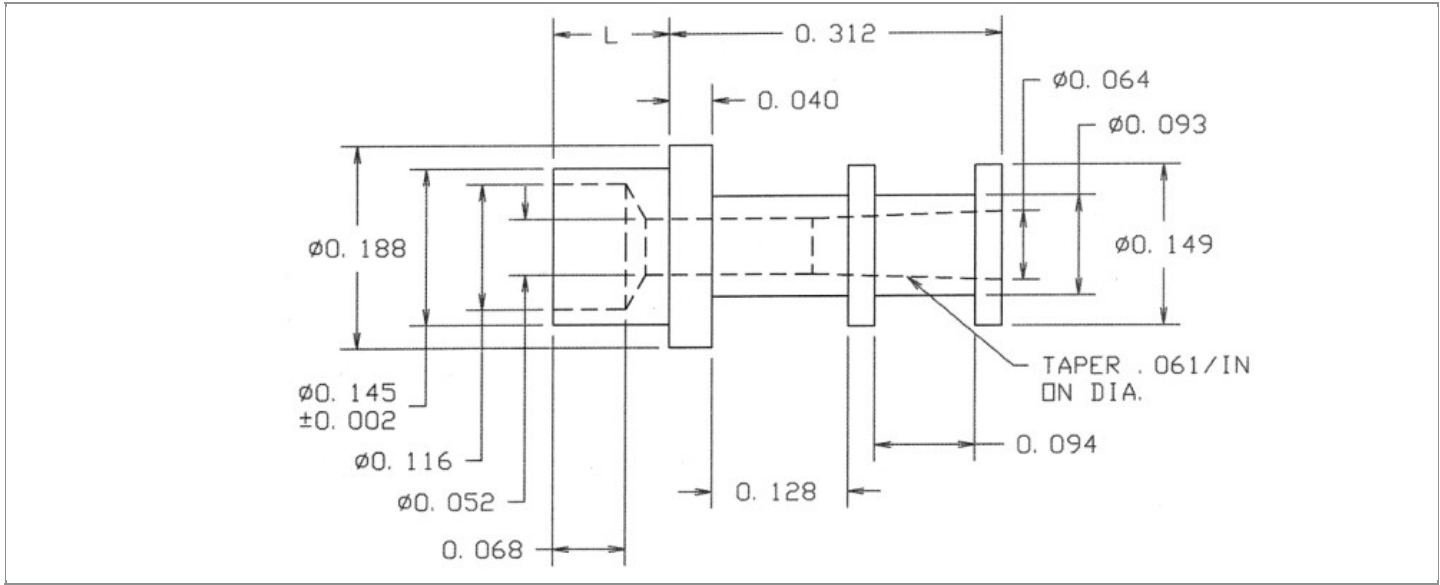


DRAWING NUMBER:	10-811-X-XX
PRODUCT GROUP:	TERMINALS
SUB-GROUP:	COMMERCIAL NON-INSULATED TERMINALS
DESCRIPTION:	NON-INSULATED TAPERED SOCKET DOUBLE TURRET TERMINAL



BOARD / PANEL MOUNTING METHOD	MOUNTING HOLE SIZE	DRILL SIZE	FEED THRU COMBINATION
SWAGE MOUNT	0.1495" ± 0.001	#25	N/A

PART NO. STRUCTURE:

10-811 - X - XX
 PART SERIES DIMENSION FINISH

MATERIAL OPTIONS:

10-811-X-XX

COMPONENT	MATERIAL	MATERIAL AND SPECIFICATION
TERMINAL	BRASS	BRASS PER ASTM B16, ALLOY C36000, 1/2 HARD

DIMENSION OPTIONS:

10-811-X-XX

DIMENSION	A	D	PIN DIAMETER	OVERALL LENGTH	SHANK LENGTH (L)	BOARD/PANEL THICKNESS
1	0.040"	0.231"	N/A	0.390"	0.078"	1/32"
2	0.068"	0.231"	N/A	0.421"	0.109"	1/16"
3	0.068"	0.200"	N/A	0.453"	0.141"	3/32"
4	0.068"	0.200"	N/A	0.484"	0.172"	1/8"
6	0.068"	0.200"	N/A	0.546"	0.234"	3/16"
8	0.068"	0.200"	N/A	0.609"	0.297"	1/4"

FINISH - PLATING OPTIONS:

10-811-X-**XX**

FINISH CODE	COMPONENT	FINISH	FINISH AND SPECIFICATION
01	TERMINAL	SILVER	0.000300"MIN. SILVER PER ASTM B700, TYPE 2, GRADE D WITH A NON-CHROMATE PRESERVATIVE TREATMENT
03	TERMINAL	GOLD	0.000010"MIN. GOLD PER ASTM B488, TYPE II, CODE C OVER 0.000050"MIN. NICKEL PER SAE-AMS-QQ-N-290
035	TERMINAL	GOLD	0.000050"MIN. GOLD PER ASTM B488, TYPE II, CODE C OVER 0.000050"MIN. NICKEL PER SAE-AMS-QQ-N-290
04	TERMINAL	ELECTRO-TIN	0.000300"MIN. ELECTRO-TIN PER ASTM B545 OVER 0.000100"MIN. COPPER PER SAE-AMS-2418
044	TERMINAL	BRIGHT ELECTRO-TIN	0.000300"MIN. BRIGHT ELECTRO-TIN PER ASTM B545 OVER 0.000100"MIN. COPPER PER SAE-AMS-2418
05	TERMINAL	ELECTRO-SOLDER	0.000300"MIN. ELECTRO-SOLDER PER SAE-AMS-P-81728 OVER 0.000100"MIN. COPPER PER SAE-AMS-2418
088	TERMINAL	BRIGHT TIN-LEAD	0.000300"MIN. BRIGHT TIN-LEAD (Sn93%-Pb7%) PER ASTM B545 OVER 0.000100"MIN. COPPER PER SAE-AMS-2418

TOLERANCES:*

DECIMAL	FRACTIONAL	ANGULAR	DRAWING ORIGATION DATE	LAST MODIFICATION DATE
± 0.005	± 1/64	± 5 °	8/2/2000	3/1/2017

*All dimensions are in inches.

RoHS COMPLIANCE:

10-811-1-XX

PART NUMBER	RoHS COMPLIANT
10-811-1-01	YES
10-811-1-03	YES
10-811-1-035	YES
10-811-1-04	YES
10-811-1-044	YES
10-811-1-05	NO
10-811-1-088	NO

10-811-2-XX

PART NUMBER	RoHS COMPLIANT
10-811-2-01	YES
10-811-2-03	YES
10-811-2-035	YES
10-811-2-04	YES
10-811-2-044	YES
10-811-2-05	NO
10-811-2-088	NO

10-811-3-XX

PART NUMBER	RoHS COMPLIANT
10-811-3-01	YES
10-811-3-03	YES
10-811-3-035	YES
10-811-3-04	YES
10-811-3-044	YES
10-811-3-05	NO
10-811-3-088	NO

Continued on next page...

RoHS COMPLIANCE CONTINUED:

10-811-4-XX

PART NUMBER	RoHS COMPLIANT
10-811-4-01	YES
10-811-4-03	YES
10-811-4-035	YES
10-811-4-04	YES
10-811-4-044	YES
10-811-4-05	NO
10-811-4-088	NO

10-811-6-XX

PART NUMBER	RoHS COMPLIANT
10-811-6-01	YES
10-811-6-03	YES
10-811-6-035	YES
10-811-6-04	YES
10-811-6-044	YES
10-811-6-05	NO
10-811-6-088	NO

10-811-8-XX

PART NUMBER	RoHS COMPLIANT
10-811-8-01	YES
10-811-8-03	YES
10-811-8-035	YES
10-811-8-04	YES
10-811-8-044	YES
10-811-8-05	NO
10-811-8-088	NO

TOOLING:

INSTALLATION TOOL: ARBOR PRESS	INSTALLATION TOOL: ANVIL (ARBOR PRESS OPERATED)	INSTALLATION TOOL: PRESS-FIT / ROLL SWAGE / RIVET PUNCH (ARBOR PRESS OPERATED)	INSTALLATION TOOL: FLARE SWAGE PUNCH (ARBOR PRESS OPERATED)
TM1	TA188-149-40	TP145-116	TFLP90-225

NOTES:

DATASHEET NOTES

N/A

INSTRUCTION NOTES

SEE GENERAL SWAGING INSTALLATION INSTRUCTION ON CONCORD ELECTRONICS' WEBSITE WWW.CONCORD-ELECTRONICS.COM.