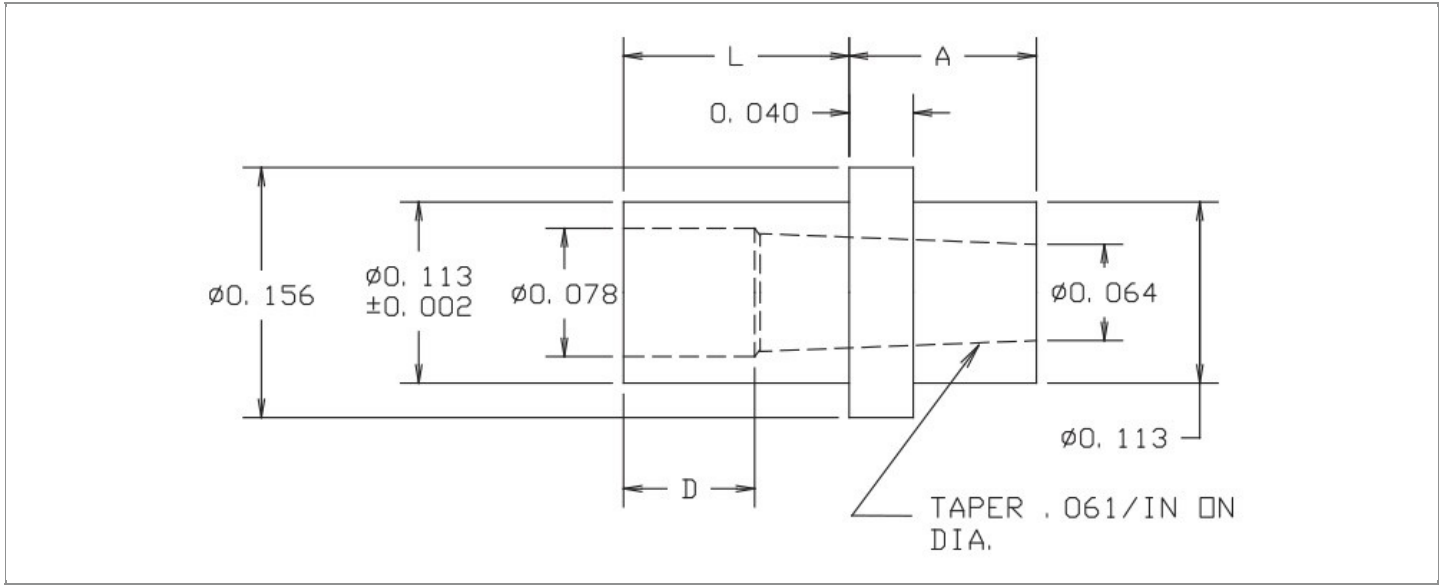


<b>DRAWING NUMBER:</b>	<b>10-809-X-XX</b>
<b>PRODUCT GROUP:</b>	TERMINALS
<b>SUB-GROUP:</b>	COMMERCIAL NON-INSULATED TERMINALS
<b>DESCRIPTION:</b>	NON-INSULATED TAPERED SOCKET THRU-HOLE TERMINAL



BOARD / PANEL MOUNTING METHOD	MOUNTING HOLE SIZE	DRILL SIZE	FEED THRU COMBINATION
SWAGE MOUNT	0.116" ± 0.001	#32	N/A

**PART NO. STRUCTURE:**

10-809 - X - XX  
 PART SERIES    DIMENSION    FINISH

**MATERIAL OPTIONS:**

10-809-X-XX

COMPONENT	MATERIAL	MATERIAL AND SPECIFICATION
TERMINAL	BRASS	BRASS PER ASTM B16, ALLOY C36000, 1/2 HARD

**DIMENSION OPTIONS:**

10-809-X-XX

DIMENSION	A	D	PIN DIAMETER	OVERALL LENGTH	SHANK LENGTH (L)	BOARD/PANEL THICKNESS
1	0.180"	0.082"	N/A	0.258"	0.078"	1/32"
2	0.149"	0.082"	N/A	0.258"	0.109"	1/16"
3	0.117"	0.082"	N/A	0.258"	0.141"	3/32"
4	0.086"	0.082"	N/A	0.258"	0.172"	1/8"
6	0.086"	0.144"	N/A	0.320"	0.234"	3/16"
8	0.086"	0.207"	N/A	0.383"	0.297"	1/4"

FINISH - PLATING OPTIONS:

10-809-X-**XX**

FINISH CODE	COMPONENT	FINISH	FINISH AND SPECIFICATION
01	TERMINAL	SILVER	0.000300"MIN. SILVER PER ASTM B700, TYPE 2, GRADE D WITH A NON-CHROMATE PRESERVATIVE TREATMENT
03	TERMINAL	GOLD	0.000010"MIN. GOLD PER ASTM B488, TYPE II, CODE C OVER 0.000050"MIN. NICKEL PER SAE-AMS-QQ-N-290
035	TERMINAL	GOLD	0.000050"MIN. GOLD PER ASTM B488, TYPE II, CODE C OVER 0.000050"MIN. NICKEL PER SAE-AMS-QQ-N-290
04	TERMINAL	ELECTRO-TIN	0.000300"MIN. ELECTRO-TIN PER ASTM B545 OVER 0.000100"MIN. COPPER PER SAE-AMS-2418
044	TERMINAL	BRIGHT ELECTRO-TIN	0.000300"MIN. BRIGHT ELECTRO-TIN PER ASTM B545 OVER 0.000100"MIN. COPPER PER SAE-AMS-2418
05	TERMINAL	ELECTRO-SOLDER	0.000300"MIN. ELECTRO-SOLDER PER SAE-AMS-P-81728 OVER 0.000100"MIN. COPPER PER SAE-AMS-2418
088	TERMINAL	BRIGHT TIN-LEAD	0.000300"MIN. BRIGHT TIN-LEAD (Sn93%-Pb7%) PER ASTM B545 OVER 0.000100"MIN. COPPER PER SAE-AMS-2418

TOLERANCES:\*

DECIMAL	FRACTIONAL	ANGULAR	DRAWING ORIGATION DATE	LAST MODIFICATION DATE
± 0.005	± 1/64	± 5 °	4/10/2001	3/1/2017

\*All dimensions are in inches.

RoHS COMPLIANCE:

10-809-1-XX

PART NUMBER	RoHS COMPLIANT
10-809-1-01	YES
10-809-1-03	YES
10-809-1-035	YES
10-809-1-04	YES
10-809-1-044	YES
10-809-1-05	NO
10-809-1-088	NO

10-809-2-XX

PART NUMBER	RoHS COMPLIANT
10-809-2-01	YES
10-809-2-03	YES
10-809-2-035	YES
10-809-2-04	YES
10-809-2-044	YES
10-809-2-05	NO
10-809-2-088	NO

10-809-3-XX

PART NUMBER	RoHS COMPLIANT
10-809-3-01	YES
10-809-3-03	YES
10-809-3-035	YES
10-809-3-04	YES
10-809-3-044	YES
10-809-3-05	NO
10-809-3-088	NO

Continued on next page...

RoHS COMPLIANCE CONTINUED:

10-809-4-XX

PART NUMBER	RoHS COMPLIANT
10-809-4-01	YES
10-809-4-03	YES
10-809-4-035	YES
10-809-4-04	YES
10-809-4-044	YES
10-809-4-05	NO
10-809-4-088	NO

10-809-6-XX

PART NUMBER	RoHS COMPLIANT
10-809-6-01	YES
10-809-6-03	YES
10-809-6-035	YES
10-809-6-04	YES
10-809-6-044	YES
10-809-6-05	NO
10-809-6-088	NO

10-809-8-XX

PART NUMBER	RoHS COMPLIANT
10-809-8-01	YES
10-809-8-03	YES
10-809-8-035	YES
10-809-8-04	YES
10-809-8-044	YES
10-809-8-05	NO
10-809-8-088	NO

TOOLING:

INSTALLATION TOOL: ARBOR PRESS	INSTALLATION TOOL: ANVIL (ARBOR PRESS OPERATED)	INSTALLATION TOOL: PRESS-FIT / ROLL SWAGE / RIVET PUNCH (ARBOR PRESS OPERATED)	INSTALLATION TOOL: FLARE SWAGE PUNCH (ARBOR PRESS OPERATED)
TM1	TA156-113-40	TP112-78	TFLP90-200

NOTES:

DATASHEET NOTES
-----------------

N/A

INSTRUCTION NOTES
-------------------

SEE GENERAL SWAGING INSTALLATION INSTRUCTION ON CONCORD ELECTRONICS' WEBSITE [WWW.CONCORD-ELECTRONICS.COM](http://WWW.CONCORD-ELECTRONICS.COM).