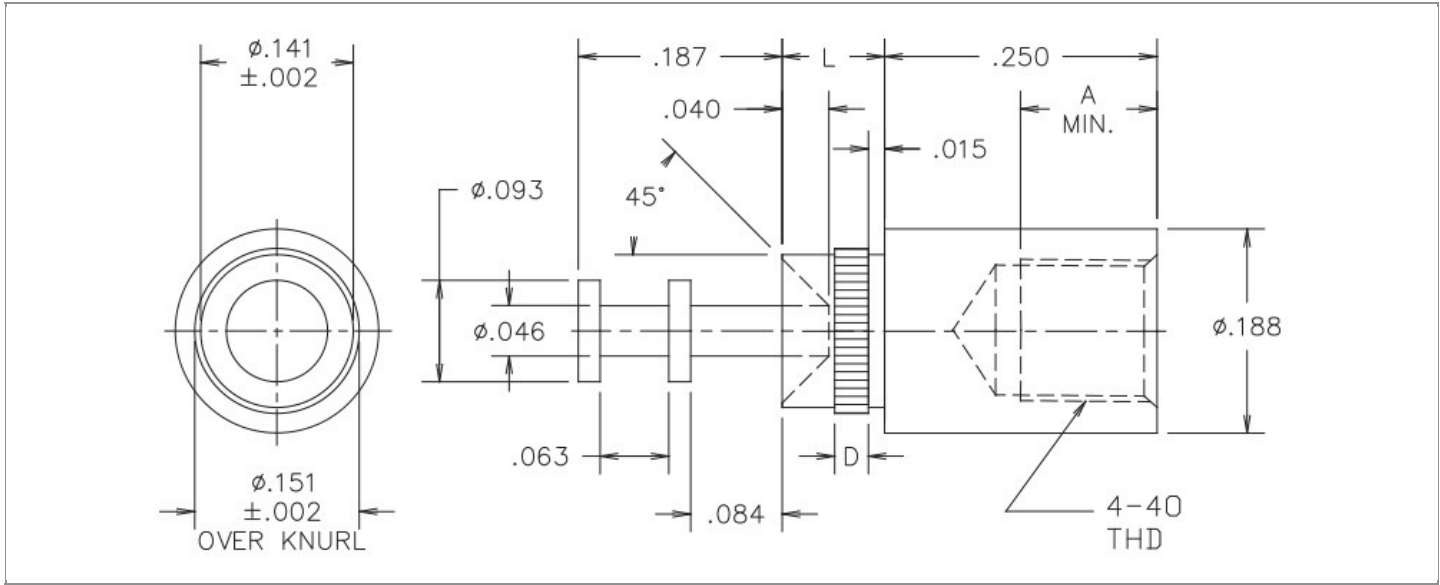


DRAWING NUMBER:	10-710-X-XX
PRODUCT GROUP:	TERMINALS
SUB-GROUP:	COMMERCIAL NON-INSULATED TERMINALS
DESCRIPTION:	NON-INSULATED FEED THRU TERMINAL



BOARD / PANEL MOUNTING METHOD	MOUNTING HOLE SIZE	DRILL SIZE	FEED THRU COMBINATION
SWAGE MOUNT	0.144" \pm 0.001	#27	DOUBLE TURRET/THREAD

PART NO. STRUCTURE:

10-710 - X - XX
 PART SERIES DIMENSION FINISH

MATERIAL OPTIONS:

10-710-X-XX

COMPONENT	MATERIAL	MATERIAL AND SPECIFICATION
TERMINAL	BRASS	BRASS PER ASTM B16, ALLOY C36000, 1/2 HARD

DIMENSION OPTIONS:

10-710-X-XX

DIMENSION	A	D	PIN DIAMETER	OVERALL LENGTH	SHANK LENGTH (L)	BOARD/PANEL THICKNESS
2	0.125"	0.031"	N/A	0.531"	0.094"	1/16"
3	0.156"	0.062"	N/A	0.562"	0.125"	3/32"
4	0.156"	0.094"	N/A	0.593"	0.156"	1/8"
6	0.156"	0.094"	N/A	0.659"	0.222"	3/16"
8	0.156"	0.094"	N/A	0.722"	0.285"	1/4"

FINISH - PLATING OPTIONS:

10-710-X-XX

FINISH CODE	COMPONENT	FINISH	FINISH AND SPECIFICATION
01	TERMINAL	SILVER	0.000300"MIN. SILVER PER ASTM B700, TYPE 2, GRADE D WITH A NON-CHROMATE PRESERVATIVE TREATMENT
03	TERMINAL	GOLD	0.000010"MIN. GOLD PER ASTM B488, TYPE II, CODE C OVER 0.000050"MIN. NICKEL PER SAE-AMS-QQ-N-290
035	TERMINAL	GOLD	0.000050"MIN. GOLD PER ASTM B488, TYPE II, CODE C OVER 0.000050"MIN. NICKEL PER SAE-AMS-QQ-N-290
04	TERMINAL	ELECTRO-TIN	0.000300"MIN. ELECTRO-TIN PER ASTM B545 OVER 0.000100"MIN. COPPER PER SAE-AMS-2418
044	TERMINAL	BRIGHT ELECTRO-TIN	0.000300"MIN. BRIGHT ELECTRO-TIN PER ASTM B545 OVER 0.000100"MIN. COPPER PER SAE-AMS-2418
05	TERMINAL	ELECTRO-SOLDER	0.000300"MIN. ELECTRO-SOLDER PER SAE-AMS-P-81728 OVER 0.000100"MIN. COPPER PER SAE-AMS-2418
088	TERMINAL	BRIGHT TIN-LEAD	0.000300"MIN. BRIGHT TIN-LEAD (Sn93%-Pb7%) PER ASTM B545 OVER 0.000100"MIN. COPPER PER SAE-AMS-2418

TOLERANCES:*

DECIMAL	FRACTIONAL	ANGULAR	DRAWING ORIGATION DATE	LAST MODIFICATION DATE
± 0.005	± 1/64	± 5 °	8/8/2000	3/1/2017

*All dimensions are in inches.

RoHS COMPLIANCE:

10-710-2-XX

PART NUMBER	RoHS COMPLIANT
10-710-2-01	YES
10-710-2-03	YES
10-710-2-035	YES
10-710-2-04	YES
10-710-2-044	YES
10-710-2-05	NO
10-710-2-088	NO

10-710-3-XX

PART NUMBER	RoHS COMPLIANT
10-710-3-01	YES
10-710-3-03	YES
10-710-3-035	YES
10-710-3-04	YES
10-710-3-044	YES
10-710-3-05	NO
10-710-3-088	NO

10-710-4-XX

PART NUMBER	RoHS COMPLIANT
10-710-4-01	YES
10-710-4-03	YES
10-710-4-035	YES
10-710-4-04	YES
10-710-4-044	YES
10-710-4-05	NO
10-710-4-088	NO

Continued on next page...

RoHS COMPLIANCE CONTINUED:

10-710-6-XX

PART NUMBER	RoHS COMPLIANT
10-710-6-01	YES
10-710-6-03	YES
10-710-6-035	YES
10-710-6-04	YES
10-710-6-044	YES
10-710-6-05	NO
10-710-6-088	NO

10-710-8-XX

PART NUMBER	RoHS COMPLIANT
10-710-8-01	YES
10-710-8-03	YES
10-710-8-035	YES
10-710-8-04	YES
10-710-8-044	YES
10-710-8-05	NO
10-710-8-088	NO

TOOLING:

INSTALLATION TOOL: ARBOR PRESS	INSTALLATION TOOL: ANVIL (ARBOR PRESS OPERATED)	INSTALLATION TOOL: PRESS-FIT / ROLL SWAGE / RIVET PUNCH (ARBOR PRESS OPERATED)	INSTALLATION TOOL: FLARE SWAGE PUNCH (ARBOR PRESS OPERATED)
TM1	TA188-250	TP140-T93	N/A

NOTES:

DATASHEET NOTES

SUPPLIED (UNASSEMBLED) WITH NICKEL PLATED BRASS SCREW 4-40 AND PHOSPHOR BRONZE NICKEL PLATED INTERNAL #4 TOOTH LOCKWASHER.

INSTRUCTION NOTES

SEE GENERAL SWAGING INSTALLATION INSTRUCTION ON CONCORD ELECTRONICS' WEBSITE WWW.CONCORD-ELECTRONICS.COM.