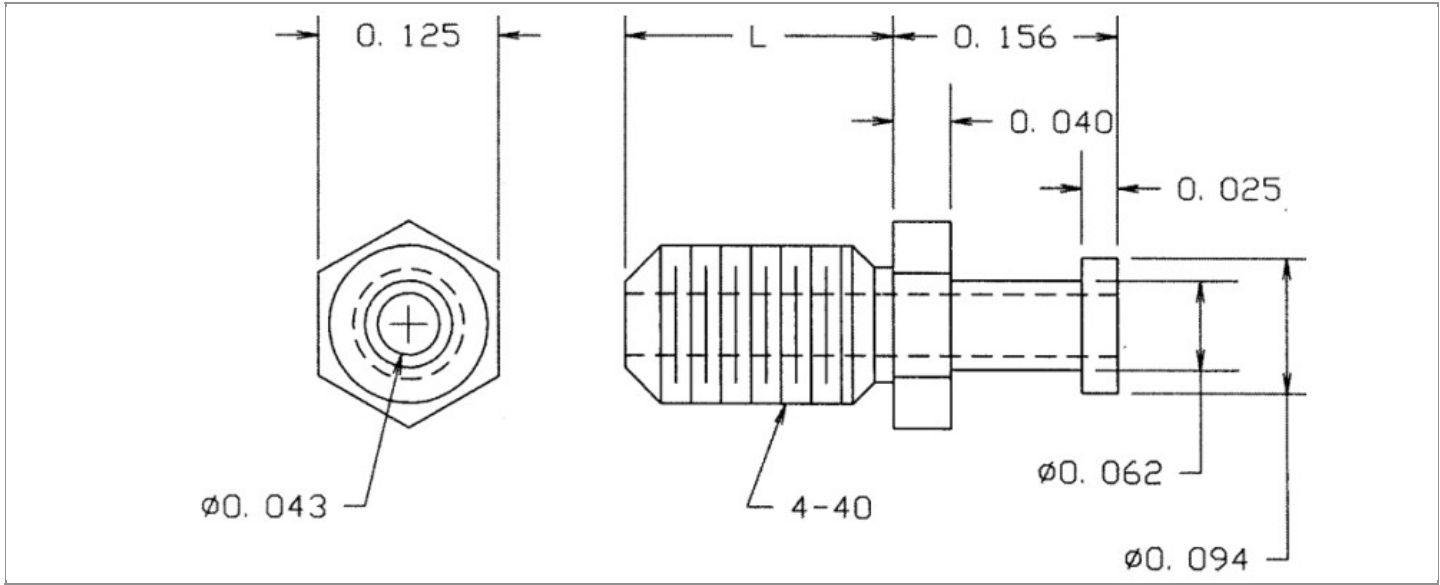


DRAWING NUMBER:	10-704-X-XX
PRODUCT GROUP:	TERMINALS
SUB-GROUP:	COMMERCIAL NON-INSULATED TERMINALS
DESCRIPTION:	NON-INSULATED THREAD MOUNT THRU-HOLE TURRET TERMINAL



BOARD / PANEL MOUNTING METHOD	MOUNTING HOLE SIZE	DRILL SIZE	FEED THRU COMBINATION
THREAD MOUNT (4-40)	4-40 THREAD	N/A	N/A

PART NO. STRUCTURE:

10-704 - X - XX
 PART SERIES DIMENSION FINISH

MATERIAL OPTIONS:

10-704-X-XX

COMPONENT	MATERIAL	MATERIAL AND SPECIFICATION
TERMINAL	BRASS	BRASS PER ASTM B16, ALLOY C36000, 1/2 HARD

DIMENSION OPTIONS:

10-704-X-XX

DIMENSION	A	D	PIN DIAMETER	OVERALL LENGTH	SHANK LENGTH (L)	BOARD/PANEL THICKNESS
3	N/A	0.094"	N/A	0.250"	N/A	N/A
4	N/A	0.125"	N/A	0.281"	N/A	N/A
6	N/A	0.187"	N/A	0.344"	N/A	N/A
8	N/A	0.250"	N/A	0.406"	N/A	N/A
10	N/A	0.312"	N/A	0.469"	N/A	N/A

FINISH - PLATING OPTIONS:

10-704-X-XX

FINISH CODE	COMPONENT	FINISH	FINISH AND SPECIFICATION
01	TERMINAL	SILVER	0.000300"MIN. SILVER PER ASTM B700, TYPE 2, GRADE D WITH A NON-CHROMATE PRESERVATIVE TREATMENT
03	TERMINAL	GOLD	0.000010"MIN. GOLD PER ASTM B488, TYPE II, CODE C OVER 0.000050"MIN. NICKEL PER SAE-AMS-QQ-N-290
035	TERMINAL	GOLD	0.000050"MIN. GOLD PER ASTM B488, TYPE II, CODE C OVER 0.000050"MIN. NICKEL PER SAE-AMS-QQ-N-290
04	TERMINAL	ELECTRO-TIN	0.000300"MIN. ELECTRO-TIN PER ASTM B545 OVER 0.000100"MIN. COPPER PER SAE-AMS-2418
044	TERMINAL	BRIGHT ELECTRO-TIN	0.000300"MIN. BRIGHT ELECTRO-TIN PER ASTM B545 OVER 0.000100"MIN. COPPER PER SAE-AMS-2418
05	TERMINAL	ELECTRO-SOLDER	0.000300"MIN. ELECTRO-SOLDER PER SAE-AMS-P-81728 OVER 0.000100"MIN. COPPER PER SAE-AMS-2418
088	TERMINAL	BRIGHT TIN-LEAD	0.000300"MIN. BRIGHT TIN-LEAD (Sn93%-Pb7%) PER ASTM B545 OVER 0.000100"MIN. COPPER PER SAE-AMS-2418

TOLERANCES:*

DECIMAL	FRACTIONAL	ANGULAR	DRAWING ORIGATION DATE	LAST MODIFICATION DATE
± 0.005	± 1/64	± 5 °	4/23/2001	3/1/2017

*All dimensions are in inches.

RoHS COMPLIANCE:

10-704-3-XX

PART NUMBER	RoHS COMPLIANT
10-704-3-01	YES
10-704-3-03	YES
10-704-3-035	YES
10-704-3-04	YES
10-704-3-044	YES
10-704-3-05	NO
10-704-3-088	NO

10-704-4-XX

PART NUMBER	RoHS COMPLIANT
10-704-4-01	YES
10-704-4-03	YES
10-704-4-035	YES
10-704-4-04	YES
10-704-4-044	YES
10-704-4-05	NO
10-704-4-088	NO

10-704-6-XX

PART NUMBER	RoHS COMPLIANT
10-704-6-01	YES
10-704-6-03	YES
10-704-6-035	YES
10-704-6-04	YES
10-704-6-044	YES
10-704-6-05	NO
10-704-6-088	NO

Continued on next page...

RoHS COMPLIANCE CONTINUED:

10-704-8-XX

PART NUMBER	RoHS COMPLIANT
10-704-8-01	YES
10-704-8-03	YES
10-704-8-035	YES
10-704-8-04	YES
10-704-8-044	YES
10-704-8-05	NO
10-704-8-088	NO

10-704-10-XX

PART NUMBER	RoHS COMPLIANT
10-704-10-01	YES
10-704-10-03	YES
10-704-10-035	YES
10-704-10-04	YES
10-704-10-044	YES
10-704-10-05	NO
10-704-10-088	NO

TOOLING:

INSTALLATION TOOL: ARBOR PRESS	INSTALLATION TOOL: ANVIL (ARBOR PRESS OPERATED)	INSTALLATION TOOL: PRESS-FIT / ROLL SWAGE / RIVET PUNCH (ARBOR PRESS OPERATED)	INSTALLATION TOOL: FLARE SWAGE PUNCH (ARBOR PRESS OPERATED)
N/A	N/A	N/A	N/A

NOTES:

DATASHEET NOTES

N/A

INSTRUCTION NOTES

N/A