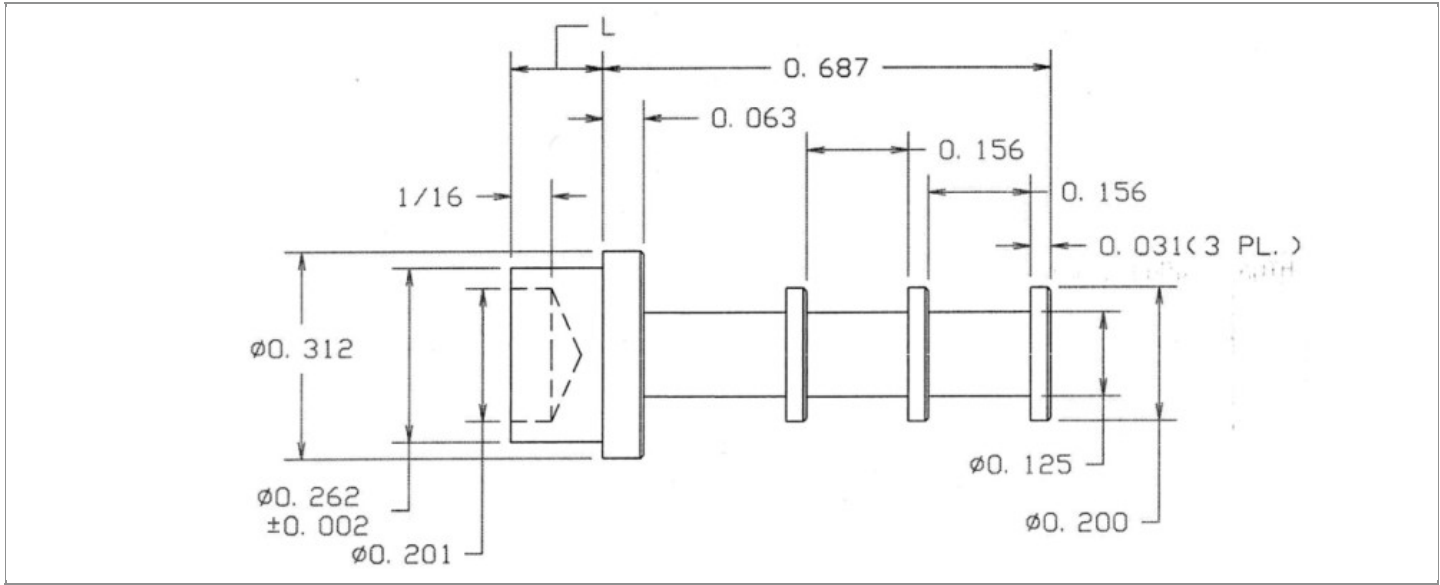


<b>DRAWING NUMBER:</b>	<b>10-604-X-XX</b>
<b>PRODUCT GROUP:</b>	TERMINALS
<b>SUB-GROUP:</b>	COMMERCIAL NON-INSULATED TERMINALS
<b>DESCRIPTION:</b>	NON-INSULATED TRIPLE TURRET TERMINAL



BOARD / PANEL MOUNTING METHOD	MOUNTING HOLE SIZE	DRILL SIZE	FEED THRU COMBINATION
SWAGE MOUNT	0.266" ± 0.001	H	N/A

**PART NO. STRUCTURE:**

10-604 - X - XX  
 PART SERIES    DIMENSION    FINISH

**MATERIAL OPTIONS:**

10-604-X-XX

COMPONENT	MATERIAL	MATERIAL AND SPECIFICATION
TERMINAL	BRASS	BRASS PER ASTM B16, ALLOY C36000, 1/2 HARD

**DIMENSION OPTIONS:**

10-604-X-XX

DIMENSION	A	D	PIN DIAMETER	OVERALL LENGTH	SHANK LENGTH (L)	BOARD/PANEL THICKNESS
2	N/A	N/A	N/A	0.796"	0.109"	1/16"
3	N/A	N/A	N/A	0.828"	0.141"	3/32"
4	N/A	N/A	N/A	0.859"	0.172"	1/8"
6	N/A	N/A	N/A	0.921"	0.234"	3/16"
8	N/A	N/A	N/A	0.984"	0.297"	1/4"

FINISH - PLATING OPTIONS:

10-604-X-**XX**

FINISH CODE	COMPONENT	FINISH	FINISH AND SPECIFICATION
01	TERMINAL	SILVER	0.000300"MIN. SILVER PER ASTM B700, TYPE 2, GRADE D WITH A NON-CHROMATE PRESERVATIVE TREATMENT
03	TERMINAL	GOLD	0.000010"MIN. GOLD PER ASTM B488, TYPE II, CODE C OVER 0.000050"MIN. NICKEL PER SAE-AMS-QQ-N-290
035	TERMINAL	GOLD	0.000050"MIN. GOLD PER ASTM B488, TYPE II, CODE C OVER 0.000050"MIN. NICKEL PER SAE-AMS-QQ-N-290
04	TERMINAL	ELECTRO-TIN	0.000300"MIN. ELECTRO-TIN PER ASTM B545 OVER 0.000100"MIN. COPPER PER SAE-AMS-2418
044	TERMINAL	BRIGHT ELECTRO-TIN	0.000300"MIN. BRIGHT ELECTRO-TIN PER ASTM B545 OVER 0.000100"MIN. COPPER PER SAE-AMS-2418
05	TERMINAL	ELECTRO-SOLDER	0.000300"MIN. ELECTRO-SOLDER PER SAE-AMS-P-81728 OVER 0.000100"MIN. COPPER PER SAE-AMS-2418
088	TERMINAL	BRIGHT TIN-LEAD	0.000300"MIN. BRIGHT TIN-LEAD (Sn93%-Pb7%) PER ASTM B545 OVER 0.000100"MIN. COPPER PER SAE-AMS-2418
095	TERMINAL	HOT SOLDER DIP	0.000100"MIN. HOT SOLDER DIP USING Sn60 PER IPC-J-STD-006 OVER 0.000100"MIN. COPPER PER SAE-AMS-2418

TOLERANCES:\*

DECIMAL	FRACTIONAL	ANGULAR	DRAWING ORIGATION DATE	LAST MODIFICATION DATE
± 0.005	± 1/64	± 5 °	11/15/2000	3/1/2017

\*All dimensions are in inches.

RoHS COMPLIANCE:

10-604-2-XX

PART NUMBER	RoHS COMPLIANT
10-604-2-01	YES
10-604-2-03	YES
10-604-2-035	YES
10-604-2-04	YES
10-604-2-044	YES
10-604-2-05	NO
10-604-2-088	NO
10-604-2-095	NO

10-604-3-XX

PART NUMBER	RoHS COMPLIANT
10-604-3-01	YES
10-604-3-03	YES
10-604-3-035	YES
10-604-3-04	YES
10-604-3-044	YES
10-604-3-05	NO
10-604-3-088	NO
10-604-3-095	NO

10-604-4-XX

PART NUMBER	RoHS COMPLIANT
10-604-4-01	YES
10-604-4-03	YES
10-604-4-035	YES
10-604-4-04	YES
10-604-4-044	YES
10-604-4-05	NO
10-604-4-088	NO
10-604-4-095	NO

Continued on next page...

RoHS COMPLIANCE CONTINUED:

10-604-6-XX

PART NUMBER	RoHS COMPLIANT
10-604-6-01	YES
10-604-6-03	YES
10-604-6-035	YES
10-604-6-04	YES
10-604-6-044	YES
10-604-6-05	NO
10-604-6-088	NO
10-604-6-095	NO

10-604-8-XX

PART NUMBER	RoHS COMPLIANT
10-604-8-01	YES
10-604-8-03	YES
10-604-8-035	YES
10-604-8-04	YES
10-604-8-044	YES
10-604-8-05	NO
10-604-8-088	NO
10-604-8-095	NO

TOOLING:

INSTALLATION TOOL: ARBOR PRESS	INSTALLATION TOOL: ANVIL (ARBOR PRESS OPERATED)	INSTALLATION TOOL: PRESS-FIT / ROLL SWAGE / RIVET PUNCH (ARBOR PRESS OPERATED)	INSTALLATION TOOL: FLARE SWAGE PUNCH (ARBOR PRESS OPERATED)
TM1	TA312-200-62	TP262-201	TFLP90-350

NOTES:

DATASHEET NOTES
N/A

INSTRUCTION NOTES
SEE GENERAL SWAGING INSTALLATION INSTRUCTION ON CONCORD ELECTRONICS' WEBSITE <a href="http://WWW.CONCORD-ELECTRONICS.COM">WWW.CONCORD-ELECTRONICS.COM</a> .