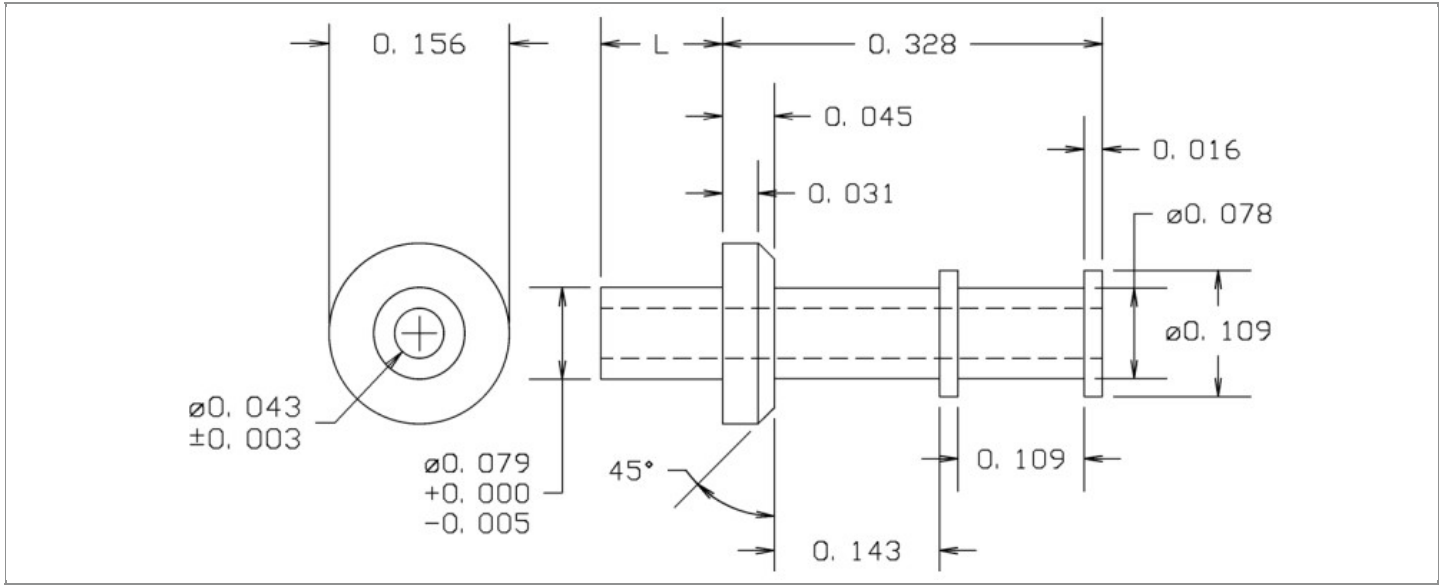


<b>DRAWING NUMBER:</b>	<b>10-312-X-XX</b>
<b>PRODUCT GROUP:</b>	TERMINALS
<b>SUB-GROUP:</b>	COMMERCIAL NON-INSULATED TERMINALS
<b>DESCRIPTION:</b>	NON-INSULATED THRU-HOLE DOUBLE TURRET TERMINAL



BOARD / PANEL MOUNTING METHOD	MOUNTING HOLE SIZE	DRILL SIZE	FEED THRU COMBINATION
SWAGE MOUNT	0.082" ± 0.001	#45	N/A

**PART NO. STRUCTURE:**

10-312 - X - XX  
 PART SERIES    DIMENSION    FINISH

**MATERIAL OPTIONS:**

10-312-X-XX

COMPONENT	MATERIAL	MATERIAL AND SPECIFICATION
TERMINAL	BRASS	BRASS PER ASTM B16, ALLOY C36000, 1/2 HARD

**DIMENSION OPTIONS:**

10-312-X-XX

DIMENSION	A	D	PIN DIAMETER	OVERALL LENGTH	SHANK LENGTH (L)	BOARD/PANEL THICKNESS
1	N/A	N/A	N/A	0.403"	0.075"	1/32"
2	N/A	N/A	N/A	0.433"	0.105"	1/16"
3	N/A	N/A	N/A	0.463"	0.135"	3/32"
4	N/A	N/A	N/A	0.493"	0.165"	1/8"
5	N/A	N/A	N/A	0.523"	0.195"	5/32"
6	N/A	N/A	N/A	0.558"	0.230"	3/16"

FINISH - PLATING OPTIONS:

10-312-X-**XX**

FINISH CODE	COMPONENT	FINISH	FINISH AND SPECIFICATION
01	TERMINAL	SILVER	0.000300"MIN. SILVER PER ASTM B700, TYPE 2, GRADE D WITH A NON-CHROMATE PRESERVATIVE TREATMENT
03	TERMINAL	GOLD	0.000010"MIN. GOLD PER ASTM B488, TYPE II, CODE C OVER 0.000050"MIN. NICKEL PER SAE-AMS-QQ-N-290
035	TERMINAL	GOLD	0.000050"MIN. GOLD PER ASTM B488, TYPE II, CODE C OVER 0.000050"MIN. NICKEL PER SAE-AMS-QQ-N-290
04	TERMINAL	ELECTRO-TIN	0.000300"MIN. ELECTRO-TIN PER ASTM B545 OVER 0.000100"MIN. COPPER PER SAE-AMS-2418
044	TERMINAL	BRIGHT ELECTRO-TIN	0.000300"MIN. BRIGHT ELECTRO-TIN PER ASTM B545 OVER 0.000100"MIN. COPPER PER SAE-AMS-2418
05	TERMINAL	ELECTRO-SOLDER	0.000300"MIN. ELECTRO-SOLDER PER SAE-AMS-P-81728 OVER 0.000100"MIN. COPPER PER SAE-AMS-2418
088	TERMINAL	BRIGHT TIN-LEAD	0.000300"MIN. BRIGHT TIN-LEAD (Sn93%-Pb7%) PER ASTM B545 OVER 0.000100"MIN. COPPER PER SAE-AMS-2418

TOLERANCES:\*

DECIMAL	FRACTIONAL	ANGULAR	DRAWING ORIGATION DATE	LAST MODIFICATION DATE
± 0.005	± 1/64	± 5 °	12/11/2001	3/1/2017

\*All dimensions are in inches.

RoHS COMPLIANCE:

10-312-1-XX

PART NUMBER	RoHS COMPLIANT
10-312-1-01	YES
10-312-1-03	YES
10-312-1-035	YES
10-312-1-04	YES
10-312-1-044	YES
10-312-1-05	NO
10-312-1-088	NO

10-312-2-XX

PART NUMBER	RoHS COMPLIANT
10-312-2-01	YES
10-312-2-03	YES
10-312-2-035	YES
10-312-2-04	YES
10-312-2-044	YES
10-312-2-05	NO
10-312-2-088	NO

10-312-3-XX

PART NUMBER	RoHS COMPLIANT
10-312-3-01	YES
10-312-3-03	YES
10-312-3-035	YES
10-312-3-04	YES
10-312-3-044	YES
10-312-3-05	NO
10-312-3-088	NO

Continued on next page...

RoHS COMPLIANCE CONTINUED:

10-312-4-XX

PART NUMBER	RoHS COMPLIANT
10-312-4-01	YES
10-312-4-03	YES
10-312-4-035	YES
10-312-4-04	YES
10-312-4-044	YES
10-312-4-05	NO
10-312-4-088	NO

10-312-5-XX

PART NUMBER	RoHS COMPLIANT
10-312-5-01	YES
10-312-5-03	YES
10-312-5-035	YES
10-312-5-04	YES
10-312-5-044	YES
10-312-5-05	NO
10-312-5-088	NO

10-312-6-XX

PART NUMBER	RoHS COMPLIANT
10-312-6-01	YES
10-312-6-03	YES
10-312-6-035	YES
10-312-6-04	YES
10-312-6-044	YES
10-312-6-05	NO
10-312-6-088	NO

TOOLING:

INSTALLATION TOOL: ARBOR PRESS	INSTALLATION TOOL: ANVIL (ARBOR PRESS OPERATED)	INSTALLATION TOOL: PRESS-FIT / ROLL SWAGE / RIVET PUNCH (ARBOR PRESS OPERATED)	INSTALLATION TOOL: FLARE SWAGE PUNCH (ARBOR PRESS OPERATED)
TM1	TA156-109-32	TP78-43	TFLP90-175

NOTES:

DATASHEET NOTES
-----------------

N/A

INSTRUCTION NOTES
-------------------

SEE GENERAL SWAGING INSTALLATION INSTRUCTION ON CONCORD ELECTRONICS' WEBSITE [WWW.CONCORD-ELECTRONICS.COM](http://WWW.CONCORD-ELECTRONICS.COM).