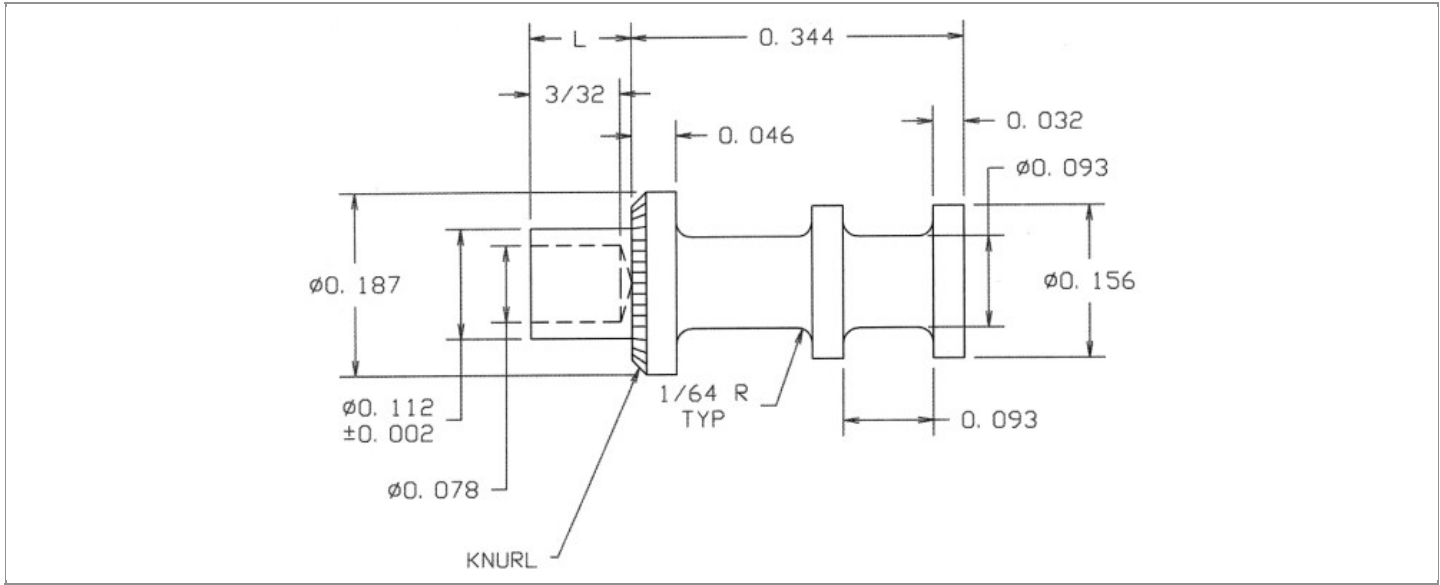


DRAWING NUMBER:	10-217-X-XX
PRODUCT GROUP:	TERMINALS
SUB-GROUP:	COMMERCIAL NON-INSULATED TERMINALS
DESCRIPTION:	NON-INSULATED KNURLED DOUBLE TURRET TERMINAL



BOARD / PANEL MOUNTING METHOD	MOUNTING HOLE SIZE	DRILL SIZE	FEED THRU COMBINATION
SWAGE MOUNT	0.116" ± 0.001	#32	N/A

PART NO. STRUCTURE:

10-217 - X - XX
 PART SERIES DIMENSION FINISH

MATERIAL OPTIONS:

10-217-X-XX

COMPONENT	MATERIAL	MATERIAL AND SPECIFICATION
TERMINAL	BRASS	BRASS PER ASTM B16, ALLOY C36000, 1/2 HARD

DIMENSION OPTIONS:

10-217-X-XX

DIMENSION	A	D	PIN DIAMETER	OVERALL LENGTH	SHANK LENGTH (L)	BOARD/PANEL THICKNESS
1	N/A	N/A	N/A	0.419"	0.075"	1/32"
2	N/A	N/A	N/A	0.449"	0.105"	1/16"
3	N/A	N/A	N/A	0.479"	0.135"	3/32"
4	N/A	N/A	N/A	0.509"	0.165"	1/8"
5	N/A	N/A	N/A	0.539"	0.195"	5/32"
6	N/A	N/A	N/A	0.574"	0.230"	3/16"

FINISH - PLATING OPTIONS:

10-217-X-**XX**

FINISH CODE	COMPONENT	FINISH	FINISH AND SPECIFICATION
01	TERMINAL	SILVER	0.000300"MIN. SILVER PER ASTM B700, TYPE 2, GRADE D WITH A NON-CHROMATE PRESERVATIVE TREATMENT
03	TERMINAL	GOLD	0.000010"MIN. GOLD PER ASTM B488, TYPE II, CODE C OVER 0.000050"MIN. NICKEL PER SAE-AMS-QQ-N-290
035	TERMINAL	GOLD	0.000050"MIN. GOLD PER ASTM B488, TYPE II, CODE C OVER 0.000050"MIN. NICKEL PER SAE-AMS-QQ-N-290
04	TERMINAL	ELECTRO-TIN	0.000300"MIN. ELECTRO-TIN PER ASTM B545 OVER 0.000100"MIN. COPPER PER SAE-AMS-2418
044	TERMINAL	BRIGHT ELECTRO-TIN	0.000300"MIN. BRIGHT ELECTRO-TIN PER ASTM B545 OVER 0.000100"MIN. COPPER PER SAE-AMS-2418
05	TERMINAL	ELECTRO-SOLDER	0.000300"MIN. ELECTRO-SOLDER PER SAE-AMS-P-81728 OVER 0.000100"MIN. COPPER PER SAE-AMS-2418
088	TERMINAL	BRIGHT TIN-LEAD	0.000300"MIN. BRIGHT TIN-LEAD (Sn93%-Pb7%) PER ASTM B545 OVER 0.000100"MIN. COPPER PER SAE-AMS-2418

TOLERANCES:*

DECIMAL	FRACTIONAL	ANGULAR	DRAWING ORIGATION DATE	LAST MODIFICATION DATE
± 0.005	± 1/64	± 5 °	8/9/2000	3/1/2017

*All dimensions are in inches.

RoHS COMPLIANCE:

10-217-1-XX

PART NUMBER	RoHS COMPLIANT
10-217-1-01	YES
10-217-1-03	YES
10-217-1-035	YES
10-217-1-04	YES
10-217-1-044	YES
10-217-1-05	NO
10-217-1-088	NO

10-217-2-XX

PART NUMBER	RoHS COMPLIANT
10-217-2-01	YES
10-217-2-03	YES
10-217-2-035	YES
10-217-2-04	YES
10-217-2-044	YES
10-217-2-05	NO
10-217-2-088	NO

10-217-3-XX

PART NUMBER	RoHS COMPLIANT
10-217-3-01	YES
10-217-3-03	YES
10-217-3-035	YES
10-217-3-04	YES
10-217-3-044	YES
10-217-3-05	NO
10-217-3-088	NO

Continued on next page...

RoHS COMPLIANCE CONTINUED:

10-217-4-XX

PART NUMBER	RoHS COMPLIANT
10-217-4-01	YES
10-217-4-03	YES
10-217-4-035	YES
10-217-4-04	YES
10-217-4-044	YES
10-217-4-05	NO
10-217-4-088	NO

10-217-5-XX

PART NUMBER	RoHS COMPLIANT
10-217-5-01	YES
10-217-5-03	YES
10-217-5-035	YES
10-217-5-04	YES
10-217-5-044	YES
10-217-5-05	NO
10-217-5-088	NO

10-217-6-XX

PART NUMBER	RoHS COMPLIANT
10-217-6-01	YES
10-217-6-03	YES
10-217-6-035	YES
10-217-6-04	YES
10-217-6-044	YES
10-217-6-05	NO
10-217-6-088	NO

TOOLING:

INSTALLATION TOOL: ARBOR PRESS	INSTALLATION TOOL: ANVIL (ARBOR PRESS OPERATED)	INSTALLATION TOOL: PRESS-FIT / ROLL SWAGE / RIVET PUNCH (ARBOR PRESS OPERATED)	INSTALLATION TOOL: FLARE SWAGE PUNCH (ARBOR PRESS OPERATED)
TM1	TA188-156-31	TP112-78	TFLP90-200

NOTES:

DATASHEET NOTES

N/A

INSTRUCTION NOTES

SEE GENERAL SWAGING INSTALLATION INSTRUCTION ON CONCORD ELECTRONICS' WEBSITE WWW.CONCORD-ELECTRONICS.COM.