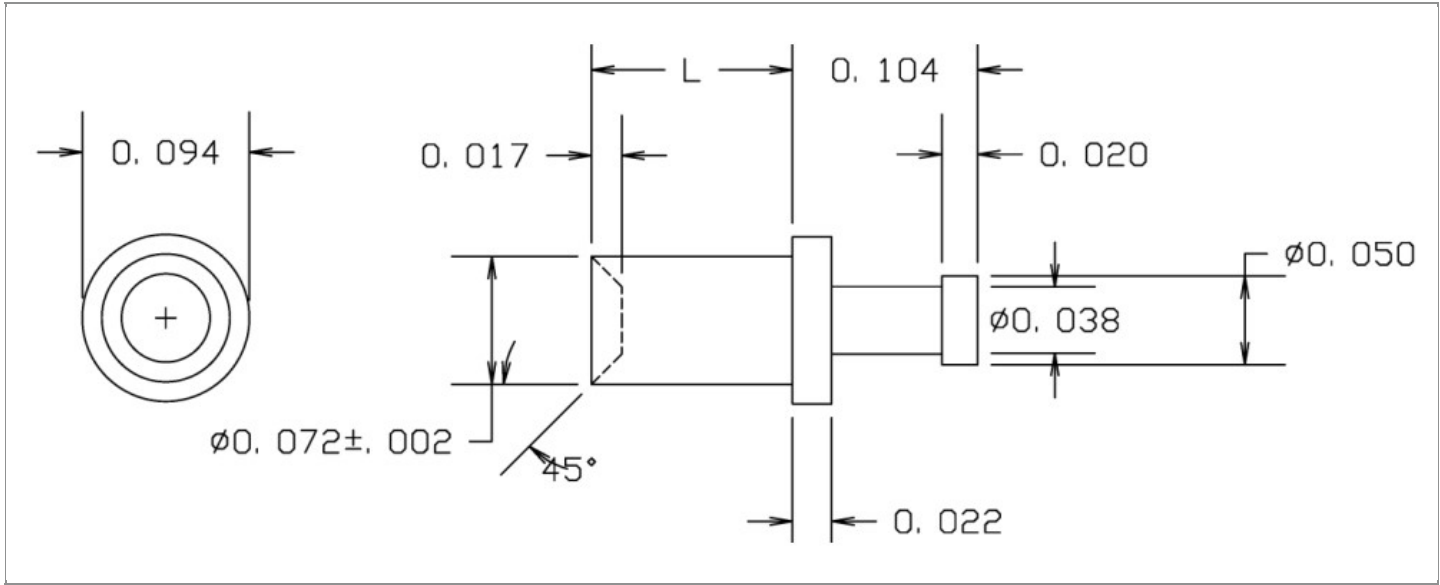


DRAWING NUMBER:	10-101-X-XX
PRODUCT GROUP:	TERMINALS
SUB-GROUP:	COMMERCIAL NON-INSULATED TERMINALS
DESCRIPTION:	NON-INSULATED TURRET TERMINAL



BOARD / PANEL MOUNTING METHOD	MOUNTING HOLE SIZE	DRILL SIZE	FEED THRU COMBINATION
SWAGE MOUNT	0.076" ± 0.001	#48	N/A

PART NO. STRUCTURE:

10-101 - X - XX
 PART SERIES DIMENSION FINISH

MATERIAL OPTIONS:

10-101-X-XX

COMPONENT	MATERIAL	MATERIAL AND SPECIFICATION
TERMINAL	BRASS	BRASS PER ASTM B16, ALLOY C36000, 1/2 HARD

DIMENSION OPTIONS:

10-101-X-XX

DIMENSION	A	D	PIN DIAMETER	OVERALL LENGTH	SHANK LENGTH (L)	BOARD/PANEL THICKNESS
1	N/A	N/A	N/A	0.155"	0.051"	1/32"
2	N/A	N/A	N/A	0.186"	0.082"	1/16"
3	N/A	N/A	N/A	0.217"	0.113"	3/32"
4	N/A	N/A	N/A	0.249"	0.145"	1/8"
6	N/A	N/A	N/A	0.311"	0.207"	3/16"
8	N/A	N/A	N/A	0.374"	0.270"	1/4"

FINISH - PLATING OPTIONS:

10-101-X-**XX**

FINISH CODE	COMPONENT	FINISH	FINISH AND SPECIFICATION
01	TERMINAL	SILVER	0.000300"MIN. SILVER PER ASTM B700, TYPE 2, GRADE D WITH A NON-CHROMATE PRESERVATIVE TREATMENT
03	TERMINAL	GOLD	0.000010"MIN. GOLD PER ASTM B488, TYPE II, CODE C OVER 0.000050"MIN. NICKEL PER SAE-AMS-QQ-N-290
035	TERMINAL	GOLD	0.000050"MIN. GOLD PER ASTM B488, TYPE II, CODE C OVER 0.000050"MIN. NICKEL PER SAE-AMS-QQ-N-290
04	TERMINAL	ELECTRO-TIN	0.000300"MIN. ELECTRO-TIN PER ASTM B545 OVER 0.000100"MIN. COPPER PER SAE-AMS-2418
044	TERMINAL	BRIGHT ELECTRO-TIN	0.000300"MIN. BRIGHT ELECTRO-TIN PER ASTM B545 OVER 0.000100"MIN. COPPER PER SAE-AMS-2418
05	TERMINAL	ELECTRO-SOLDER	0.000300"MIN. ELECTRO-SOLDER PER SAE-AMS-P-81728 OVER 0.000100"MIN. COPPER PER SAE-AMS-2418
088	TERMINAL	BRIGHT TIN-LEAD	0.000300"MIN. BRIGHT TIN-LEAD (Sn93%-Pb7%) PER ASTM B545 OVER 0.000100"MIN. COPPER PER SAE-AMS-2418
095	TERMINAL	HOT SOLDER DIP	0.000100"MIN. HOT SOLDER DIP USING Sn60 PER IPC-J-STD-006 OVER 0.000100"MIN. COPPER PER SAE-AMS-2418

TOLERANCES:*

DECIMAL	FRACTIONAL	ANGULAR	DRAWING ORIGATION DATE	LAST MODIFICATION DATE
± 0.005	± 1/64	± 5 °	9/3/1998	3/1/2017

*All dimensions are in inches.

RoHS COMPLIANCE:

10-101-1-XX

PART NUMBER	RoHS COMPLIANT
10-101-1-01	YES
10-101-1-03	YES
10-101-1-035	YES
10-101-1-04	YES
10-101-1-044	YES
10-101-1-05	NO
10-101-1-088	NO
10-101-1-095	NO

10-101-2-XX

PART NUMBER	RoHS COMPLIANT
10-101-2-01	YES
10-101-2-03	YES
10-101-2-035	YES
10-101-2-04	YES
10-101-2-044	YES
10-101-2-05	NO
10-101-2-088	NO
10-101-2-095	NO

10-101-3-XX

PART NUMBER	RoHS COMPLIANT
10-101-3-01	YES
10-101-3-03	YES
10-101-3-035	YES
10-101-3-04	YES
10-101-3-044	YES
10-101-3-05	NO
10-101-3-088	NO
10-101-3-095	NO

Continued on next page...

RoHS COMPLIANCE CONTINUED:

10-101-4-XX

PART NUMBER	RoHS COMPLIANT
10-101-4-01	YES
10-101-4-03	YES
10-101-4-035	YES
10-101-4-04	YES
10-101-4-044	YES
10-101-4-05	NO
10-101-4-088	NO
10-101-4-095	NO

10-101-6-XX

PART NUMBER	RoHS COMPLIANT
10-101-6-01	YES
10-101-6-03	YES
10-101-6-035	YES
10-101-6-04	YES
10-101-6-044	YES
10-101-6-05	NO
10-101-6-088	NO
10-101-6-095	NO

10-101-8-XX

PART NUMBER	RoHS COMPLIANT
10-101-8-01	YES
10-101-8-03	YES
10-101-8-035	YES
10-101-8-04	YES
10-101-8-044	YES
10-101-8-05	NO
10-101-8-088	NO
10-101-8-095	NO

TOOLING:

INSTALLATION TOOL: ARBOR PRESS	INSTALLATION TOOL: ANVIL (ARBOR PRESS OPERATED)	INSTALLATION TOOL: PRESS-FIT / ROLL SWAGE / RIVET PUNCH (ARBOR PRESS OPERATED)	INSTALLATION TOOL: FLARE SWAGE PUNCH (ARBOR PRESS OPERATED)
TM1	TA94-50-20	TP10-101	N/A

NOTES:

DATASHEET NOTES
N/A

INSTRUCTION NOTES
SEE GENERAL SWAGING INSTALLATION INSTRUCTION ON CONCORD ELECTRONICS' WEBSITE WWW.CONCORD-ELECTRONICS.COM .