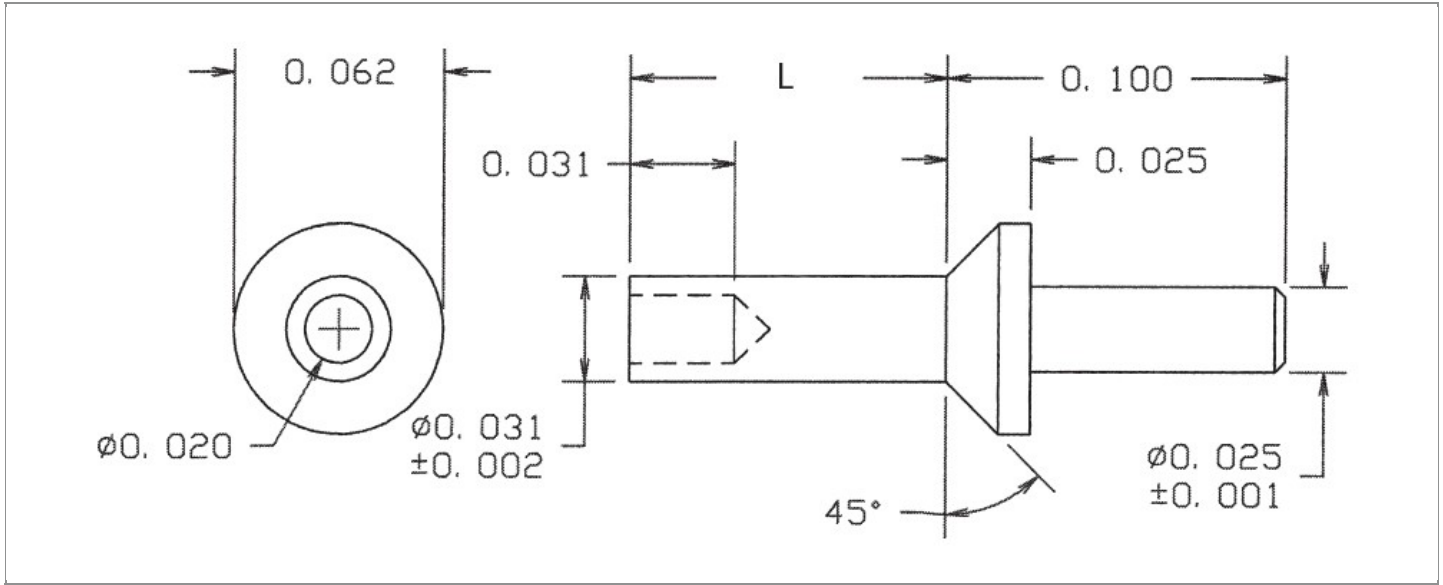


<b>DRAWING NUMBER:</b>	<b>09-8094-X-XX</b>
<b>PRODUCT GROUP:</b>	TERMINALS
<b>SUB-GROUP:</b>	COMMERCIAL NON-INSULATED TERMINALS
<b>DESCRIPTION:</b>	NON-INSULATED PC PIN TERMINAL



BOARD / PANEL MOUNTING METHOD	MOUNTING HOLE SIZE	DRILL SIZE	FEED THRU COMBINATION
SWAGE MOUNT	0.035" ± 0.001	#65	N/A

**PART NO. STRUCTURE:**

09-8094 - X - XX  
 PART SERIES    DIMENSION    FINISH

**MATERIAL OPTIONS:**

09-8094-X-XX

COMPONENT	MATERIAL	MATERIAL AND SPECIFICATION
TERMINAL	BRASS	BRASS PER ASTM B16, ALLOY C36000, 1/2 HARD

**DIMENSION OPTIONS:**

09-8094-X-XX

DIMENSION	A	D	PIN DIAMETER	OVERALL LENGTH	SHANK LENGTH (L)	BOARD/PANEL THICKNESS
1	N/A	N/A	0.025" ± 0.001	0.162"	0.062"	1/32"
2A	N/A	N/A	0.025" ± 0.001	0.182"	0.082"	1/16"
2	N/A	N/A	0.025" ± 0.001	0.194"	0.094"	1/16"
5	N/A	N/A	0.025" ± 0.001	0.287"	0.187"	5/32"

FINISH - PLATING OPTIONS:

09-8094-X-**XX**

FINISH CODE	COMPONENT	FINISH	FINISH AND SPECIFICATION
01	TERMINAL	SILVER	0.000300"MIN. SILVER PER ASTM B700, TYPE 2, GRADE D WITH A NON-CHROMATE PRESERVATIVE TREATMENT
03	TERMINAL	GOLD	0.000010"MIN. GOLD PER ASTM B488, TYPE II, CODE C OVER 0.000050"MIN. NICKEL PER SAE-AMS-QQ-N-290
035	TERMINAL	GOLD	0.000050"MIN. GOLD PER ASTM B488, TYPE II, CODE C OVER 0.000050"MIN. NICKEL PER SAE-AMS-QQ-N-290
04	TERMINAL	ELECTRO-TIN	0.000300"MIN. ELECTRO-TIN PER ASTM B545 OVER 0.000100"MIN. COPPER PER SAE-AMS-2418
044	TERMINAL	BRIGHT ELECTRO-TIN	0.000300"MIN. BRIGHT ELECTRO-TIN PER ASTM B545 OVER 0.000100"MIN. COPPER PER SAE-AMS-2418
05	TERMINAL	ELECTRO-SOLDER	0.000300"MIN. ELECTRO-SOLDER PER SAE-AMS-P-81728 OVER 0.000100"MIN. COPPER PER SAE-AMS-2418
088	TERMINAL	BRIGHT TIN-LEAD	0.000300"MIN. BRIGHT TIN-LEAD (Sn93%-Pb7%) PER ASTM B545 OVER 0.000100"MIN. COPPER PER SAE-AMS-2418

TOLERANCES:\*

DECIMAL	FRACTIONAL	ANGULAR	DRAWING ORIGATION DATE	LAST MODIFICATION DATE
± 0.003	± 0.010	± 5 °	8/31/1989	3/1/2017

\*All dimensions are in inches.

RoHS COMPLIANCE:

09-8094-1-XX

PART NUMBER	RoHS COMPLIANT
09-8094-1-01	YES
09-8094-1-03	YES
09-8094-1-035	YES
09-8094-1-04	YES
09-8094-1-044	YES
09-8094-1-05	NO
09-8094-1-088	NO

09-8094-2A-XX

PART NUMBER	RoHS COMPLIANT
09-8094-2A-01	YES
09-8094-2A-03	YES
09-8094-2A-035	YES
09-8094-2A-04	YES
09-8094-2A-044	YES
09-8094-2A-05	NO
09-8094-2A-088	NO

09-8094-2-XX

PART NUMBER	RoHS COMPLIANT
09-8094-2-01	YES
09-8094-2-03	YES
09-8094-2-035	YES
09-8094-2-04	YES
09-8094-2-044	YES
09-8094-2-05	NO
09-8094-2-088	NO

Continued on next page...

RoHS COMPLIANCE CONTINUED:

09-8094-5-XX

PART NUMBER	RoHS COMPLIANT
09-8094-5-01	YES
09-8094-5-03	YES
09-8094-5-035	YES
09-8094-5-04	YES
09-8094-5-044	YES
09-8094-5-05	NO
09-8094-5-088	NO

TOOLING:

INSTALLATION TOOL: ARBOR PRESS	INSTALLATION TOOL: ANVIL (ARBOR PRESS OPERATED)	INSTALLATION TOOL: PRESS-FIT / ROLL SWAGE / RIVET PUNCH (ARBOR PRESS OPERATED)	INSTALLATION TOOL: FLARE SWAGE PUNCH (ARBOR PRESS OPERATED)
TM1	TA62-25-10	TP30-20	TFLP90-150

NOTES:

DATASHEET NOTES
-----------------

N/A

INSTRUCTION NOTES
-------------------

SEE GENERAL SWAGING INSTALLATION INSTRUCTION ON CONCORD ELECTRONICS' WEBSITE [WWW.CONCORD-ELECTRONICS.COM](http://WWW.CONCORD-ELECTRONICS.COM).