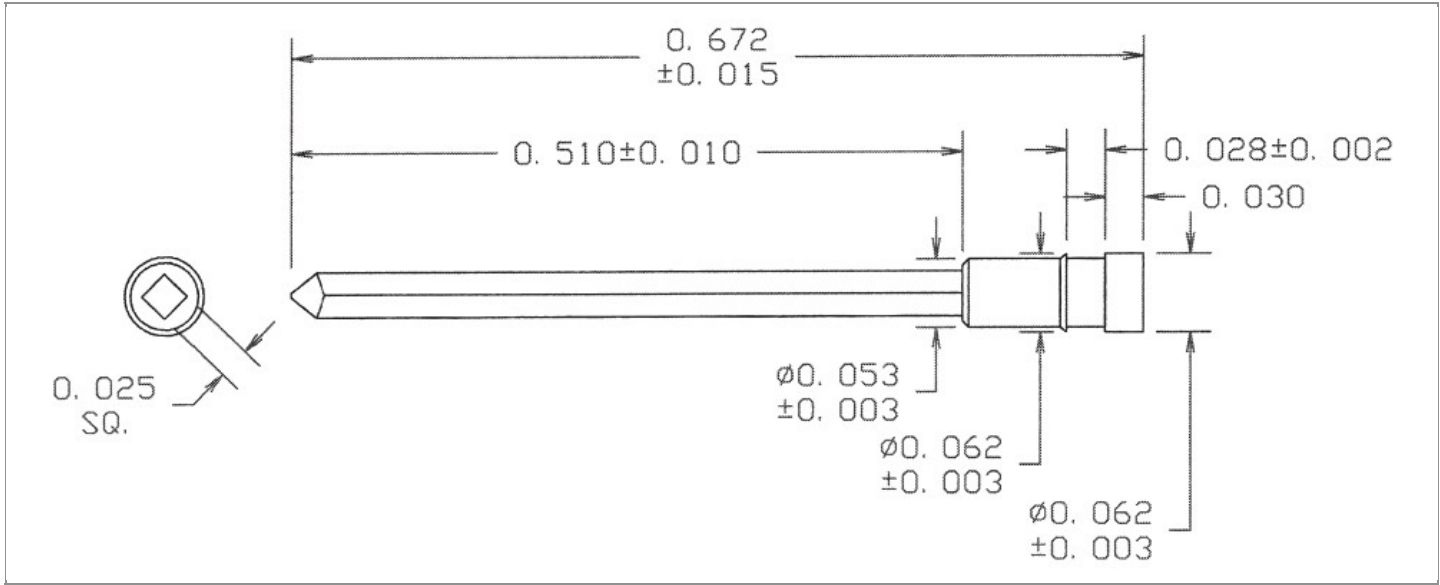


| | |
|------------------------|---|
| DRAWING NUMBER: | 09-6011-X-XX |
| PRODUCT GROUP: | TERMINALS |
| SUB-GROUP: | COMMERCIAL NON-INSULATED TERMINALS |
| DESCRIPTION: | NON-INSULATED SQUARE-WRAP PC PIN TERMINAL |



| BOARD / PANEL MOUNTING METHOD | MOUNTING HOLE SIZE | DRILL SIZE | FEED THRU COMBINATION |
|-------------------------------|--------------------|------------|-----------------------|
| PRESS FIT/SOLDER | 0.059" ± 0.001 | #53 | N/A |

PART NO. STRUCTURE:

09-6011 - 2 - XX
 PART SERIES DIMENSION FINISH

MATERIAL OPTIONS:

09-6011-2-XX

| COMPONENT | MATERIAL | MATERIAL AND SPECIFICATION |
|-----------|----------|--|
| TERMINAL | BRASS | BRASS PER ASTM B16, ALLOY C36000, 1/2 HARD |

DIMENSION OPTIONS:

09-6011-2-XX

| DIMENSION | A | D | PIN DIAMETER | OVERALL LENGTH | SHANK LENGTH (L) | BOARD/PANEL THICKNESS |
|-----------|-----|-----|--------------------|----------------|------------------|-----------------------|
| 2 | N/A | N/A | 0.025" SQ. ± 0.001 | 0.672" | 0.132" | 1/16 TO 3/32" |

FINISH - PLATING OPTIONS:

09-6011-2-XX

| FINISH CODE | COMPONENT | FINISH | FINISH AND SPECIFICATION |
|-------------|-----------|--------------------|---|
| 01 | TERMINAL | SILVER | 0.000300"MIN. SILVER PER ASTM B700, TYPE 2, GRADE D WITH A NON-CHROMATE PRESERVATIVE TREATMENT |
| 03 | TERMINAL | GOLD | 0.000010"MIN. GOLD PER ASTM B488, TYPE II, CODE C OVER 0.000100"MIN. NICKEL PER SAE-AMS-QQ-N-290 |
| 035 | TERMINAL | GOLD | 0.000050"MIN. GOLD PER ASTM B488, TYPE II, CODE C OVER 0.000100"MIN. NICKEL PER SAE-AMS-QQ-N-290 |
| 04 | TERMINAL | ELECTRO-TIN | 0.000300"MIN. ELECTRO-TIN PER ASTM B545 OVER 0.000100"MIN. COPPER PER SAE-AMS-2418 |
| 044 | TERMINAL | BRIGHT ELECTRO-TIN | 0.000300"MIN. BRIGHT ELECTRO-TIN PER ASTM B545 OVER 0.000100"MIN. COPPER PER SAE-AMS-2418 |
| 05 | TERMINAL | ELECTRO-SOLDER | 0.000300"MIN. ELECTRO-SOLDER PER SAE-AMS-P-81728 OVER 0.000100"MIN. COPPER PER SAE-AMS-2418 |
| 088 | TERMINAL | BRIGHT TIN-LEAD | 0.000300"MIN. BRIGHT TIN-LEAD (Sn93%-Pb7%) PER ASTM B545 OVER 0.000100"MIN. COPPER PER SAE-AMS-2418 |

TOLERANCES:*

| DECIMAL | FRACTIONAL | ANGULAR | DRAWING ORIGATION DATE | LAST MODIFICATION DATE |
|---------|------------|---------|------------------------|------------------------|
| ± 0.005 | ± 1/64 | ± 5 ° | 6/24/2002 | 3/1/2017 |

*All dimensions are in inches.

RoHS COMPLIANCE:

09-6011-2-XX

| PART NUMBER | RoHS COMPLIANT |
|---------------|----------------|
| 09-6011-2-01 | YES |
| 09-6011-2-03 | YES |
| 09-6011-2-035 | YES |
| 09-6011-2-04 | YES |
| 09-6011-2-044 | YES |
| 09-6011-2-05 | NO |
| 09-6011-2-088 | NO |

TOOLING:

| INSTALLATION TOOL: ARBOR PRESS | INSTALLATION TOOL: ANVIL (ARBOR PRESS OPERATED) | INSTALLATION TOOL: PRESS-FIT / ROLL SWAGE / RIVET PUNCH (ARBOR PRESS OPERATED) | INSTALLATION TOOL: FLARE SWAGE PUNCH (ARBOR PRESS OPERATED) |
|-----------------------------------|---|--|---|
| TM1 | TA09-6010 | TPI09-6010 | N/A |

NOTES:

| DATASHEET NOTES |
|-----------------|
| N/A |

Continued on next page...

NOTES CONTINUED:

INSTRUCTION NOTES

SEE GENERAL PRESS FIT INSTALLATION INSTRUCTION ON CONCORD ELECTRONICS' WEBSITE WWW.CONCORD-ELECTRONICS.COM.