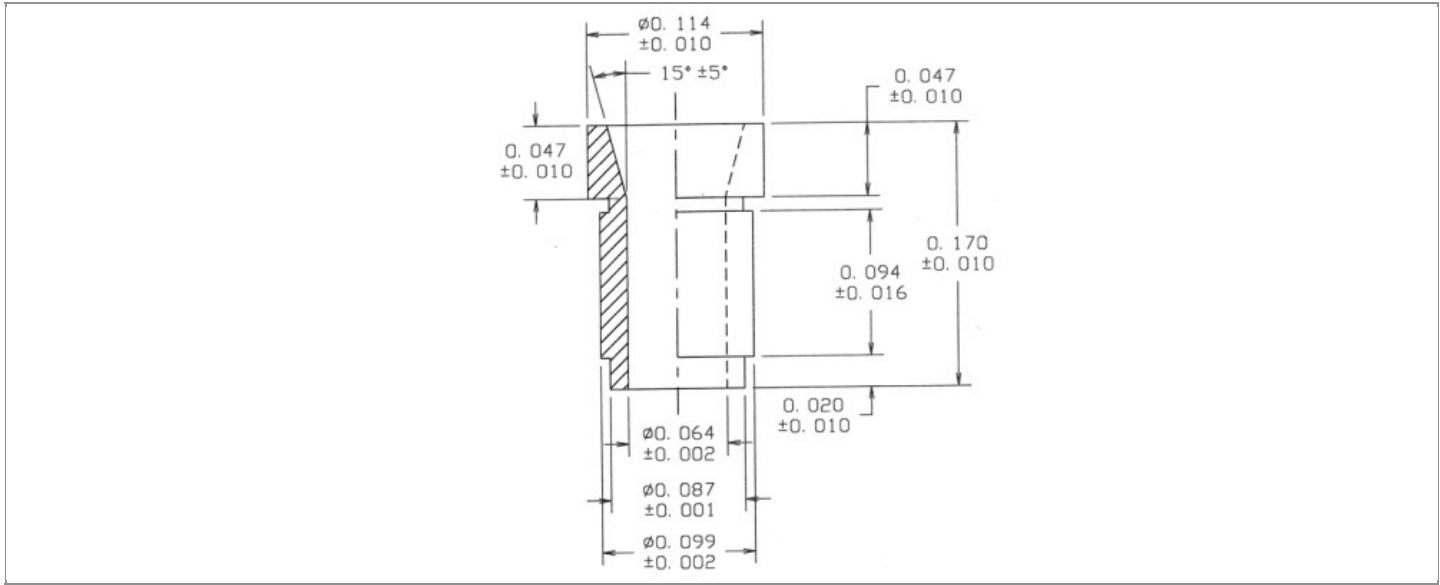


| | |
|------------------------|------------------------------------|
| DRAWING NUMBER: | 09-0312-X-XX |
| PRODUCT GROUP: | TERMINALS |
| SUB-GROUP: | COMMERCIAL NON-INSULATED TERMINALS |
| DESCRIPTION: | NON-INSULATED THRU-HOLE TERMINAL |



| BOARD / PANEL MOUNTING METHOD | MOUNTING HOLE SIZE | DRILL SIZE | FEED THRU COMBINATION |
|-------------------------------|--------------------|------------|-----------------------|
| SOLDER | 0.089" ± 0.001 | #43 | N/A |

PART NO. STRUCTURE:

09-0312 - 1 - XX
 PART SERIES DIMENSION FINISH

MATERIAL OPTIONS:

09-0312-1-XX

| COMPONENT | MATERIAL | MATERIAL AND SPECIFICATION |
|-----------|----------|--------------------------------------------|
| TERMINAL | BRASS | BRASS PER ASTM B16, ALLOY C36000, 1/2 HARD |

DIMENSION OPTIONS:

09-0312-1-XX

| DIMENSION | A | D | PIN DIAMETER | OVERALL LENGTH | SHANK LENGTH (L) | BOARD/PANEL THICKNESS |
|-----------|-----|-----|--------------|----------------|------------------|-----------------------|
| 1 | N/A | N/A | N/A | 0.170" | 0.123" | 3/32" |

FINISH - PLATING OPTIONS:

09-0312-1-**XX**

| FINISH CODE | COMPONENT | FINISH | FINISH AND SPECIFICATION |
|-------------|-----------|--------------------|------------------------------------------------------------------------------------------------------|
| 01 | TERMINAL | SILVER | 0.000300"MIN. SILVER PER ASTM B700, TYPE 2, GRADE D WITH A NON-CHROMATE PRESERVATIVE TREATMENT |
| 03 | TERMINAL | GOLD | 0.000010"MIN. GOLD PER ASTM B488, TYPE II, CODE C OVER 0.000050"MIN. NICKEL PER SAE-AMS-QQ-N-290 |
| 035 | TERMINAL | GOLD | 0.000050"MIN. GOLD PER ASTM B488, TYPE II, CODE C OVER 0.000050"MIN. NICKEL PER SAE-AMS-QQ-N-290 |
| 04 | TERMINAL | ELECTRO-TIN | 0.000300"MIN. ELECTRO-TIN PER ASTM B545 OVER 0.000100"MIN. COPPER PER SAE-AMS-2418 |
| 044 | TERMINAL | BRIGHT ELECTRO-TIN | 0.000300"MIN. BRIGHT ELECTRO-TIN PER ASTM B545 OVER 0.000100"MIN. COPPER PER SAE-AMS-2418 |
| 05 | TERMINAL | ELECTRO-SOLDER | 0.000300"MIN. ELECTRO-SOLDER PER SAE-AMS-P-81728 OVER 0.000100"MIN. COPPER PER SAE-AMS-2418 |
| 088 | TERMINAL | BRIGHT TIN-LEAD | 0.000300"MIN. BRIGHT TIN-LEAD (Sn93%-Pb7%) PER ASTM B545 OVER 0.000100"MIN. COPPER PER SAE-AMS-2418 |
| 095 | TERMINAL | HOT SOLDER DIP | 0.000100"MIN. HOT SOLDER DIP USING Sn60 PER IPC-J-STD-006 OVER 0.000100"MIN. COPPER PER SAE-AMS-2418 |

TOLERANCES:*

| DECIMAL | FRACTIONAL | ANGULAR | DRAWING ORIGATION DATE | LAST MODIFICATION DATE |
|---------|------------|---------|------------------------|------------------------|
| N/A | N/A | N/A | 3/5/2003 | 3/1/2017 |

*All dimensions are in inches.

RoHS COMPLIANCE:

09-0312-1-XX

| PART NUMBER | RoHS COMPLIANT |
|---------------|----------------|
| 09-0312-1-01 | YES |
| 09-0312-1-03 | YES |
| 09-0312-1-035 | YES |
| 09-0312-1-04 | YES |
| 09-0312-1-044 | YES |
| 09-0312-1-05 | NO |
| 09-0312-1-088 | NO |
| 09-0312-1-095 | NO |

TOOLING:

| INSTALLATION TOOL: ARBOR PRESS | INSTALLATION TOOL: ANVIL (ARBOR PRESS OPERATED) | INSTALLATION TOOL: PRESS-FIT / ROLL SWAGE / RIVET PUNCH (ARBOR PRESS OPERATED) | INSTALLATION TOOL: FLARE SWAGE PUNCH (ARBOR PRESS OPERATED) |
|-----------------------------------|-------------------------------------------------------|--------------------------------------------------------------------------------------|-------------------------------------------------------------------|
| N/A | N/A | N/A | N/A |

NOTES:

DATASHEET NOTES

N/A

INSTRUCTION NOTES

N/A