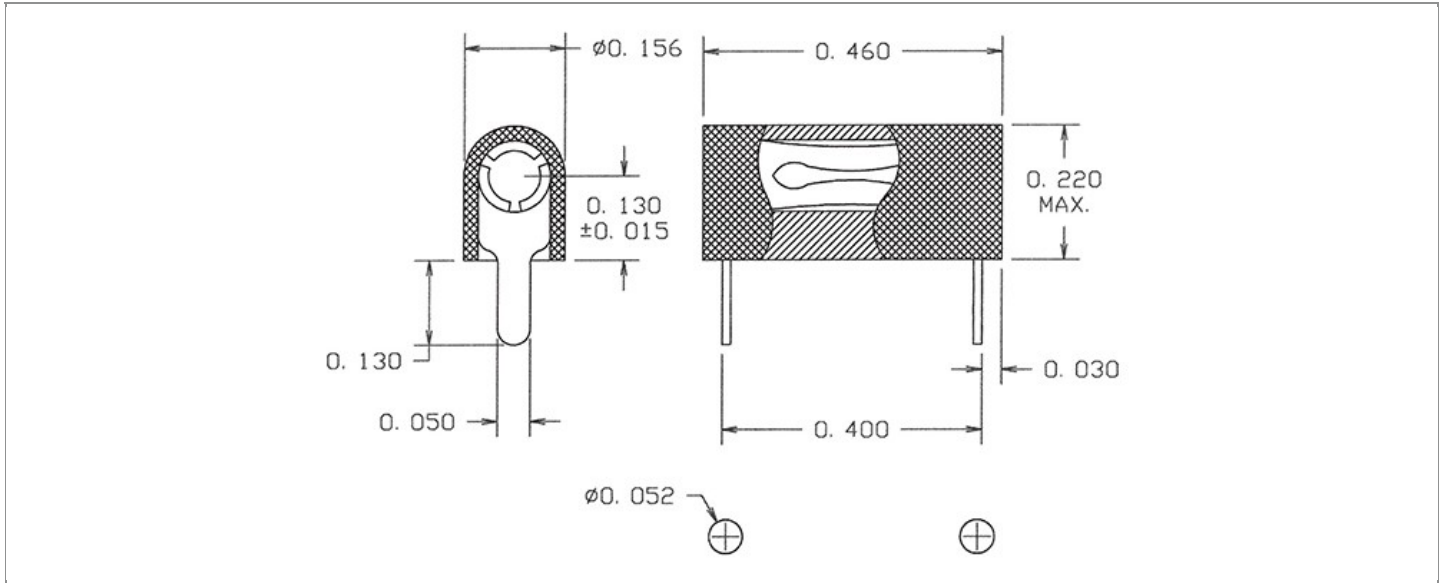


DRAWING NUMBER:	09-9294-1-XXXX
PRODUCT GROUP:	PC JACKS
SUB-GROUP:	INSULATED PC JACKS
DESCRIPTION:	TEST POINT INSULATED JACK - HORIZONTAL MOUNT



ACCEPTS PIN / PLUG / JACK SIZE	OVERALL LENGTH	MIN. HOLE DEPTH	MOUNTING ORIENTATION
0.080" ± 0.001	0.460"	0.400"	HORIZONTAL
BOARD / PANEL MOUNTING METHOD	MOUNTING HOLE SIZE	BOARD / PANEL THICKNESS	FEED THRU COMBINATION
SOLDER	0.052" ± 0.002	1/32" - 1/16"	N/A

PART NO. STRUCTURE:

09-9294	-	1	-	XX	XX
PART SERIES		DIMENSION		FINISH	INSULATION COLOR

MATERIAL OPTIONS:

09-9294-1-XXXX

COMPONENT	MATERIAL	MATERIAL AND SPECIFICATION
BODY	N/A	N/A
SPRING (CAGE)	BERYLLIUM COPPER	BERYLLIUM COPPER PER ASTM B194, ALLOY C17200
INSULATION*	NYLON	NYLON PER ASTM D4066
MOUNTING BRACKET	N/A	N/A

*For Insulation color, please see INSULATION COLOR OPTIONS on Page 2

FINISH - PLATING OPTIONS:

09-9294-1-XXXX

FINISH CODE	COMPONENT	FINISH	FINISH AND SPECIFICATION
088	BODY	N/A	N/A
	SPRING (CAGE)	BRIGHT TIN-LEAD	0.000200"MIN. BRIGHT TIN-LEAD (Sn93%-Pb7%) PER ASTM B545 OVER 0.000100"MIN. NICKEL PER SAE-AMS-QQ-N-290, CLASS 2
	MOUNTING BRACKET	N/A	N/A

INSULATION COLOR OPTIONS:

09-9294-1-XXXX

INSULATION COLOR	BLACK	BLUE	BROWN	GRAY	GREEN	ORANGE	RED	VIOLET	WHITE	YELLOW
COLOR CODE NO.	10	16	11	18	15	13	12	17	19	14

TOLERANCES:*

DECIMAL	FRACTIONAL	ANGULAR	DRAWING ORIGATION DATE	LAST MODIFICATION DATE
± 0.010	N/A	N/A	12/28/2012	1/1/2017

*All dimensions are in inches.

RoHS COMPLIANCE:

09-9294-1-088XX

PART NUMBER	RoHS COMPLIANT
09-9294-1-08810	NO
09-9294-1-08811	NO
09-9294-1-08812	NO
09-9294-1-08813	NO
09-9294-1-08814	NO
09-9294-1-08815	NO
09-9294-1-08816	NO
09-9294-1-08817	NO
09-9294-1-08818	NO
09-9294-1-08819	NO

MILITARY REFERENCE SPECIFICATIONS:

09-9294-1-088XX

PART NUMBER	MIL SPECIFICATION	MIL PART NUMBER
09-9294-1-08810	N/A	N/A
09-9294-1-08811	N/A	N/A

Continued on next page...

MILITARY REFERENCE SPECIFICATIONS CONTINUED:

09-9294-1-088XX

PART NUMBER	MIL SPECIFICATION	MIL PART NUMBER
09-9294-1-08812	N/A	N/A
09-9294-1-08813	N/A	N/A
09-9294-1-08814	N/A	N/A
09-9294-1-08815	N/A	N/A
09-9294-1-08816	N/A	N/A
09-9294-1-08817	N/A	N/A
09-9294-1-08818	N/A	N/A
09-9294-1-08819	N/A	N/A

TOOLING:

INSTALLATION TOOL: ARBOR PRESS	INSTALLATION TOOL: ANVIL (ARBOR PRESS OPERATED)	INSTALLATION TOOL: PRESS-FIT / ROLL SWAGE / RIVET PUNCH (ARBOR PRESS OPERATED)	INSTALLATION TOOL: PRESS-FIT (HAND OPERATED)	CRIMPING TOOL (COMMERCIAL VERSION)
N/A	N/A	N/A	N/A	N/A

NOTES:

DATASHEET NOTES

N/A

INSTRUCTION NOTES

N/A