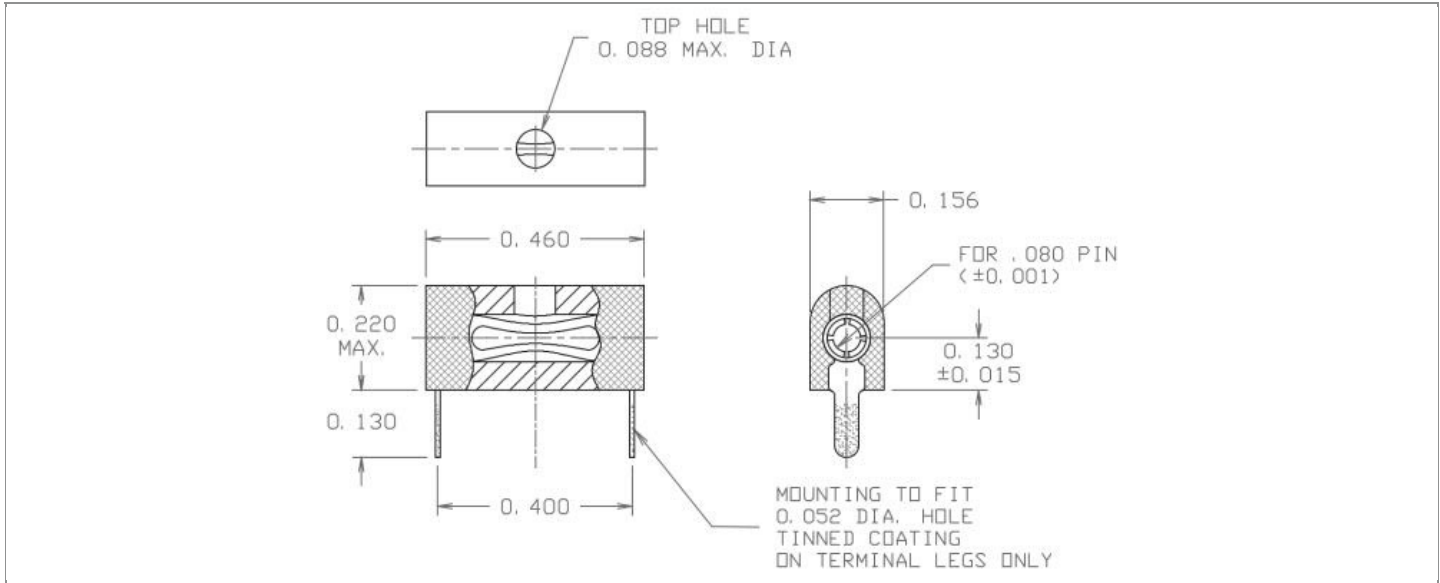


<b>DRAWING NUMBER:</b>	<b>09-9225-1-XXXX</b>
<b>PRODUCT GROUP:</b>	PC JACKS
<b>SUB-GROUP:</b>	INSULATED PC JACKS
<b>DESCRIPTION:</b>	TEST POINT INSULATED JACK - HORIZONTAL MOUNT



ACCEPTS PIN / PLUG / JACK SIZE	OVERALL LENGTH	MIN. HOLE DEPTH	MOUNTING ORIENTATION
0.080" $\pm$ 0.001	0.460"	0.400"	HORIZONTAL
BOARD / PANEL MOUNTING METHOD	MOUNTING HOLE SIZE	BOARD / PANEL THICKNESS	FEED THRU COMBINATION
SOLDER	0.052" $\pm$ 0.002	1/32" - 1/16"	N/A

### PART NO. STRUCTURE:

<b>09-9225</b>	-	<b>1</b>	-	<b>XX</b>	<b>XX</b>
PART SERIES		DIMENSION		FINISH	INSULATION COLOR

### MATERIAL OPTIONS:

**09-9225-1-XXXX**

COMPONENT	MATERIAL	MATERIAL AND SPECIFICATION
BODY	N/A	N/A
SPRING (CAGE)	BERYLLIUM COPPER	BERYLLIUM COPPER PER ASTM B194, ALLOY C17200
INSULATION*	NYLON	NYLON PER ASTM D4066
MOUNTING BRACKET	N/A	N/A

\*For Insulation color, please see INSULATION COLOR OPTIONS on Page 2

FINISH - PLATING OPTIONS:

09-9225-1-XXXX

FINISH CODE	COMPONENT	FINISH	FINISH AND SPECIFICATION
03	BODY	N/A	N/A
	SPRING (CAGE)	GOLD WITH SOLDER COATED LEGS	0.000010"MIN. GOLD PER ASTM B488, TYPE II, CODE C OVER 0.000100"MIN. NICKEL PER SAE-AMS-QQ-N-290, CLASS 2. LEGS WITH SOLDER COATING
	MOUNTING BRACKET	N/A	N/A
035	BODY	N/A	N/A
	SPRING (CAGE)	GOLD WITH SOLDER COATED LEGS	0.000050"MIN. GOLD PER ASTM B488, TYPE II, CODE C OVER 0.000030"- 0.000150" NICKEL PER SAE-AMS-QQ-N-290, CLASS 2. LEGS WITH SOLDER COATING
	MOUNTING BRACKET	N/A	N/A

INSULATION COLOR OPTIONS:

09-9225-1-XXXX

INSULATION COLOR	BLACK	BLUE	BROWN	GRAY	GREEN	ORANGE	RED	VIOLET	WHITE	YELLOW
COLOR CODE NO.	10	16	11	18	15	13	12	17	19	14

TOLERANCES:\*

DECIMAL	FRACTIONAL	ANGULAR	DRAWING ORIGATION DATE	LAST MODIFICATION DATE
± 0.010	N/A	N/A	12/10/1997	7/21/2019

\*All dimensions are in inches.

RoHS COMPLIANCE:

09-9225-1-03XX

PART NUMBER	RoHS COMPLIANT
09-9225-1-0310	NO
09-9225-1-0311	NO
09-9225-1-0312	NO
09-9225-1-0313	NO
09-9225-1-0314	NO
09-9225-1-0315	NO
09-9225-1-0316	NO
09-9225-1-0317	NO
09-9225-1-0318	NO
09-9225-1-0319	NO

09-9225-1-035XX

PART NUMBER	RoHS COMPLIANT
09-9225-1-03510	NO
09-9225-1-03511	NO
09-9225-1-03512	NO
09-9225-1-03513	NO
09-9225-1-03514	NO
09-9225-1-03515	NO
09-9225-1-03516	NO
09-9225-1-03517	NO
09-9225-1-03518	NO
09-9225-1-03519	NO

MILITARY REFERENCE SPECIFICATIONS:

09-9225-1-03XX

PART NUMBER	MIL SPECIFICATION	MIL PART NUMBER
09-9225-1-0310	N/A	N/A
09-9225-1-0311	N/A	N/A
09-9225-1-0312	N/A	N/A
09-9225-1-0313	N/A	N/A
09-9225-1-0314	N/A	N/A
09-9225-1-0315	N/A	N/A
09-9225-1-0316	N/A	N/A
09-9225-1-0317	N/A	N/A
09-9225-1-0318	N/A	N/A
09-9225-1-0319	N/A	N/A

09-9225-1-035XX

PART NUMBER	MIL SPECIFICATION	MIL PART NUMBER
09-9225-1-03510	MIL-DTL-39024/11	M39024/11-43
09-9225-1-03511	MIL-DTL-39024/11	M39024/11-44
09-9225-1-03512	MIL-DTL-39024/11	M39024/11-42
09-9225-1-03513	MIL-DTL-39024/11	M39024/11-46
09-9225-1-03514	MIL-DTL-39024/11	M39024/11-48
09-9225-1-03515	MIL-DTL-39024/11	M39024/11-45
09-9225-1-03516	MIL-DTL-39024/11	M39024/11-47
09-9225-1-03517	MIL-DTL-39024/11	M39024/11-50
09-9225-1-03518	MIL-DTL-39024/11	M39024/11-49
09-9225-1-03519	MIL-DTL-39024/11	M39024/11-41

TOOLING:

INSTALLATION TOOL: ARBOR PRESS	INSTALLATION TOOL: ANVIL (ARBOR PRESS OPERATED)	INSTALLATION TOOL: PRESS-FIT / ROLL SWAGE / RIVET PUNCH (ARBOR PRESS OPERATED)	INSTALLATION TOOL: PRESS-FIT (HAND OPERATED)	CRIMPING TOOL (COMMERCIAL VERSION)
N/A	N/A	N/A	N/A	N/A

NOTES:

DATASHEET NOTES
-----------------

TOP HOLE PROVIDES ACCESS TO THE ELECTRICAL CONTACT FOR A HAND HELD PROBE. THERE IS NO SPRING CONTACT RETENTION.

INSTRUCTION NOTES
-------------------

N/A