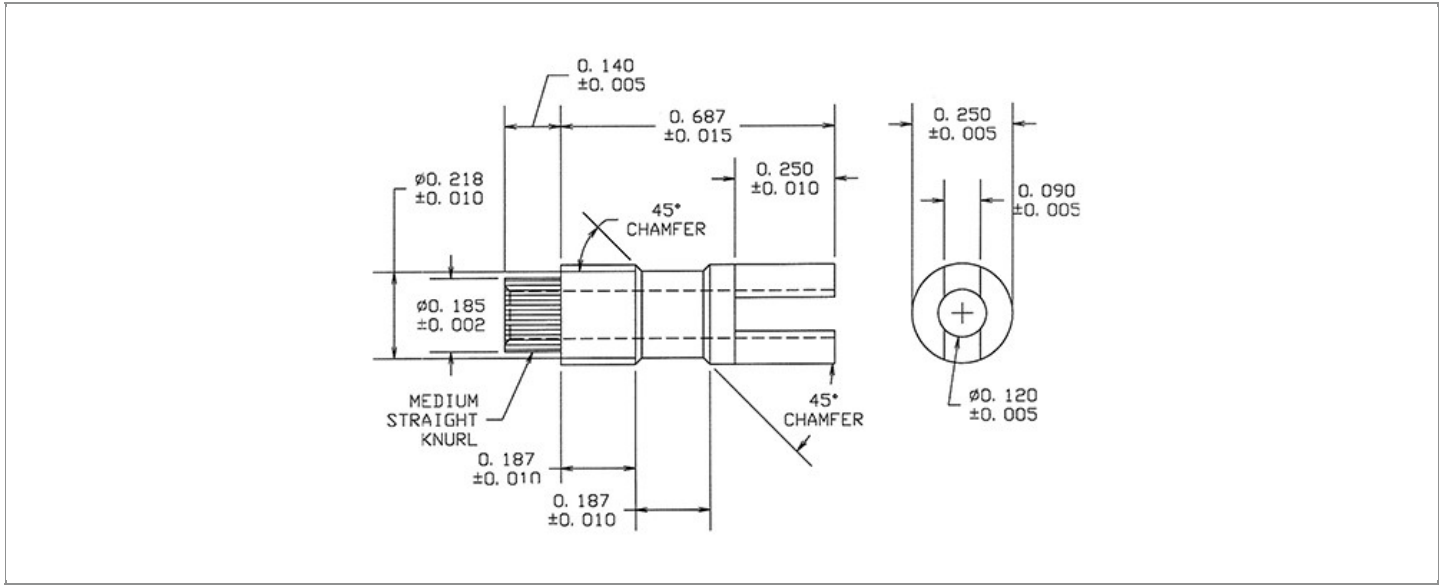


<b>DRAWING NUMBER:</b>	<b>15R-433-X-XX</b>
<b>PRODUCT GROUP:</b>	TERMINALS
<b>SUB-GROUP:</b>	MILITARY NON-INSULATED TERMINALS
<b>DESCRIPTION:</b>	NON-INSULATED THRU-HOLE KNURLED SLOTTED TERMINAL



BOARD / PANEL MOUNTING METHOD	MOUNTING HOLE SIZE	DRILL SIZE	FEED THRU COMBINATION
SWAGE MOUNT	0.189" ± 0.001	#12	N/A

**PART NO. STRUCTURE:**

15R-433 - X - XX  
 PART SERIES    DIMENSION    FINISH

**MATERIAL OPTIONS:**

15R-433-X-XX

COMPONENT	MATERIAL	MATERIAL AND SPECIFICATION
TERMINAL	PHOSPHOR BRONZE	PHOSPHOR BRONZE PER ASTM B139, ALLOY C54400

**DIMENSION OPTIONS:**

15R-433-X-XX

DIMENSION	K	OVERALL LENGTH	SHANK LENGTH (L)	BOARD/PANEL THICKNESS
3	N/A	0.827"	0.140"	3/32"
4	N/A	0.859"	0.172"	1/8"
5	N/A	0.882"	0.195"	1/8"
6	N/A	0.921"	0.234"	3/16"
8	N/A	0.984"	0.297"	1/4"

FINISH - PLATING OPTIONS:

15R-433-X-**XX**

FINISH CODE	COMPONENT	FINISH	FINISH AND SPECIFICATION
05	TERMINAL	ELECTRO-SOLDER	0.000300"MIN. ELECTRO-SOLDER PER SAE-AMS-P-81728 OVER 0.000100"MIN. COPPER PER SAE-AMS-2418
088	TERMINAL	BRIGHT TIN-LEAD	0.000300"MIN. BRIGHT TIN-LEAD (Sn93%-Pb7%) PER ASTM B545 OVER 0.000100"MIN. COPPER PER SAE-AMS-2418
095	TERMINAL	HOT SOLDER DIP	0.000100"MIN. HOT SOLDER DIP USING Sn60 PER IPC-J-STD-006 OVER 0.000100"MIN. COPPER PER SAE-AMS-2418

TOLERANCES:\*

DECIMAL	FRACTIONAL	ANGULAR	DRAWING ORIGATION DATE	LAST MODIFICATION DATE
N/A	N/A	N/A	11/16/1998	3/1/2017

\*All dimensions are in inches.

RoHS COMPLIANCE:

15R-433-3-XX

PART NUMBER	RoHS COMPLIANT
15R-433-3-05	NO
15R-433-3-088	NO
15R-433-3-095	NO

15R-433-4-XX

PART NUMBER	RoHS COMPLIANT
15R-433-4-05	NO
15R-433-4-088	NO
15R-433-4-095	NO

15R-433-5-XX

PART NUMBER	RoHS COMPLIANT
15R-433-5-05	NO
15R-433-5-088	NO
15R-433-5-095	NO

15R-433-6-XX

PART NUMBER	RoHS COMPLIANT
15R-433-6-05	NO
15R-433-6-088	NO
15R-433-6-095	NO

15R-433-8-XX

PART NUMBER	RoHS COMPLIANT
15R-433-8-05	NO
15R-433-8-088	NO
15R-433-8-095	NO

MILITARY REFERENCE SPECIFICATIONS:

15R-433-3-XX

PART NUMBER	MIL SPECIFICATION	MIL PART NUMBER	COMMERCIAL ITEM DESCRIPTION (CID) SPECIFICATION	CID PART NUMBER
15R-433-3-05	MIL-T-55155/32	M55155/32XB05 (M55155/32-5Z; SE32XC05Z)	A-A-59126/32	AA59126/32XB05
15R-433-3-088	MIL-T-55155/32	M55155/32XD05	A-A-59126/32	AA59126/32XD05
15R-433-3-095	MIL-T-55155/32	M55155/32XC05	A-A-59126/32	AA59126/32XC05

Continued on next page...

MILITARY REFERENCE SPECIFICATIONS CONTINUED:

15R-433-4-XX

PART NUMBER	MIL SPECIFICATION	MIL PART NUMBER	COMMERCIAL ITEM DESCRIPTION (CID) SPECIFICATION	CID PART NUMBER
15R-433-4-05	MIL-T-55155/32	M55155/32XB08 (M55155/32-8Z; SE32XC08Z)	A-A-59126/32	AA59126/32XB08
15R-433-4-088	MIL-T-55155/32	M55155/32XD08	A-A-59126/32	AA59126/32XD08
15R-433-4-095	MIL-T-55155/32	M55155/32XC08	A-A-59126/32	AA59126/32XC08

15R-433-5-XX

PART NUMBER	MIL SPECIFICATION	MIL PART NUMBER	COMMERCIAL ITEM DESCRIPTION (CID) SPECIFICATION	CID PART NUMBER
15R-433-5-05	MIL-T-55155/32	M55155/32XB09 (M55155/32-9Z; SE32XC09Z)	A-A-59126/32	AA59126/32XB09
15R-433-5-088	MIL-T-55155/32	M55155/32XD09	A-A-59126/32	AA59126/32XD09
15R-433-5-095	MIL-T-55155/32	M55155/32XC09	A-A-59126/32	AA59126/32XC09

15R-433-6-XX

PART NUMBER	MIL SPECIFICATION	MIL PART NUMBER	COMMERCIAL ITEM DESCRIPTION (CID) SPECIFICATION	CID PART NUMBER
15R-433-6-05	MIL-T-55155/32	M55155/32XB10 (M55155/32-10Z; SE32XC10Z)	A-A-59126/32	AA59126/32XB10
15R-433-6-088	MIL-T-55155/32	M55155/32XD10	A-A-59126/32	AA59126/32XD10
15R-433-6-095	MIL-T-55155/32	M55155/32XC10	A-A-59126/32	AA59126/32XC10

15R-433-8-XX

PART NUMBER	MIL SPECIFICATION	MIL PART NUMBER	COMMERCIAL ITEM DESCRIPTION (CID) SPECIFICATION	CID PART NUMBER
15R-433-8-05	MIL-T-55155/32	M55155/32XB11 (M55155/32-11Z; SE32XC11Z)	A-A-59126/32	AA59126/32XB11
15R-433-8-088	MIL-T-55155/32	M55155/32XD11	A-A-59126/32	AA59126/32XD11
15R-433-8-095	MIL-T-55155/32	M55155/32XC11	A-A-59126/32	AA59126/32XC11

TOOLING:

INSTALLATION TOOL: ARBOR PRESS	INSTALLATION TOOL: ANVIL (ARBOR PRESS OPERATED)	INSTALLATION TOOL: PRESS-FIT / ROLL SWAGE / RIVET PUNCH (ARBOR PRESS OPERATED)	INSTALLATION TOOL: FLARE SWAGE PUNCH (ARBOR PRESS OPERATED)
TM1	TA10-433	TP185-120	TFLP90-250

**NOTES:**

---

**DATASHEET NOTES**

N/A

---

**INSTRUCTION NOTES**

SEE GENERAL SWAGING INSTALLATION INSTRUCTION ON CONCORD ELECTRONICS' WEBSITE [WWW.CONCORD-ELECTRONICS.COM](http://WWW.CONCORD-ELECTRONICS.COM)

---