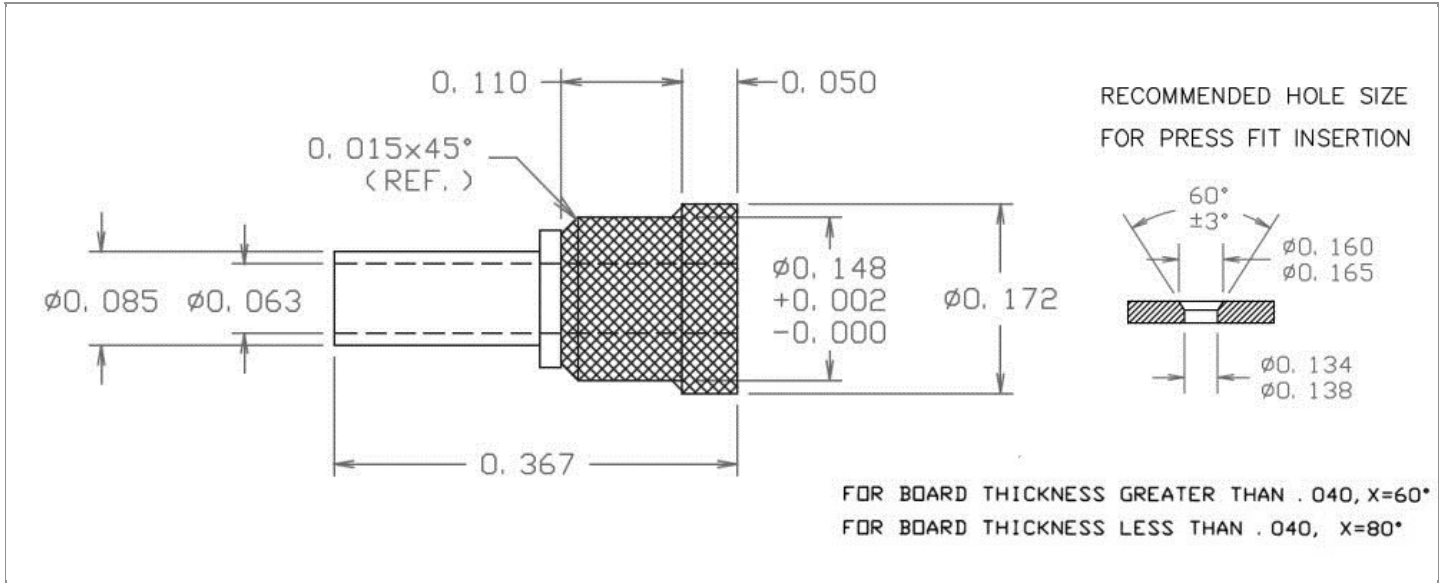


DRAWING NUMBER:	1114R-23M-XXXXZ
PRODUCT GROUP:	TERMINALS
SUB-GROUP:	MILITARY INSULATED TERMINALS
DESCRIPTION:	PTFE INSULATED THRU-HOLE PIN TERMINAL



PIN DIAMETER	OVERALL LENGTH	MOUNTING ORIENTATION	BOARD / PANEL MOUNTING METHOD
0.085" ± 0.005	0.367"	VERTICAL	PRESS FIT
BOARD / PANEL THICKNESS	MOUNTING HOLE SIZE	DRILL SIZE	FEED THRU COMBINATION
UP TO 1/16"	0.136" ± 0.002	#29	N/A

PART NO. STRUCTURE:*

1114R	-	23M	-	XX	XX
PART SERIES		DIMENSION		FINISH	INSULATION COLOR

*If applicable, "Z" at the end of a PART NO. STRUCTURE indicates TERMINAL MATERIAL TYPE.

MATERIAL OPTIONS:

1114R-23M-XXXXZ

COMPONENT	MATERIAL	MATERIAL AND SPECIFICATION
TERMINAL	PHOSPHOR BRONZE	PHOSPHOR BRONZE PER ASTM B139, ALLOY C54400
BASE/METAL SLEEVE	N/A	N/A
INSULATION*	PTFE	PTFE PER ASTM D1710
NUT	N/A	N/A
WASHER	N/A	N/A

*For Insulation color, please see INSULATION COLOR OPTIONS on Page 2

FINISH - PLATING OPTIONS:

1114R-23M-XXXXZ

FINISH CODE	COMPONENT	FINISH	FINISH AND SPECIFICATION
05	TERMINAL	ELECTRO-SOLDER	0.000300"MIN. ELECTRO-SOLDER PER SAE-AMS-P-81728 OVER 0.000100"MIN. COPPER PER SAE-AMS-2418
	BASE/METAL SLEEVE	N/A	N/A
	NUT	N/A	N/A
	WASHER	N/A	N/A
088	TERMINAL	BRIGHT TIN-LEAD	0.000300"MIN. BRIGHT TIN-LEAD (Sn93%-Pb7%) PER ASTM B545 OVER 0.000100"MIN. COPPER PER SAE-AMS-2418
	BASE/METAL SLEEVE	N/A	N/A
	NUT	N/A	N/A
	WASHER	N/A	N/A
095	TERMINAL	HOT SOLDER DIP	0.000100"MIN. HOT SOLDER DIP USING Sn60 PER IPC-J-STD-006 OVER 0.000100"MIN. COPPER PER SAE-AMS-2418
	BASE/METAL SLEEVE	N/A	N/A
	NUT	N/A	N/A
	WASHER	N/A	N/A

INSULATION COLOR OPTIONS:

1114R-23M-XXXXZ

INSULATION COLOR	BLACK	BLUE	BROWN	GRAY	GREEN	ORANGE	RED	VIOLET	WHITE	YELLOW
COLOR CODE NO.	10	16	11	18	15	13	12	17	19	14

TOLERANCES:*

DECIMAL	FRACTIONAL	ANGULAR	DRAWING ORIGATION DATE	LAST MODIFICATION DATE
± 0.015	± 1/64	± 3 °	4/8/1996	3/1/2017

*All dimensions are in inches.

RoHS COMPLIANCE:

1114R-23M-05XXZ

PART NUMBER	RoHS COMPLIANT
1114R-23M-0510Z	NO
1114R-23M-0511Z	NO
1114R-23M-0512Z	NO
1114R-23M-0513Z	NO
1114R-23M-0514Z	NO
1114R-23M-0515Z	NO
1114R-23M-0516Z	NO
1114R-23M-0517Z	NO
1114R-23M-0518Z	NO
1114R-23M-0519Z	NO

1114R-23M-088XXZ

PART NUMBER	RoHS COMPLIANT
1114R-23M-08810Z	NO
1114R-23M-08811Z	NO
1114R-23M-08812Z	NO
1114R-23M-08813Z	NO
1114R-23M-08814Z	NO
1114R-23M-08815Z	NO
1114R-23M-08816Z	NO

1114R-23M-095XXZ

PART NUMBER	RoHS COMPLIANT
1114R-23M-09510Z	NO
1114R-23M-09511Z	NO
1114R-23M-09512Z	NO
1114R-23M-09513Z	NO
1114R-23M-09514Z	NO
1114R-23M-09515Z	NO
1114R-23M-09516Z	NO

MILITARY REFERENCE SPECIFICATIONS:

1114R-23M-05XXZ

PART NUMBER	MIL SPECIFICATION	MIL PART NUMBER	COMMERCIAL ITEM DESCRIPTION (CID) SPECIFICATION	CID PART NUMBER
1114R-23M-0510Z	MIL-T-55155/06	1114R-23M-0510Z M55155/060B02 (FT060B02Z)	A-A-59126/06	1114R-23M-0510Z AA59126/060B02
1114R-23M-0511Z	MIL-T-55155/06	M55155/061B02 (FT061B02Z)	A-A-59126/06	AA59126/061B02
1114R-23M-0512Z	MIL-T-55155/06	1114R-23M-0512Z M55155/062B02 (FT062B02Z)	A-A-59126/06	1114R-23M-0512Z AA59126/062B02
1114R-23M-0513Z	MIL-T-55155/06	M55155/063B02 (FT063B02Z)	A-A-59126/06	AA59126/063B02
1114R-23M-0514Z	MIL-T-55155/06	M55155/064B02 (FT064B02Z)	A-A-59126/06	AA59126/064B02
1114R-23M-0515Z	MIL-T-55155/06	M55155/065B02 (FT065B02Z)	A-A-59126/06	AA59126/065B02
1114R-23M-0516Z	MIL-T-55155/06	M55155/066B02 (FT066B02Z)	A-A-59126/06	AA59126/066B02
1114R-23M-0517Z	MIL-T-55155/06	M55155/067B02 (FT067B02Z)	A-A-59126/06	AA59126/067B02
1114R-23M-0518Z	MIL-T-55155/06	M55155/068B02 (FT068B02Z)	A-A-59126/06	AA59126/068B02
1114R-23M-0519Z	MIL-T-55155/06	M55155/069B02 (FT069B02Z)	A-A-59126/06	AA59126/069B02

1114R-23M-088XXZ

PART NUMBER	MIL SPECIFICATION	MIL PART NUMBER	COMMERCIAL ITEM DESCRIPTION (CID) SPECIFICATION	CID PART NUMBER
1114R-23M-08810Z	MIL-T-55155/06	M55155/060D02	A-A-59126/06	AA59126/060D02
1114R-23M-08811Z	MIL-T-55155/06	M55155/061D02	A-A-59126/06	AA59126/061D02
1114R-23M-08812Z	MIL-T-55155/06	M55155/062D02	A-A-59126/06	AA59126/062D02
1114R-23M-08813Z	MIL-T-55155/06	M55155/063D02	A-A-59126/06	AA59126/063D02
1114R-23M-08814Z	MIL-T-55155/06	M55155/064D02	A-A-59126/06	AA59126/064D02

Continued on next page...

MILITARY REFERENCE SPECIFICATIONS CONTINUED:

1114R-23M-088XXZ

PART NUMBER	MIL SPECIFICATION	MIL PART NUMBER	COMMERCIAL ITEM DESCRIPTION (CID) SPECIFICATION	CID PART NUMBER
1114R-23M-08815Z	MIL-T-55155/06	M55155/065D02	A-A-59126/06	AA59126/065D02
1114R-23M-08816Z	MIL-T-55155/06	M55155/066D02	A-A-59126/06	AA59126/066D02
1114R-23M-08817Z	MIL-T-55155/06	M55155/067D02	A-A-59126/06	AA59126/067D02
1114R-23M-08818Z	MIL-T-55155/06	M55155/068D02	A-A-59126/06	AA59126/068D02
1114R-23M-08819Z	MIL-T-55155/06	M55155/069D02	A-A-59126/06	AA59126/069D02

1114R-23M-095XXZ

PART NUMBER	MIL SPECIFICATION	MIL PART NUMBER	COMMERCIAL ITEM DESCRIPTION (CID) SPECIFICATION	CID PART NUMBER
1114R-23M-09510Z	MIL-T-55155/06	M55155/060C02	A-A-59126/06	AA59126/060C02
1114R-23M-09511Z	MIL-T-55155/06	M55155/061C02	A-A-59126/06	AA59126/061C02
1114R-23M-09512Z	MIL-T-55155/06	M55155/062C02	A-A-59126/06	AA59126/062C02
1114R-23M-09513Z	MIL-T-55155/06	M55155/063C02	A-A-59126/06	AA59126/063C02
1114R-23M-09514Z	MIL-T-55155/06	M55155/064C02	A-A-59126/06	AA59126/064C02
1114R-23M-09515Z	MIL-T-55155/06	M55155/065C02	A-A-59126/06	AA59126/065C02
1114R-23M-09516Z	MIL-T-55155/06	M55155/066C02	A-A-59126/06	AA59126/066C02
1114R-23M-09517Z	MIL-T-55155/06	M55155/067C02	A-A-59126/06	AA59126/067C02
1114R-23M-09518Z	MIL-T-55155/06	M55155/068C02	A-A-59126/06	AA59126/068C02
1114R-23M-09519Z	MIL-T-55155/06	M55155/069C02	A-A-59126/06	AA59126/069C02

TOOLING:

INSTALLATION TOOL: ARBOR PRESS	INSTALLATION TOOL: ANVIL (ARBOR PRESS OPERATED)	INSTALLATION TOOL: PRESS-FIT / ROLL SWAGE / RIVET PUNCH (ARBOR PRESS OPERATED)	INSTALLATION TOOL: PRESS-FIT (HAND OPERATED)
TM1	TA1114R-23	TPI1114R-23	TTI1114R-23

NOTES:

DATASHEET NOTES

N/A

INSTRUCTION NOTES

SEE GENERAL PRESS FIT INSTALLATION INSTRUCTION ON CONCORD ELECTRONICS' WEBSITE WWW.CONCORD-ELECTRONICS.COM.