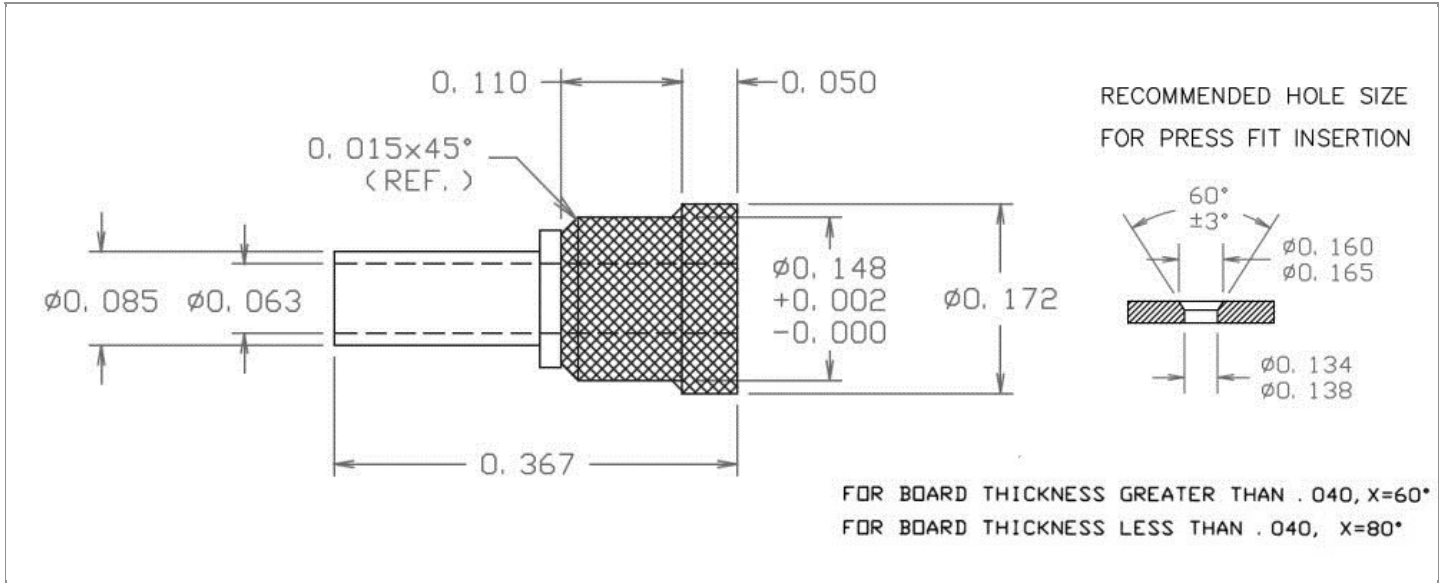


DRAWING NUMBER:	1114R-23M-XXXX
PRODUCT GROUP:	TERMINALS
SUB-GROUP:	MILITARY INSULATED TERMINALS
DESCRIPTION:	PTFE INSULATED THRU-HOLE PIN TERMINAL



PIN DIAMETER	OVERALL LENGTH	MOUNTING ORIENTATION	BOARD / PANEL MOUNTING METHOD
0.085" ± 0.005	0.367"	VERTICAL	PRESS FIT
BOARD / PANEL THICKNESS	MOUNTING HOLE SIZE	DRILL SIZE	FEED THRU COMBINATION
UP TO 1/16"	0.136" ± 0.002	#29	N/A

PART NO. STRUCTURE:*

1114R	-	23M	-	XX	XX
PART SERIES		DIMENSION		FINISH	INSULATION COLOR

*If applicable, "Z" at the end of a PART NO. STRUCTURE indicates TERMINAL MATERIAL TYPE.

MATERIAL OPTIONS:

1114R-23M-XXXX

COMPONENT	MATERIAL	MATERIAL AND SPECIFICATION
TERMINAL	BRASS	BRASS PER ASTM B16, ALLOY C36000, 1/2 HARD
BASE/METAL SLEEVE	N/A	N/A
INSULATION*	PTFE	PTFE PER ASTM D1710
NUT	N/A	N/A
WASHER	N/A	N/A

*For Insulation color, please see INSULATION COLOR OPTIONS on Page 2

FINISH - PLATING OPTIONS:

1114R-23M-XXXX

FINISH CODE	COMPONENT	FINISH	FINISH AND SPECIFICATION
05	TERMINAL	ELECTRO-SOLDER	0.000300"MIN. ELECTRO-SOLDER PER SAE-AMS-P-81728 OVER 0.000100"MIN. COPPER PER SAE-AMS-2418
	BASE/METAL SLEEVE	N/A	N/A
	NUT	N/A	N/A
	WASHER	N/A	N/A
088	TERMINAL	BRIGHT TIN-LEAD	0.000300"MIN. BRIGHT TIN-LEAD (Sn93%-Pb7%) PER ASTM B545 OVER 0.000100"MIN. COPPER PER SAE-AMS-2418
	BASE/METAL SLEEVE	N/A	N/A
	NUT	N/A	N/A
	WASHER	N/A	N/A
095	TERMINAL	HOT SOLDER DIP	0.000100"MIN. HOT SOLDER DIP USING Sn60 PER IPC-J-STD-006 OVER 0.000100"MIN. COPPER PER SAE-AMS-2418
	BASE/METAL SLEEVE	N/A	N/A
	NUT	N/A	N/A
	WASHER	N/A	N/A

INSULATION COLOR OPTIONS:

1114R-23M-XXXX

INSULATION COLOR	BLACK	BLUE	BROWN	GRAY	GREEN	ORANGE	RED	VIOLET	WHITE	YELLOW
COLOR CODE NO.	10	16	11	18	15	13	12	17	19	14

TOLERANCES:*

DECIMAL	FRACTIONAL	ANGULAR	DRAWING ORIGATION DATE	LAST MODIFICATION DATE
± 0.015	± 1/64	± 3 °	4/8/1996	3/1/2017

*All dimensions are in inches.

RoHS COMPLIANCE:

1114R-23M-05XX

PART NUMBER	RoHS COMPLIANT
1114R-23M-0510	NO
1114R-23M-0511	NO
1114R-23M-0512	NO
1114R-23M-0513	NO
1114R-23M-0514	NO
1114R-23M-0515	NO
1114R-23M-0516	NO
1114R-23M-0517	NO
1114R-23M-0518	NO
1114R-23M-0519	NO

1114R-23M-088XX

PART NUMBER	RoHS COMPLIANT
1114R-23M-08810	NO
1114R-23M-08811	NO
1114R-23M-08812	NO
1114R-23M-08813	NO
1114R-23M-08814	NO
1114R-23M-08815	NO
1114R-23M-08816	NO
1114R-23M-08817	NO
1114R-23M-08818	NO
1114R-23M-08819	NO

1114R-23M-095XX

PART NUMBER	RoHS COMPLIANT
1114R-23M-09510	NO
1114R-23M-09511	NO
1114R-23M-09512	NO
1114R-23M-09513	NO
1114R-23M-09514	NO
1114R-23M-09515	NO
1114R-23M-09516	NO
1114R-23M-09517	NO
1114R-23M-09518	NO
1114R-23M-09519	NO

MILITARY REFERENCE SPECIFICATIONS:

1114R-23M-05XX

PART NUMBER	MIL SPECIFICATION	MIL PART NUMBER	COMMERCIAL ITEM DESCRIPTION (CID) SPECIFICATION	CID PART NUMBER
1114R-23M-0510	MIL-T-55155/06	M55155/060H02 (FT060B02S)	A-A-59126/06	AA59126/060H02
1114R-23M-0511	MIL-T-55155/06	M55155/061H02 (FT061B02S)	A-A-59126/06	AA59126/061H02
1114R-23M-0512	MIL-T-55155/06	M55155/062H02 (FT062B02S)	A-A-59126/06	AA59126/062H02
1114R-23M-0513	MIL-T-55155/06	M55155/063H02 (FT063B02S)	A-A-59126/06	AA59126/063H02
1114R-23M-0514	MIL-T-55155/06	M55155/064H02 (FT064B02S)	A-A-59126/06	AA59126/064H02
1114R-23M-0515	MIL-T-55155/06	M55155/065H02 (FT065B02S)	A-A-59126/06	AA59126/065H02
1114R-23M-0516	MIL-T-55155/06	M55155/066H02 (FT066B02S)	A-A-59126/06	AA59126/066H02
1114R-23M-0517	MIL-T-55155/06	M55155/067H02 (FT067B02S)	A-A-59126/06	AA59126/067H02
1114R-23M-0518	MIL-T-55155/06	M55155/068H02 (FT068B02S)	A-A-59126/06	AA59126/068H02
1114R-23M-0519	MIL-T-55155/06	M55155/069H02 (FT069B02S)	A-A-59126/06	AA59126/069H02

1114R-23M-088XX

PART NUMBER	MIL SPECIFICATION	MIL PART NUMBER	COMMERCIAL ITEM DESCRIPTION (CID) SPECIFICATION	CID PART NUMBER
1114R-23M-08810	MIL-T-55155/06	M55155/060J02	A-A-59126/06	AA59126/060J02 (AA59126/06002)
1114R-23M-08811	MIL-T-55155/06	M55155/061J02	A-A-59126/06	AA59126/061J02 (AA59126/06102)
1114R-23M-08812	MIL-T-55155/06	M55155/062J02	A-A-59126/06	AA59126/062J02 (AA59126/06202)
1114R-23M-08813	MIL-T-55155/06	M55155/063J02	A-A-59126/06	AA59126/063J02 (AA59126/06302)
1114R-23M-08814	MIL-T-55155/06	M55155/064J02	A-A-59126/06	AA59126/064J02 (AA59126/06402)

Continued on next page...

MILITARY REFERENCE SPECIFICATIONS CONTINUED:

1114R-23M-088XX

PART NUMBER	MIL SPECIFICATION	MIL PART NUMBER	COMMERCIAL ITEM DESCRIPTION (CID) SPECIFICATION	CID PART NUMBER
1114R-23M-08815	MIL-T-55155/06	M55155/065J02	A-A-59126/06	AA59126/065J02 (AA59126/06502)
1114R-23M-08816	MIL-T-55155/06	M55155/066J02	A-A-59126/06	AA59126/066J02 (AA59126/06602)
1114R-23M-08817	MIL-T-55155/06	M55155/067J02	A-A-59126/06	AA59126/067J02 (AA59126/06702)
1114R-23M-08818	MIL-T-55155/06	M55155/068J02	A-A-59126/06	AA59126/068J02 (AA59126/06802)
1114R-23M-08819	MIL-T-55155/06	M55155/069J02	A-A-59126/06	AA59126/069J02 (AA59126/06902)

1114R-23M-095XX

PART NUMBER	MIL SPECIFICATION	MIL PART NUMBER	COMMERCIAL ITEM DESCRIPTION (CID) SPECIFICATION	CID PART NUMBER
1114R-23M-09510	MIL-T-55155/06	M55155/060I02	A-A-59126/06	AA59126/060I02
1114R-23M-09511	MIL-T-55155/06	M55155/061I02	A-A-59126/06	AA59126/061I02
1114R-23M-09512	MIL-T-55155/06	M55155/062I02	A-A-59126/06	AA59126/062I02
1114R-23M-09513	MIL-T-55155/06	M55155/063I02	A-A-59126/06	AA59126/063I02
1114R-23M-09514	MIL-T-55155/06	M55155/064I02	A-A-59126/06	AA59126/064I02
1114R-23M-09515	MIL-T-55155/06	M55155/065I02	A-A-59126/06	AA59126/065I02
1114R-23M-09516	MIL-T-55155/06	M55155/066I02	A-A-59126/06	AA59126/066I02
1114R-23M-09517	MIL-T-55155/06	M55155/067I02	A-A-59126/06	AA59126/067I02
1114R-23M-09518	MIL-T-55155/06	M55155/068I02	A-A-59126/06	AA59126/068I02
1114R-23M-09519	MIL-T-55155/06	M55155/069I02	A-A-59126/06	AA59126/069I02

TOOLING:

INSTALLATION TOOL: ARBOR PRESS	INSTALLATION TOOL: ANVIL (ARBOR PRESS OPERATED)	INSTALLATION TOOL: PRESS-FIT / ROLL SWAGE / RIVET PUNCH (ARBOR PRESS OPERATED)	INSTALLATION TOOL: PRESS-FIT (HAND OPERATED)
TM1	TA1114R-23	TPI1114R-23	TTI1114R-23

NOTES:

DATASHEET NOTES

N/A

INSTRUCTION NOTES

SEE GENERAL PRESS FIT INSTALLATION INSTRUCTION ON CONCORD ELECTRONICS' WEBSITE WWW.CONCORD-ELECTRONICS.COM.