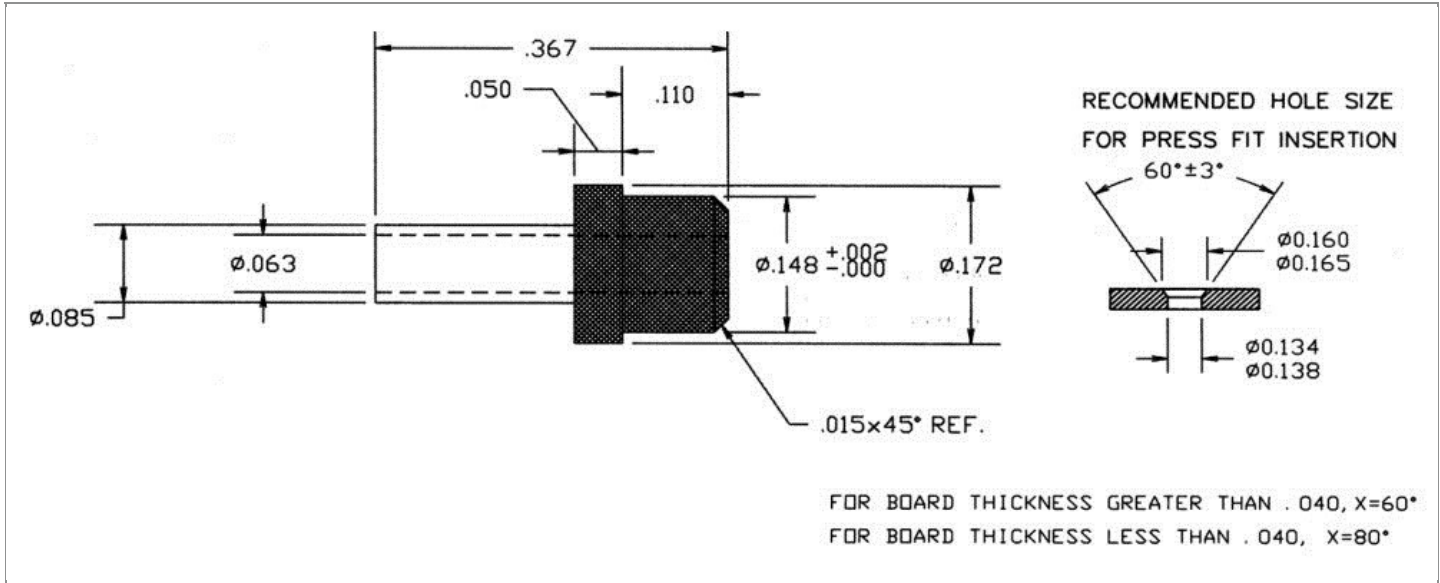


<b>DRAWING NUMBER:</b>	1114-23M-XXXXZ
<b>PRODUCT GROUP:</b>	TERMINALS
<b>SUB-GROUP:</b>	MILITARY INSULATED TERMINALS
<b>DESCRIPTION:</b>	PTFE INSULATED THRU-HOLE PIN TERMINAL



PIN DIAMETER	OVERALL LENGTH	MOUNTING ORIENTATION	BOARD / PANEL MOUNTING METHOD
0.085" ± 0.005	0.367"	VERTICAL	PRESS FIT
BOARD / PANEL THICKNESS	MOUNTING HOLE SIZE	DRILL SIZE	FEED THRU COMBINATION
UP TO 1/16"	0.136" ± 0.002	#29	N/A

**PART NO. STRUCTURE:\***

1114	-	23M	-	XX	XX
PART SERIES		DIMENSION		FINISH	INSULATION COLOR

\*If applicable, "Z" at the end of a PART NO. STRUCTURE indicates TERMINAL MATERIAL TYPE.

**MATERIAL OPTIONS:**

**1114-23M-XXXXZ**

COMPONENT	MATERIAL	MATERIAL AND SPECIFICATION
TERMINAL	PHOSPHOR BRONZE	PHOSPHOR BRONZE PER ASTM B139, ALLOY C54400
BASE/METAL SLEEVE	N/A	N/A
INSULATION*	PTFE	PTFE PER ASTM D1710
NUT	N/A	N/A
WASHER	N/A	N/A

\*For Insulation color, please see INSULATION COLOR OPTIONS on Page 2

FINISH - PLATING OPTIONS:

1114-23M-XXXXZ

FINISH CODE	COMPONENT	FINISH	FINISH AND SPECIFICATION
05	TERMINAL	ELECTRO-SOLDER	0.000300"MIN. ELECTRO-SOLDER PER SAE-AMS-P-81728 OVER 0.000100"MIN. COPPER PER SAE-AMS-2418
	BASE/METAL SLEEVE	N/A	N/A
	NUT	N/A	N/A
	WASHER	N/A	N/A
088	TERMINAL	BRIGHT TIN-LEAD	0.000300"MIN. BRIGHT TIN-LEAD (Sn93%-Pb7%) PER ASTM B545 OVER 0.000100"MIN. COPPER PER SAE-AMS-2418
	BASE/METAL SLEEVE	N/A	N/A
	NUT	N/A	N/A
	WASHER	N/A	N/A
095	TERMINAL	HOT SOLDER DIP	0.000100"MIN. HOT SOLDER DIP USING Sn60 PER IPC-J-STD-006 OVER 0.000100"MIN. COPPER PER SAE-AMS-2418
	BASE/METAL SLEEVE	N/A	N/A
	NUT	N/A	N/A
	WASHER	N/A	N/A

INSULATION COLOR OPTIONS:

1114-23M-XXXXZ

INSULATION COLOR	BLACK	BLUE	BROWN	GRAY	GREEN	ORANGE	RED	VIOLET	WHITE	YELLOW
COLOR CODE NO.	10	16	11	18	15	13	12	17	19	14

TOLERANCES:\*

DECIMAL	FRACTIONAL	ANGULAR	DRAWING ORIGINATION DATE	LAST MODIFICATION DATE
± 0.015	± 1/64	± 3 °	4/8/1996	3/1/2017

\*All dimensions are in inches.

RoHS COMPLIANCE:

1114-23M-05XXZ

PART NUMBER	RoHS COMPLIANT
1114-23M-0510Z	NO
1114-23M-0511Z	NO
1114-23M-0512Z	NO
1114-23M-0513Z	NO
1114-23M-0514Z	NO
1114-23M-0515Z	NO
1114-23M-0516Z	NO
1114-23M-0517Z	NO
1114-23M-0518Z	NO
1114-23M-0519Z	NO

1114-23M-088XXZ

PART NUMBER	RoHS COMPLIANT
1114-23M-08810Z	NO
1114-23M-08811Z	NO
1114-23M-08812Z	NO
1114-23M-08813Z	NO
1114-23M-08814Z	NO
1114-23M-08815Z	NO
1114-23M-08816Z	NO
1114-23M-08817Z	NO
1114-23M-08818Z	NO
1114-23M-08819Z	NO

1114-23M-095XXZ

PART NUMBER	RoHS COMPLIANT
1114-23M-09510Z	NO
1114-23M-09511Z	NO
1114-23M-09512Z	NO
1114-23M-09513Z	NO
1114-23M-09514Z	NO
1114-23M-09515Z	NO
1114-23M-09516Z	NO
1114-23M-09517Z	NO
1114-23M-09518Z	NO
1114-23M-09519Z	NO

MILITARY REFERENCE SPECIFICATIONS:

1114-23M-05XXZ

PART NUMBER	MIL SPECIFICATION	MIL PART NUMBER	COMMERCIAL ITEM DESCRIPTION (CID) SPECIFICATION	CID PART NUMBER
1114-23M-0510Z	MIL-T-55155/05	M55155/050B03 (FT050B03Z)	A-A-59126/05	AA59126/050B03
1114-23M-0511Z	MIL-T-55155/05	M55155/051B03 (FT051B03Z)	A-A-59126/05	AA59126/051B03
1114-23M-0512Z	MIL-T-55155/05	M55155/052B03 (FT052B03Z)	A-A-59126/05	AA59126/052B03
1114-23M-0513Z	MIL-T-55155/05	M55155/053B03 (FT053B03Z)	A-A-59126/05	AA59126/053B03
1114-23M-0514Z	MIL-T-55155/05	M55155/054B03 (FT054B03Z)	A-A-59126/05	AA59126/054B03
1114-23M-0515Z	MIL-T-55155/05	M55155/055B03 (FT055B03Z)	A-A-59126/05	AA59126/055B03
1114-23M-0516Z	MIL-T-55155/05	M55155/056B03 (FT056B03Z)	A-A-59126/05	AA59126/056B03
1114-23M-0517Z	MIL-T-55155/05	M55155/057B03 (FT057B03Z)	A-A-59126/05	AA59126/057B03
1114-23M-0518Z	MIL-T-55155/05	M55155/058B03 (FT058B03Z)	A-A-59126/05	AA59126/058B03
1114-23M-0519Z	MIL-T-55155/05	M55155/059B03 (FT059B03Z)	A-A-59126/05	AA59126/059B03

1114-23M-088XXZ

PART NUMBER	MIL SPECIFICATION	MIL PART NUMBER	COMMERCIAL ITEM DESCRIPTION (CID) SPECIFICATION	CID PART NUMBER
1114-23M-08810Z	MIL-T-55155/05	M55155/050D03	A-A-59126/05	AA59126/050D03
1114-23M-08811Z	MIL-T-55155/05	M55155/051D03	A-A-59126/05	AA59126/051D03
1114-23M-08812Z	MIL-T-55155/05	M55155/052D03	A-A-59126/05	AA59126/052D03
1114-23M-08813Z	MIL-T-55155/05	M55155/053D03	A-A-59126/05	AA59126/053D03
1114-23M-08814Z	MIL-T-55155/05	M55155/054D03	A-A-59126/05	AA59126/054D03

Continued on next page...

MILITARY REFERENCE SPECIFICATIONS CONTINUED:

1114-23M-088XXZ

PART NUMBER	MIL SPECIFICATION	MIL PART NUMBER	COMMERCIAL ITEM DESCRIPTION (CID) SPECIFICATION	CID PART NUMBER
1114-23M-08815Z	MIL-T-55155/05	M55155/055D03	A-A-59126/05	AA59126/055D03
1114-23M-08816Z	MIL-T-55155/05	M55155/056D03	A-A-59126/05	AA59126/056D03
1114-23M-08817Z	MIL-T-55155/05	M55155/057D03	A-A-59126/05	AA59126/057D03
1114-23M-08818Z	MIL-T-55155/05	M55155/058D03	A-A-59126/05	AA59126/058D03
1114-23M-08819Z	MIL-T-55155/05	M55155/059D03	A-A-59126/05	AA59126/059D03

1114-23M-095XXZ

PART NUMBER	MIL SPECIFICATION	MIL PART NUMBER	COMMERCIAL ITEM DESCRIPTION (CID) SPECIFICATION	CID PART NUMBER
1114-23M-09510Z	MIL-T-55155/05	M55155/050C03	A-A-59126/05	AA59126/050C03
1114-23M-09511Z	MIL-T-55155/05	M55155/051C03	A-A-59126/05	AA59126/051C03
1114-23M-09512Z	MIL-T-55155/05	M55155/052C03	A-A-59126/05	AA59126/052C03
1114-23M-09513Z	MIL-T-55155/05	M55155/053C03	A-A-59126/05	AA59126/053C03
1114-23M-09514Z	MIL-T-55155/05	M55155/054C03	A-A-59126/05	AA59126/054C03
1114-23M-09515Z	MIL-T-55155/05	M55155/055C03	A-A-59126/05	AA59126/055C03
1114-23M-09516Z	MIL-T-55155/05	M55155/056C03	A-A-59126/05	AA59126/056C03
1114-23M-09517Z	MIL-T-55155/05	M55155/057C03	A-A-59126/05	AA59126/057C03
1114-23M-09518Z	MIL-T-55155/05	M55155/058C03	A-A-59126/05	AA59126/058C03
1114-23M-09519Z	MIL-T-55155/05	M55155/059C03	A-A-59126/05	AA59126/059C03

TOOLING:

INSTALLATION TOOL: ARBOR PRESS	INSTALLATION TOOL: ANVIL (ARBOR PRESS OPERATED)	INSTALLATION TOOL: PRESS-FIT / ROLL SWAGE / RIVET PUNCH (ARBOR PRESS OPERATED)	INSTALLATION TOOL: PRESS-FIT (HAND OPERATED)
TM1	TA1114-23	TPI1114-23	TTI1114-23

NOTES:

<b>DATASHEET NOTES</b>
------------------------

N/A

<b>INSTRUCTION NOTES</b>
--------------------------

SEE GENERAL PRESS FIT INSTALLATION INSTRUCTION ON CONCORD ELECTRONICS' WEBSITE [WWW.CONCORD-ELECTRONICS.COM](http://WWW.CONCORD-ELECTRONICS.COM).