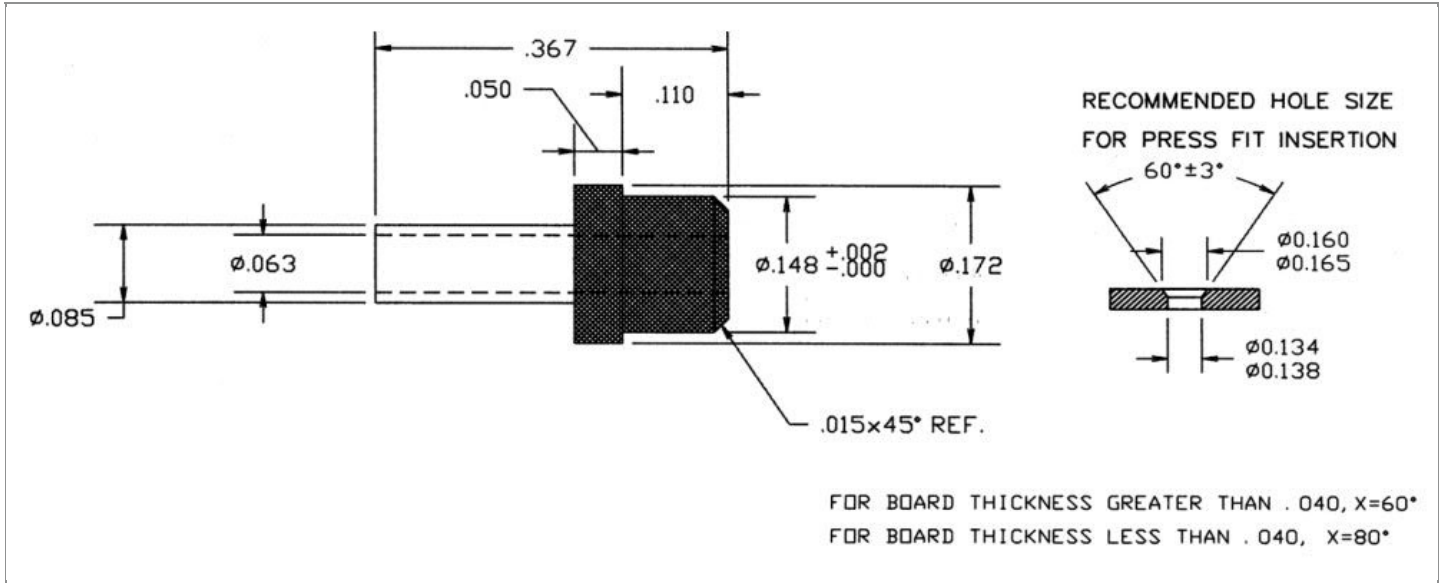


DRAWING NUMBER:	1114-23M-XXXX
PRODUCT GROUP:	TERMINALS
SUB-GROUP:	MILITARY INSULATED TERMINALS
DESCRIPTION:	PTFE INSULATED THRU-HOLE PIN TERMINAL



FOR BOARD THICKNESS GREATER THAN .040, X=60°
 FOR BOARD THICKNESS LESS THAN .040, X=80°

PIN DIAMETER	OVERALL LENGTH	MOUNTING ORIENTATION	BOARD / PANEL MOUNTING METHOD
0.085" ± 0.005	0.367"	VERTICAL	PRESS FIT
BOARD / PANEL THICKNESS	MOUNTING HOLE SIZE	DRILL SIZE	FEED THRU COMBINATION
UP TO 1/16"	0.136" ± 0.002	#29	N/A

PART NO. STRUCTURE:*

1114 - 23M - XX XX
 PART SERIES DIMENSION FINISH INSULATION COLOR

*If applicable, "Z" at the end of a PART NO. STRUCTURE indicates TERMINAL MATERIAL TYPE.

MATERIAL OPTIONS:

1114-23M-XXXX

COMPONENT	MATERIAL	MATERIAL AND SPECIFICATION
TERMINAL	BRASS	BRASS PER ASTM B16, ALLOY C36000, 1/2 HARD
BASE/METAL SLEEVE	N/A	N/A
INSULATION*	PTFE	PTFE PER ASTM D1710
NUT	N/A	N/A
WASHER	N/A	N/A

*For Insulation color, please see INSULATION COLOR OPTIONS on Page 2

FINISH - PLATING OPTIONS:

1114-23M-XXXX

FINISH CODE	COMPONENT	FINISH	FINISH AND SPECIFICATION
05	TERMINAL	ELECTRO-SOLDER	0.000300"MIN. ELECTRO-SOLDER PER SAE-AMS-P-81728 OVER 0.000100"MIN. COPPER PER SAE-AMS-2418
	BASE/METAL SLEEVE	N/A	N/A
	NUT	N/A	N/A
	WASHER	N/A	N/A
088	TERMINAL	BRIGHT TIN-LEAD	0.000300"MIN. BRIGHT TIN-LEAD (Sn93%-Pb7%) PER ASTM B545 OVER 0.000100"MIN. COPPER PER SAE-AMS-2418
	BASE/METAL SLEEVE	N/A	N/A
	NUT	N/A	N/A
	WASHER	N/A	N/A
095	TERMINAL	HOT SOLDER DIP	0.000100"MIN. HOT SOLDER DIP USING Sn60 PER IPC-J-STD-006 OVER 0.000100"MIN. COPPER PER SAE-AMS-2418
	BASE/METAL SLEEVE	N/A	N/A
	NUT	N/A	N/A
	WASHER	N/A	N/A

INSULATION COLOR OPTIONS:

1114-23M-XXXX

INSULATION COLOR	BLACK	BLUE	BROWN	GRAY	GREEN	ORANGE	RED	VIOLET	WHITE	YELLOW
COLOR CODE NO.	10	16	11	18	15	13	12	17	19	14

TOLERANCES:*

DECIMAL	FRACTIONAL	ANGULAR	DRAWING ORIGINATION DATE	LAST MODIFICATION DATE
± 0.015	± 1/64	± 3 °	4/8/1996	3/1/2017

*All dimensions are in inches.

RoHS COMPLIANCE:

1114-23M-05XX

PART NUMBER	RoHS COMPLIANT
1114-23M-0510	NO
1114-23M-0511	NO
1114-23M-0512	NO
1114-23M-0513	NO
1114-23M-0514	NO
1114-23M-0515	NO
1114-23M-0516	NO
1114-23M-0517	NO
1114-23M-0518	NO
1114-23M-0519	NO

1114-23M-088XX

PART NUMBER	RoHS COMPLIANT
1114-23M-08810	NO
1114-23M-08811	NO
1114-23M-08812	NO
1114-23M-08813	NO
1114-23M-08814	NO
1114-23M-08815	NO
1114-23M-08816	NO
1114-23M-08817	NO
1114-23M-08818	NO
1114-23M-08819	NO

1114-23M-095XX

PART NUMBER	RoHS COMPLIANT
1114-23M-09510	NO
1114-23M-09511	NO
1114-23M-09512	NO
1114-23M-09513	NO
1114-23M-09514	NO
1114-23M-09515	NO
1114-23M-09516	NO
1114-23M-09517	NO
1114-23M-09518	NO
1114-23M-09519	NO

MILITARY REFERENCE SPECIFICATIONS:

1114-23M-05XX

PART NUMBER	MIL SPECIFICATION	MIL PART NUMBER	COMMERCIAL ITEM DESCRIPTION (CID) SPECIFICATION	CID PART NUMBER
1114-23M-0510	MIL-T-55155/05	M55155/050H03 (FT050B03S)	A-A-59126/05	AA59126/050H03
1114-23M-0511	MIL-T-55155/05	M55155/051H03 (FT051B03S)	A-A-59126/05	AA59126/051H03
1114-23M-0512	MIL-T-55155/05	M55155/052H03 (FT052B03S)	A-A-59126/05	AA59126/052H03
1114-23M-0513	MIL-T-55155/05	M55155/053H03 (FT053B03S)	A-A-59126/05	AA59126/053H03
1114-23M-0514	MIL-T-55155/05	M55155/054H03 (FT054B03S)	A-A-59126/05	AA59126/054H03
1114-23M-0515	MIL-T-55155/05	M55155/055H03 (FT055B03S)	A-A-59126/05	AA59126/055H03
1114-23M-0516	MIL-T-55155/05	M55155/056H03 (FT056B03S)	A-A-59126/05	AA59126/056H03
1114-23M-0517	MIL-T-55155/05	M55155/057H03 (FT057B03S)	A-A-59126/05	AA59126/057H03
1114-23M-0518	MIL-T-55155/05	M55155/058H03 (FT058B03S)	A-A-59126/05	AA59126/058H03
1114-23M-0519	MIL-T-55155/05	M55155/059H03 (FT059B03S)	A-A-59126/05	AA59126/059H03

1114-23M-088XX

PART NUMBER	MIL SPECIFICATION	MIL PART NUMBER	COMMERCIAL ITEM DESCRIPTION (CID) SPECIFICATION	CID PART NUMBER
1114-23M-08810	MIL-T-55155/05	M55155/050J03	A-A-59126/05	AA59126/050J03 (AA59126/05003)
1114-23M-08811	MIL-T-55155/05	M55155/051J03	A-A-59126/05	AA59126/051J03 (AA59126/05103)
1114-23M-08812	MIL-T-55155/05	M55155/052J03	A-A-59126/05	AA59126/052J03 (AA59126/05203)
1114-23M-08813	MIL-T-55155/05	M55155/053J03	A-A-59126/05	AA59126/053J03 (AA59126/05303)
1114-23M-08814	MIL-T-55155/05	M55155/054J03	A-A-59126/05	AA59126/054J03 (AA59126/05403)

Continued on next page...

MILITARY REFERENCE SPECIFICATIONS CONTINUED:

1114-23M-088XX

PART NUMBER	MIL SPECIFICATION	MIL PART NUMBER	COMMERCIAL ITEM DESCRIPTION (CID) SPECIFICATION	CID PART NUMBER
1114-23M-08815	MIL-T-55155/05	M55155/055J03	A-A-59126/05	AA59126/055J03 (AA59126/05503)
1114-23M-08816	MIL-T-55155/05	M55155/056J03	A-A-59126/05	AA59126/056J03 (AA59126/05603)
1114-23M-08817	MIL-T-55155/05	M55155/057J03	A-A-59126/05	AA59126/057J03 (AA59126/05703)
1114-23M-08818	MIL-T-55155/05	M55155/058J03	A-A-59126/05	AA59126/058J03 (AA59126/05803)
1114-23M-08819	MIL-T-55155/05	M55155/059J03	A-A-59126/05	AA59126/059J03 (AA59126/05903)

1114-23M-095XX

PART NUMBER	MIL SPECIFICATION	MIL PART NUMBER	COMMERCIAL ITEM DESCRIPTION (CID) SPECIFICATION	CID PART NUMBER
1114-23M-09510	MIL-T-55155/05	M55155/050I03	A-A-59126/05	AA59126/050I03
1114-23M-09511	MIL-T-55155/05	M55155/051I03	A-A-59126/05	AA59126/051I03
1114-23M-09512	MIL-T-55155/05	M55155/052I03	A-A-59126/05	AA59126/052I03
1114-23M-09513	MIL-T-55155/05	M55155/053I03	A-A-59126/05	AA59126/053I03
1114-23M-09514	MIL-T-55155/05	M55155/054I03	A-A-59126/05	AA59126/054I03
1114-23M-09515	MIL-T-55155/05	M55155/055I03	A-A-59126/05	AA59126/055I03
1114-23M-09516	MIL-T-55155/05	M55155/056I03	A-A-59126/05	AA59126/056I03
1114-23M-09517	MIL-T-55155/05	M55155/057I03	A-A-59126/05	AA59126/057I03
1114-23M-09518	MIL-T-55155/05	M55155/058I03	A-A-59126/05	AA59126/058I03
1114-23M-09519	MIL-T-55155/05	M55155/059I03	A-A-59126/05	AA59126/059I03

TOOLING:

INSTALLATION TOOL: ARBOR PRESS	INSTALLATION TOOL: ANVIL (ARBOR PRESS OPERATED)	INSTALLATION TOOL: PRESS-FIT / ROLL SWAGE / RIVET PUNCH (ARBOR PRESS OPERATED)	INSTALLATION TOOL: PRESS-FIT (HAND OPERATED)
TM1	TA1114-23	TPI1114-23	TTI1114-23

NOTES:

DATASHEET NOTES

N/A

INSTRUCTION NOTES

SEE GENERAL PRESS FIT INSTALLATION INSTRUCTION ON CONCORD ELECTRONICS' WEBSITE WWW.CONCORD-ELECTRONICS.COM.