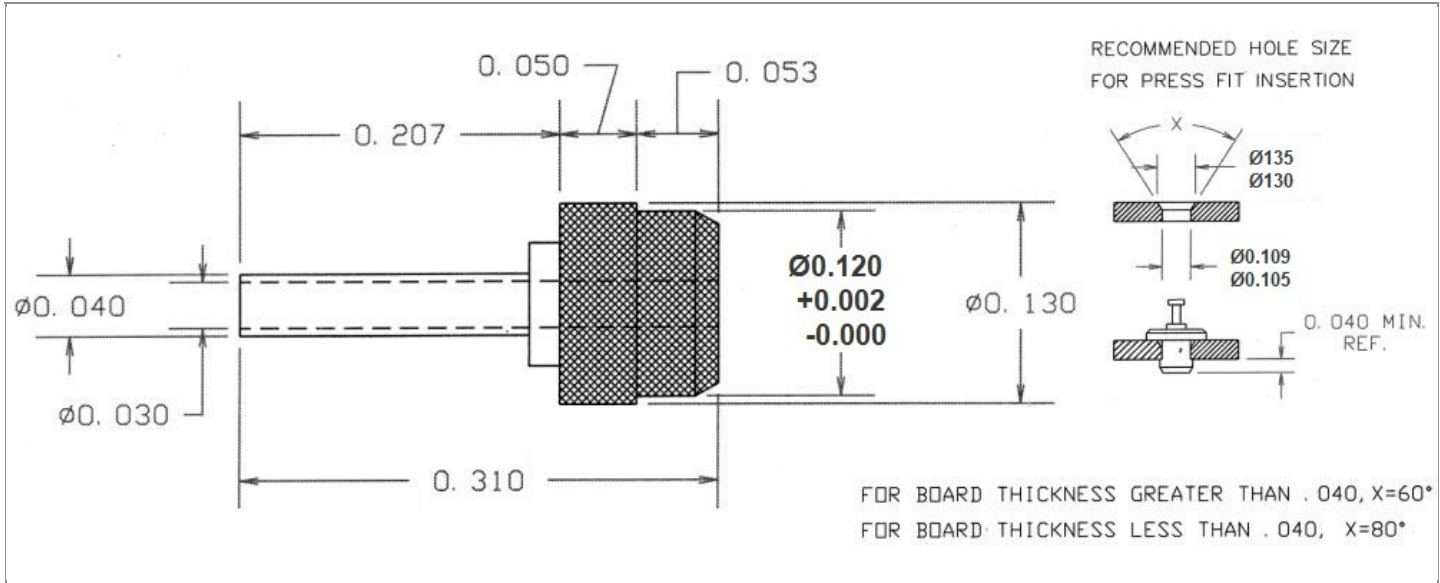


<b>DRAWING NUMBER:</b>	1114-08M-XXXX
<b>PRODUCT GROUP:</b>	TERMINALS
<b>SUB-GROUP:</b>	MILITARY INSULATED TERMINALS
<b>DESCRIPTION:</b>	PTFE INSULATED THRU-HOLE PIN TERMINAL



PIN DIAMETER	OVERALL LENGTH	MOUNTING ORIENTATION	BOARD / PANEL MOUNTING METHOD
0.040" ± 0.005	0.310"	VERTICAL	PRESS FIT

BOARD / PANEL THICKNESS	MOUNTING HOLE SIZE	DRILL SIZE	FEED THRU COMBINATION
UP TO 3/32"	0.108" ± 0.002	7/64"	N/A

**PART NO. STRUCTURE:\***

1114	-	08M	-	XX	XX
PART SERIES		DIMENSION		FINISH	INSULATION COLOR

\*If applicable, "Z" at the end of a PART NO. STRUCTURE indicates TERMINAL MATERIAL TYPE.

**MATERIAL OPTIONS:**

**1114-08M-XXXX**

COMPONENT	MATERIAL	MATERIAL AND SPECIFICATION
TERMINAL	BRASS	BRASS PER ASTM B16, ALLOY C36000, 1/2 HARD
BASE/METAL SLEEVE	N/A	N/A
INSULATION*	PTFE	PTFE PER ASTM D1710
NUT	N/A	N/A
WASHER	N/A	N/A

\*For Insulation color, please see INSULATION COLOR OPTIONS on Page 2

FINISH - PLATING OPTIONS:

1114-08M-XXXX

FINISH CODE	COMPONENT	FINISH	FINISH AND SPECIFICATION
05	TERMINAL	ELECTRO-SOLDER	0.000300"MIN. ELECTRO-SOLDER PER SAE-AMS-P-81728 OVER 0.000100"MIN. NICKEL PER SAE-AMS-QQ-N-290
	BASE/METAL SLEEVE	N/A	N/A
	NUT	N/A	N/A
	WASHER	N/A	N/A
088	TERMINAL	BRIGHT TIN-LEAD	0.000300"MIN. BRIGHT TIN-LEAD (Sn93%-Pb7%) PER ASTM B545 OVER 0.000100"MIN. NICKEL PER SAE-AMS-QQ-N-290
	BASE/METAL SLEEVE	N/A	N/A
	NUT	N/A	N/A
	WASHER	N/A	N/A
095	TERMINAL	HOT SOLDER DIP	0.000100"MIN. HOT SOLDER DIP USING Sn60 PER IPC-J-STD-006 OVER 0.000100"MIN. COPPER PER SAE-AMS-2418
	BASE/METAL SLEEVE	N/A	N/A
	NUT	N/A	N/A
	WASHER	N/A	N/A

INSULATION COLOR OPTIONS:

1114-08M-XXXX

INSULATION COLOR	BLACK	BLUE	BROWN	GRAY	GREEN	ORANGE	RED	VIOLET	WHITE	YELLOW
COLOR CODE NO.	10	16	11	18	15	13	12	17	19	14

TOLERANCES:\*

DECIMAL	FRACTIONAL	ANGULAR	DRAWING ORIENTATION DATE	LAST MODIFICATION DATE
± 0.015	± 1/64	± 3 °	3/16/1998	3/1/2017

\*All dimensions are in inches.

RoHS COMPLIANCE:

1114-08M-05XX

PART NUMBER	RoHS COMPLIANT
1114-08M-0510	NO
1114-08M-0511	NO
1114-08M-0512	NO
1114-08M-0513	NO
1114-08M-0514	NO
1114-08M-0515	NO
1114-08M-0516	NO
1114-08M-0517	NO
1114-08M-0518	NO
1114-08M-0519	NO

1114-08M-088XX

PART NUMBER	RoHS COMPLIANT
1114-08M-08810	NO
1114-08M-08811	NO
1114-08M-08812	NO
1114-08M-08813	NO
1114-08M-08814	NO
1114-08M-08815	NO
1114-08M-08816	NO
1114-08M-08817	NO
1114-08M-08818	NO
1114-08M-08819	NO

1114-08M-095XX

PART NUMBER	RoHS COMPLIANT
1114-08M-09510	NO
1114-08M-09511	NO
1114-08M-09512	NO
1114-08M-09513	NO
1114-08M-09514	NO
1114-08M-09515	NO
1114-08M-09516	NO
1114-08M-09517	NO
1114-08M-09518	NO
1114-08M-09519	NO

MILITARY REFERENCE SPECIFICATIONS:

1114-08M-05XX

PART NUMBER	MIL SPECIFICATION	MIL PART NUMBER	COMMERCIAL ITEM DESCRIPTION (CID) SPECIFICATION	CID PART NUMBER
1114-08M-0510	MIL-T-55155/05	M55155/050H02 (FT050B02S)	A-A-59126/05	AA59126/050H02
1114-08M-0511	MIL-T-55155/05	M55155/051H02 (FT051B02S)	A-A-59126/05	AA59126/051H02
1114-08M-0512	MIL-T-55155/05	M55155/052H02 (FT052B02S)	A-A-59126/05	AA59126/052H02
1114-08M-0513	MIL-T-55155/05	M55155/053H02 (FT053B02S)	A-A-59126/05	AA59126/053H02
1114-08M-0514	MIL-T-55155/05	M55155/054H02 (FT054B02S)	A-A-59126/05	AA59126/054H02
1114-08M-0515	MIL-T-55155/05	M55155/055H02 (FT055B02S)	A-A-59126/05	AA59126/055H02
1114-08M-0516	MIL-T-55155/05	M55155/056H02 (FT056B02S)	A-A-59126/05	AA59126/056H02
1114-08M-0517	MIL-T-55155/05	M55155/057H02 (FT057B02S)	A-A-59126/05	AA59126/057H02
1114-08M-0518	MIL-T-55155/05	M55155/058H02 (FT058B02S)	A-A-59126/05	AA59126/058H02
1114-08M-0519	MIL-T-55155/05	M55155/059H02 (FT059B02S)	A-A-59126/05	AA59126/059H02

1114-08M-088XX

PART NUMBER	MIL SPECIFICATION	MIL PART NUMBER	COMMERCIAL ITEM DESCRIPTION (CID) SPECIFICATION	CID PART NUMBER
1114-08M-08810	MIL-T-55155/05	M55155/050J02	A-A-59126/05	AA59126/050J02 (AA59126/05002)
1114-08M-08811	MIL-T-55155/05	M55155/051J02	A-A-59126/05	AA59126/051J02 (AA59126/05102)
1114-08M-08812	MIL-T-55155/05	M55155/052J02	A-A-59126/05	AA59126/052J02 (AA59126/05202)
1114-08M-08813	MIL-T-55155/05	M55155/053J02	A-A-59126/05	AA59126/053J02 (AA59126/05302)
1114-08M-08814	MIL-T-55155/05	M55155/054J02	A-A-59126/05	AA59126/054J02 (AA59126/05402)

Continued on next page...

MILITARY REFERENCE SPECIFICATIONS CONTINUED:

1114-08M-088XX

PART NUMBER	MIL SPECIFICATION	MIL PART NUMBER	COMMERCIAL ITEM DESCRIPTION (CID) SPECIFICATION	CID PART NUMBER
1114-08M-08815	MIL-T-55155/05	M55155/055J02	A-A-59126/05	AA59126/055J02 (AA59126/05502)
1114-08M-08816	MIL-T-55155/05	M55155/056J02	A-A-59126/05	AA59126/056J02 (AA59126/05602)
1114-08M-08817	MIL-T-55155/05	M55155/057J02	A-A-59126/05	AA59126/057J02 (AA59126/05702)
1114-08M-08818	MIL-T-55155/05	M55155/058J02	A-A-59126/05	AA59126/058J02 (AA59126/05802)
1114-08M-08819	MIL-T-55155/05	M55155/059J02	A-A-59126/05	AA59126/059J02 (AA59126/05902)

1114-08M-095XX

PART NUMBER	MIL SPECIFICATION	MIL PART NUMBER	COMMERCIAL ITEM DESCRIPTION (CID) SPECIFICATION	CID PART NUMBER
1114-08M-09510	MIL-T-55155/05	M55155/050I02	A-A-59126/05	AA59126/050I02
1114-08M-09511	MIL-T-55155/05	M55155/051I02	A-A-59126/05	AA59126/051I02
1114-08M-09512	MIL-T-55155/05	M55155/052I02	A-A-59126/05	AA59126/052I02
1114-08M-09513	MIL-T-55155/05	M55155/053I02	A-A-59126/05	AA59126/053I02
1114-08M-09514	MIL-T-55155/05	M55155/054I02	A-A-59126/05	AA59126/054I02
1114-08M-09515	MIL-T-55155/05	M55155/055I02	A-A-59126/05	AA59126/055I02
1114-08M-09516	MIL-T-55155/05	M55155/056I02	A-A-59126/05	AA59126/056I02
1114-08M-09517	MIL-T-55155/05	M55155/057I02	A-A-59126/05	AA59126/057I02
1114-08M-09518	MIL-T-55155/05	M55155/058I02	A-A-59126/05	AA59126/058I02
1114-08M-09519	MIL-T-55155/05	M55155/059I02	A-A-59126/05	AA59126/059I02

TOOLING:

INSTALLATION TOOL: ARBOR PRESS	INSTALLATION TOOL: ANVIL (ARBOR PRESS OPERATED)	INSTALLATION TOOL: PRESS-FIT / ROLL SWAGE / RIVET PUNCH (ARBOR PRESS OPERATED)	INSTALLATION TOOL: PRESS-FIT (HAND OPERATED)
TM1	TA1114-08	TP1114-08	TT1114-08

NOTES:

<b>DATASHEET NOTES</b>
------------------------

N/A

<b>INSTRUCTION NOTES</b>
--------------------------

SEE GENERAL PRESS FIT INSTALLATION INSTRUCTION ON CONCORD ELECTRONICS' WEBSITE [WWW.CONCORD-ELECTRONICS.COM](http://WWW.CONCORD-ELECTRONICS.COM).