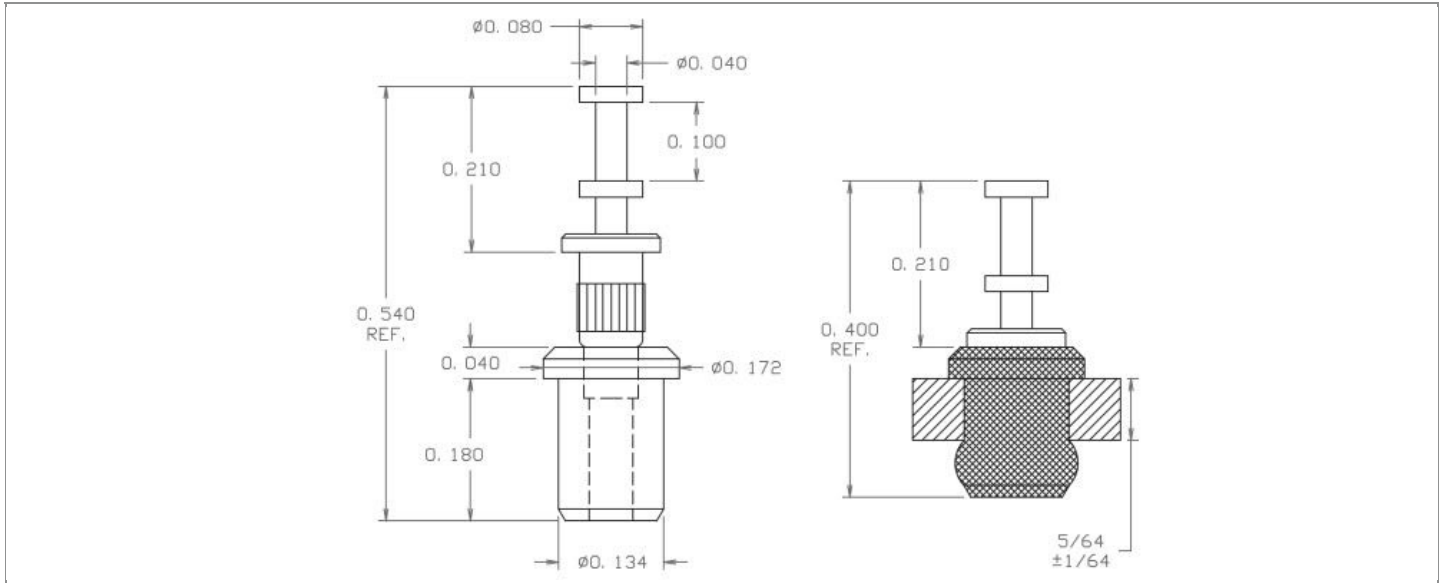


| | |
|------------------------|---------------------------------------|
| DRAWING NUMBER: | 1177-12-XXXX |
| PRODUCT GROUP: | TERMINALS |
| SUB-GROUP: | COMMERCIAL INSULATED TERMINALS |
| DESCRIPTION: | PTFE INSULATED DOUBLE TURRET TERMINAL |



| OVERALL LENGTH | PIN DIAMETER | FEED THRU COMBINATION | BOARD / PANEL MOUNTING METHOD |
|------------------|-------------------------|-----------------------|-------------------------------|
| 0.400" REF. | N/A | N/A | PRESS LOCK |
| SHANK LENGTH (L) | BOARD / PANEL THICKNESS | MOUNTING HOLE SIZE | DRILL SIZE |
| N/A | 1/16" - 3/32" | 0.136" ± 0.002 | #29 |

PART NO. STRUCTURE:

| | | | | | |
|-------------|---|-----------|---|--------|------------------|
| 1177 | - | 12 | - | XX | XX |
| PART SERIES | | DIMENSION | | FINISH | INSULATION COLOR |

MATERIAL OPTIONS:

1177-12-XXXX

| COMPONENT | MATERIAL | MATERIAL AND SPECIFICATION |
|-------------------|----------|--|
| TERMINAL | BRASS | BRASS PER ASTM B16, ALLOY C36000, 1/2 HARD |
| BASE/METAL SLEEVE | N/A | N/A |
| INSULATION* | PTFE | PTFE PER ASTM D1710 |
| NUT | N/A | N/A |
| WASHER | N/A | N/A |

*For Insulation color, please see INSULATION COLOR OPTIONS on Page 3

FINISH - PLATING OPTIONS:

1177-12-XXXX

| FINISH CODE | COMPONENT | FINISH | FINISH AND SPECIFICATION |
|-------------|-------------------|--------------------|---|
| 01 | TERMINAL | SILVER | 0.000300"MIN. SILVER PER ASTM B700, TYPE 2, GRADE D WITH A NON-CHROMATE PRESERVATIVE TREATMENT |
| | BASE/METAL SLEEVE | N/A | N/A |
| | NUT | N/A | N/A |
| | WASHER | N/A | N/A |
| 03 | TERMINAL | GOLD | 0.00010"MIN. GOLD PER ASTM B488, TYPE II, CODE C OVER 0.000100"MIN. NICKEL PER SAE-AMS-QQ-N-290 |
| | BASE/METAL SLEEVE | N/A | N/A |
| | NUT | N/A | N/A |
| | WASHER | N/A | N/A |
| 04 | TERMINAL | ELECTRO-TIN | 0.000300"MIN. ELECTRO-TIN PER ASTM B545 OVER 0.000100"MIN. NICKEL PER SAE-AMS-QQ-N-290 |
| | BASE/METAL SLEEVE | N/A | N/A |
| | NUT | N/A | N/A |
| | WASHER | N/A | N/A |
| 044 | TERMINAL | BRIGHT ELECTRO-TIN | 0.000300"MIN. BRIGHT ELECTRO-TIN PER ASTM B545 OVER 0.000100"MIN. NICKEL PER SAE-AMS-QQ-N-290 |
| | BASE/METAL SLEEVE | N/A | N/A |
| | NUT | N/A | N/A |
| | WASHER | N/A | N/A |
| 05 | TERMINAL | ELECTRO-SOLDER | 0.000300"MIN. ELECTRO-SOLDER PER SAE-AMS-P-81728 OVER 0.000100"MIN. NICKEL PER SAE-AMS-QQ-N-290 |
| | BASE/METAL SLEEVE | N/A | N/A |
| | NUT | N/A | N/A |
| | WASHER | N/A | N/A |
| 088 | TERMINAL | BRIGHT TIN-LEAD | 0.000300"MIN. BRIGHT TIN-LEAD (Sn93%-Pb7%) PER ASTM B545 OVER 0.000100"MIN. NICKEL PER SAE-AMS-QQ-N-290 |
| | BASE/METAL SLEEVE | N/A | N/A |
| | NUT | N/A | N/A |
| | WASHER | N/A | N/A |

INSULATION COLOR OPTIONS:

1177-12-XX **XX**

| INSULATION COLOR | BLACK | BLUE | BROWN | GRAY | GREEN | ORANGE | RED | VIOLET | WHITE | YELLOW |
|------------------|-------|------|-------|------|-------|--------|-----|--------|-------|--------|
| COLOR CODE NO. | 10 | 16 | 11 | 18 | 15 | 13 | 12 | 17 | 19 | 14 |

TOLERANCES:*

| DECIMAL | FRACTIONAL | ANGULAR | DRAWING ORIGATION DATE | LAST MODIFICATION DATE |
|---------|------------|---------|------------------------|------------------------|
| ± 0.005 | ± 1/64 | ± 5 ° | 10/27/2000 | 1/15/2017 |

*All dimensions are in inches.

RoHS COMPLIANCE:

1177-12-01XX

| PART NUMBER | RoHS COMPLIANT |
|--------------|----------------|
| 1177-12-0110 | YES |
| 1177-12-0111 | NO |
| 1177-12-0112 | NO |
| 1177-12-0113 | NO |
| 1177-12-0114 | NO |
| 1177-12-0115 | YES |
| 1177-12-0116 | YES |
| 1177-12-0117 | YES |
| 1177-12-0118 | NO |
| 1177-12-0119 | YES |

1177-12-03XX

| PART NUMBER | RoHS COMPLIANT |
|--------------|----------------|
| 1177-12-0310 | YES |
| 1177-12-0311 | NO |
| 1177-12-0312 | NO |
| 1177-12-0313 | NO |
| 1177-12-0314 | NO |
| 1177-12-0315 | YES |
| 1177-12-0316 | YES |
| 1177-12-0317 | YES |
| 1177-12-0318 | NO |
| 1177-12-0319 | YES |

1177-12-04XX

| PART NUMBER | RoHS COMPLIANT |
|--------------|----------------|
| 1177-12-0410 | YES |
| 1177-12-0411 | NO |
| 1177-12-0412 | NO |
| 1177-12-0413 | NO |
| 1177-12-0414 | NO |
| 1177-12-0415 | YES |
| 1177-12-0416 | YES |
| 1177-12-0417 | YES |
| 1177-12-0418 | NO |
| 1177-12-0419 | YES |

1177-12-044XX

| PART NUMBER | RoHS COMPLIANT |
|---------------|----------------|
| 1177-12-04410 | YES |
| 1177-12-04411 | NO |
| 1177-12-04412 | NO |
| 1177-12-04413 | NO |
| 1177-12-04414 | NO |
| 1177-12-04415 | YES |
| 1177-12-04416 | YES |
| 1177-12-04417 | YES |
| 1177-12-04418 | NO |
| 1177-12-04419 | YES |

1177-12-05XX

| PART NUMBER | RoHS COMPLIANT |
|--------------|----------------|
| 1177-12-0510 | NO |
| 1177-12-0511 | NO |
| 1177-12-0512 | NO |
| 1177-12-0513 | NO |
| 1177-12-0514 | NO |
| 1177-12-0515 | NO |
| 1177-12-0516 | NO |
| 1177-12-0517 | NO |
| 1177-12-0518 | NO |
| 1177-12-0519 | NO |

1177-12-088XX

| PART NUMBER | RoHS COMPLIANT |
|---------------|----------------|
| 1177-12-08810 | NO |
| 1177-12-08811 | NO |
| 1177-12-08812 | NO |
| 1177-12-08813 | NO |
| 1177-12-08814 | NO |
| 1177-12-08815 | NO |
| 1177-12-08816 | NO |
| 1177-12-08817 | NO |
| 1177-12-08818 | NO |
| 1177-12-08819 | NO |

TOOLING:

| INSTALLATION TOOL: ARBOR PRESS | INSTALLATION TOOL: ANVIL (ARBOR PRESS OPERATED) | INSTALLATION TOOL: PRESS-FIT / ROLL SWAGE / RIVET PUNCH (ARBOR PRESS OPERATED) | INSTALLATION TOOL: PRESS-FIT (HAND OPERATED) |
|-----------------------------------|---|--|--|
| TM1 | TA1177-12 | TPI1177-12 | N/A |

NOTES:

DATASHEET NOTES

PIN TERMINAL AND BUSHING (INSULATION) SUPPLIED PARTIALLY ASSEMBLED.

INSTRUCTION NOTES

THIS PTFE INSULATED TERMINAL PROVIDES AN EXTRA SECURE MOUNTING ONTO THE BOARD OR CHASSIS. IN ADDITION, EACH TERMINAL BODY IS KNURLED TO PREVENT TERMINAL ROTATION. TO INSTALL, FIRST THE BUSHING IS INSERTED INTO THE MOUNTING HOLE. THE TERMINAL IS THEN PRESSED INTO THE BUSHING TO THE DRAWING DIMENSIONS. THE DIAMETER OF THE PTFE BUSHING THAT EXTENDS PAST THE BACK SIDE OF THE BOARD EXPANDS TO ANCHOR THE PIN/BUSHING ASSEMBLY IN PLACE. SEE GENERAL PRESS LOCK INSTALLATION INSTRUCTION ON CONCORD ELECTRONICS' WEBSITE WWW.CONCORD-ELECTRONICS.COM.