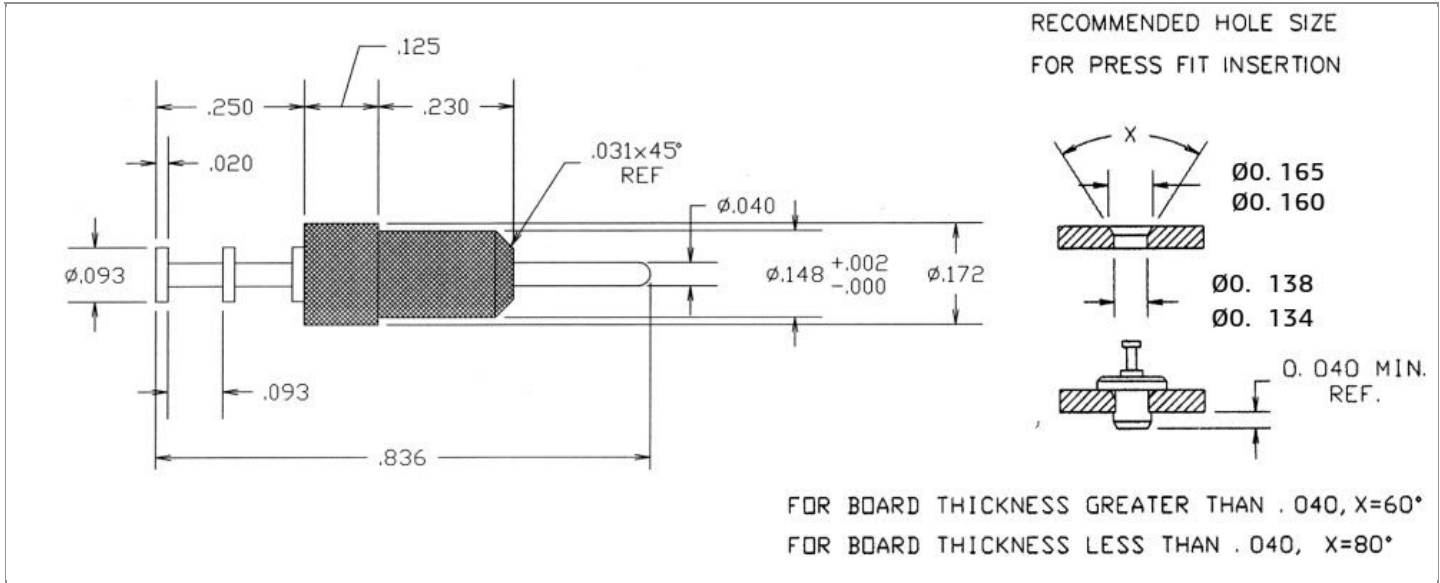


DRAWING NUMBER:	1133-02M-XXXXZ
PRODUCT GROUP:	TERMINALS
SUB-GROUP:	MILITARY INSULATED TERMINALS
DESCRIPTION:	PTFE INSULATED FEED THRU (DOUBLE TURRET/PIN) TERMINAL



PIN DIAMETER	OVERALL LENGTH	MOUNTING ORIENTATION	BOARD / PANEL MOUNTING METHOD
0.040" ± 0.005	0.836"	VERTICAL	PRESS FIT

BOARD / PANEL THICKNESS	MOUNTING HOLE SIZE	DRILL SIZE	FEED THRU COMBINATION
UP TO 3/16"	0.136" ± 0.002	#29	DOUBLE TURRET/PIN

PART NO. STRUCTURE:*

1133	-	02M	-	XX	XX
PART SERIES		DIMENSION		FINISH	INSULATION COLOR

*If applicable, "Z" at the end of a PART NO. STRUCTURE indicates TERMINAL MATERIAL TYPE.

MATERIAL OPTIONS:

1133-02M-XXXXZ

COMPONENT	MATERIAL	MATERIAL AND SPECIFICATION
TERMINAL	PHOSPHOR BRONZE	PHOSPHOR BRONZE PER ASTM B139, ALLOY C54400
BASE/METAL SLEEVE	N/A	N/A
INSULATION*	PTFE	PTFE PER ASTM D1710
NUT	N/A	N/A
WASHER	N/A	N/A

*For Insulation color, please see INSULATION COLOR OPTIONS on Page 2

FINISH - PLATING OPTIONS:

1133-02M-XXXXZ

FINISH CODE	COMPONENT	FINISH	FINISH AND SPECIFICATION
05	TERMINAL	ELECTRO-SOLDER	0.000300"MIN. ELECTRO-SOLDER PER SAE-AMS-P-81728 OVER 0.000100"MIN. COPPER PER SAE-AMS-2418
	BASE/METAL SLEEVE	N/A	N/A
	NUT	N/A	N/A
	WASHER	N/A	N/A
088	TERMINAL	BRIGHT TIN-LEAD	0.000300"MIN. BRIGHT TIN-LEAD (Sn93%-Pb7%) PER ASTM B545 OVER 0.000100"MIN. COPPER PER SAE-AMS-2418
	BASE/METAL SLEEVE	N/A	N/A
	NUT	N/A	N/A
	WASHER	N/A	N/A
095	TERMINAL	HOT SOLDER DIP	0.000100"MIN. HOT SOLDER DIP USING Sn60 PER IPC-J-STD-006 OVER 0.000100"MIN. COPPER PER SAE-AMS-2418
	BASE/METAL SLEEVE	N/A	N/A
	NUT	N/A	N/A
	WASHER	N/A	N/A

INSULATION COLOR OPTIONS:

1133-02M-XXXXZ

INSULATION COLOR	BLACK	BLUE	BROWN	GRAY	GREEN	ORANGE	RED	VIOLET	WHITE	YELLOW
COLOR CODE NO.	10	16	11	18	15	13	12	17	19	14

TOLERANCES:*

DECIMAL	FRACTIONAL	ANGULAR	DRAWING ORIENTATION DATE	LAST MODIFICATION DATE
± 0.015	± 1/64	± 3 °	11/14/1996	3/1/2017

*All dimensions are in inches.

RoHS COMPLIANCE:

1133-02M-05XXZ

PART NUMBER	RoHS COMPLIANT
1133-02M-0510Z	NO
1133-02M-0511Z	NO
1133-02M-0512Z	NO
1133-02M-0513Z	NO
1133-02M-0514Z	NO
1133-02M-0515Z	NO
1133-02M-0516Z	NO
1133-02M-0517Z	NO
1133-02M-0518Z	NO
1133-02M-0519Z	NO

1133-02M-088XXZ

PART NUMBER	RoHS COMPLIANT
1133-02M-08810Z	NO
1133-02M-08811Z	NO
1133-02M-08812Z	NO
1133-02M-08813Z	NO
1133-02M-08814Z	NO
1133-02M-08815Z	NO
1133-02M-08816Z	NO
1133-02M-08817Z	NO
1133-02M-08818Z	NO
1133-02M-08819Z	NO

1133-02M-095XXZ

PART NUMBER	RoHS COMPLIANT
1133-02M-09510Z	NO
1133-02M-09511Z	NO
1133-02M-09512Z	NO
1133-02M-09513Z	NO
1133-02M-09514Z	NO
1133-02M-09515Z	NO
1133-02M-09516Z	NO
1133-02M-09517Z	NO
1133-02M-09518Z	NO
1133-02M-09519Z	NO

MILITARY REFERENCE SPECIFICATIONS:

1133-02M-05XXZ

PART NUMBER	MIL SPECIFICATION	MIL PART NUMBER	COMMERCIAL ITEM DESCRIPTION (CID) SPECIFICATION	CID PART NUMBER
1133-02M-0510Z	MIL-T-55155/04	M55155/040B02 (FT040B02Z)	A-A-59126/04	AA59126/040B02
1133-02M-0511Z	MIL-T-55155/04	M55155/041B02 (FT041B02Z)	A-A-59126/04	AA59126/041B02
1133-02M-0512Z	MIL-T-55155/04	M55155/042B02 (FT042B02Z)	A-A-59126/04	AA59126/042B02
1133-02M-0513Z	MIL-T-55155/04	M55155/043B02 (FT043B02Z)	A-A-59126/04	AA59126/043B02
1133-02M-0514Z	MIL-T-55155/04	M55155/044B02 (FT044B02Z)	A-A-59126/04	AA59126/044B02
1133-02M-0515Z	MIL-T-55155/04	M55155/045B02 (FT045B02Z)	A-A-59126/04	AA59126/045B02
1133-02M-0516Z	MIL-T-55155/04	M55155/046B02 (FT046B02Z)	A-A-59126/04	AA59126/046B02
1133-02M-0517Z	MIL-T-55155/04	M55155/047B02 (FT047B02Z)	A-A-59126/04	AA59126/047B02
1133-02M-0518Z	MIL-T-55155/04	M55155/048B02 (FT048B02Z)	A-A-59126/04	AA59126/048B02
1133-02M-0519Z	MIL-T-55155/04	M55155/049B02 (FT049B02Z)	A-A-59126/04	AA59126/049B02

1133-02M-088XXZ

PART NUMBER	MIL SPECIFICATION	MIL PART NUMBER	COMMERCIAL ITEM DESCRIPTION (CID) SPECIFICATION	CID PART NUMBER
1133-02M-08810Z	MIL-T-55155/04	M55155/040D02	A-A-59126/04	AA59126/040D02
1133-02M-08811Z	MIL-T-55155/04	M55155/041D02	A-A-59126/04	AA59126/041D02
1133-02M-08812Z	MIL-T-55155/04	M55155/042D02	A-A-59126/04	AA59126/042D02
1133-02M-08813Z	MIL-T-55155/04	M55155/043D02	A-A-59126/04	AA59126/043D02
1133-02M-08814Z	MIL-T-55155/04	M55155/044D02	A-A-59126/04	AA59126/044D02

Continued on next page...

MILITARY REFERENCE SPECIFICATIONS CONTINUED:

1133-02M-088XXZ

PART NUMBER	MIL SPECIFICATION	MIL PART NUMBER	COMMERCIAL ITEM DESCRIPTION (CID) SPECIFICATION	CID PART NUMBER
1133-02M-08815Z	MIL-T-55155/04	M55155/045D02	A-A-59126/04	AA59126/045D02
1133-02M-08816Z	MIL-T-55155/04	M55155/046D02	A-A-59126/04	AA59126/046D02
1133-02M-08817Z	MIL-T-55155/04	M55155/047D02	A-A-59126/04	AA59126/047D02
1133-02M-08818Z	MIL-T-55155/04	M55155/048D02	A-A-59126/04	AA59126/048D02
1133-02M-08819Z	MIL-T-55155/04	M55155/049D02	A-A-59126/04	AA59126/049D02

1133-02M-095XXZ

PART NUMBER	MIL SPECIFICATION	MIL PART NUMBER	COMMERCIAL ITEM DESCRIPTION (CID) SPECIFICATION	CID PART NUMBER
1133-02M-09510Z	MIL-T-55155/04	M55155/040C02	A-A-59126/04	AA59126/040C02
1133-02M-09511Z	MIL-T-55155/04	M55155/041C02	A-A-59126/04	AA59126/041C02
1133-02M-09512Z	MIL-T-55155/04	M55155/042C02	A-A-59126/04	AA59126/042C02
1133-02M-09513Z	MIL-T-55155/04	M55155/043C02	A-A-59126/04	AA59126/043C02
1133-02M-09514Z	MIL-T-55155/04	M55155/044C02	A-A-59126/04	AA59126/044C02
1133-02M-09515Z	MIL-T-55155/04	M55155/045C02	A-A-59126/04	AA59126/045C02
1133-02M-09516Z	MIL-T-55155/04	M55155/046C02	A-A-59126/04	AA59126/046C02
1133-02M-09517Z	MIL-T-55155/04	M55155/047C02	A-A-59126/04	AA59126/047C02
1133-02M-09518Z	MIL-T-55155/04	M55155/048C02	A-A-59126/04	AA59126/048C02
1133-02M-09519Z	MIL-T-55155/04	M55155/049C02	A-A-59126/04	AA59126/049C02

TOOLING:

INSTALLATION TOOL: ARBOR PRESS	INSTALLATION TOOL: ANVIL (ARBOR PRESS OPERATED)	INSTALLATION TOOL: PRESS-FIT / ROLL SWAGE / RIVET PUNCH (ARBOR PRESS OPERATED)	INSTALLATION TOOL: PRESS-FIT (HAND OPERATED)
TM1	TA1133-02	TPI1133-02	TTI1133-02

NOTES:

DATASHEET NOTES

N/A

INSTRUCTION NOTES

SEE GENERAL PRESS FIT INSTALLATION INSTRUCTION ON CONCORD ELECTRONICS' WEBSITE WWW.CONCORD-ELECTRONICS.COM.