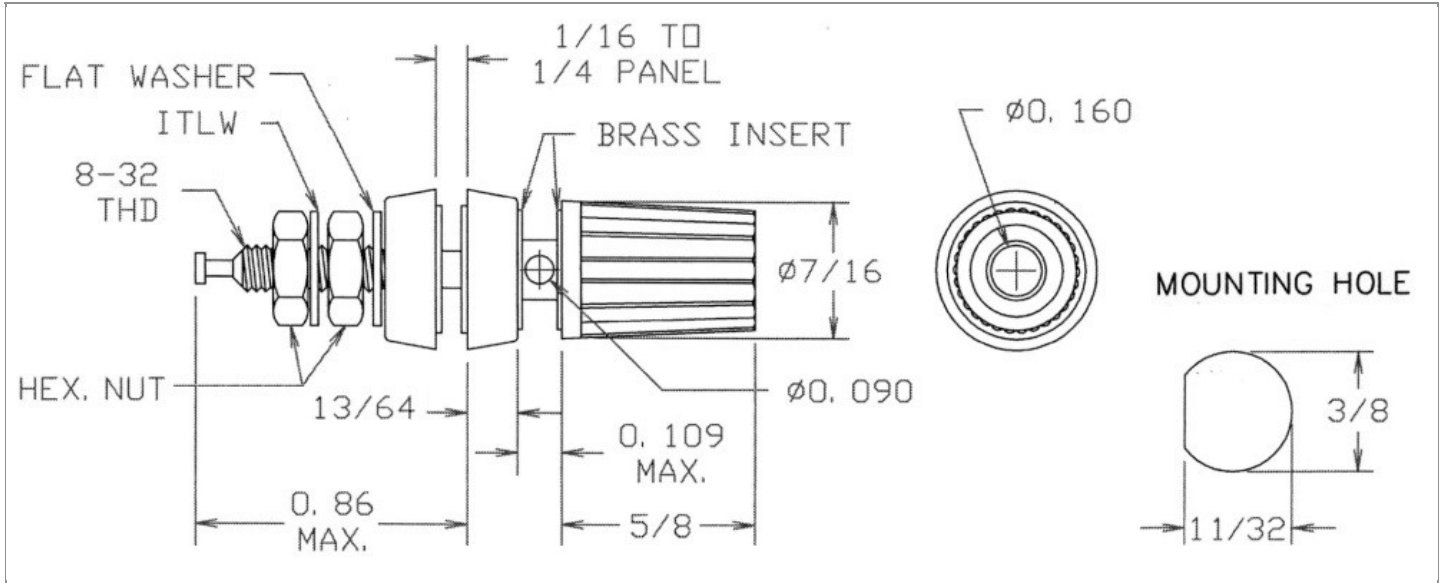


<b>DRAWING NUMBER:</b>	<b>01-1104-1-03XX</b>
<b>PRODUCT GROUP:</b>	BINDING POSTS
<b>SUB-GROUP:</b>	MILITARY BINDING POSTS
<b>DESCRIPTION:</b>	MINIATURE FLUTED HEAD BINDING POST



OVERALL LENGTH	BOARD / PANEL MOUNTING METHOD	MOUNTING HOLE SIZE	DRILL SIZE	BOARD / PANEL THICKNESS
1.657" MAX.	THREAD MOUNT (8-32 NUT)	3/8" x 11/32" "D" HOLE	3/8"	1/16" - 1/4"

**PART NO. STRUCTURE:**

01-1104 - 1 - XX XX  
 PART SERIES    DIMENSION    FINISH    INSULATION COLOR

**MATERIAL OPTIONS:**

**01-1104-1-XXXX**

COMPONENT	MATERIAL	MATERIAL AND SPECIFICATION
BODY	BRASS	BRASS PER ASTM B16, ALLOY C36000, 1/2 HARD
HEAD	POLYCARBONATE	POLYCARBONATE PER ASTM D3935
INSULATION*	POLYCARBONATE	POLYCARBONATE PER ASTM D3935
SPRING (CAGE)	N/A	N/A
NUT	BRASS	BRASS PER ASTM B16, ALLOY C36000, 1/2 HARD
WASHER	PHOSPHOR BRONZE	PHOSPHOR BRONZE PER ASTM B103/B139, ALLOY C51000

\*For Insulation color, please see INSULATION COLOR OPTIONS on Page 2

## FINISH - PLATING OPTIONS:

01-1104-1-XXXX

FINISH CODE	COMPONENT	FINISH	FINISH AND SPECIFICATION
03	BODY	GOLD	GOLD FLASH PER ASTM B488, TYPE II, CODE C OVER NICKEL PER SAE-AMS-QQ-N-290
	HEAD	N/A	N/A
	SPRING (CAGE)	N/A	N/A
	NUT	GOLD	GOLD FLASH PER ASTM B488, TYPE II, CODE C OVER NICKEL PER SAE-AMS-QQ-N-290
	WASHER	GOLD	GOLD FLASH PER ASTM B488, TYPE II, CODE C OVER NICKEL PER SAE-AMS-QQ-N-290

## INSULATION COLOR OPTIONS:

01-1104-1-XXXX

INSULATION COLOR	BLACK	RED
COLOR CODE NO.	10	12

## TOLERANCES:\*

DECIMAL	FRACTIONAL	ANGULAR	DRAWING ORIGINATION DATE	LAST MODIFICATION DATE
.XXX ± 0.005 / .XX ± 0.01	± 1/64	N/A	6/23/1998	5/1/2017

\*All dimensions are in inches.

## RoHS COMPLIANCE:

01-1104-1-03XX

PART NUMBER	RoHS COMPLIANT
01-1104-1-0310	YES
01-1104-1-0312	YES

## MILITARY REFERENCE SPECIFICATIONS:

01-1104-1-03XX

PART NUMBER	MIL SPECIFICATION	MIL PART NUMBER	COMMERCIAL ITEM DESCRIPTION (CID) SPECIFICATION	CID PART NUMBER
01-1104-1-0310	MIL-P-55149/01	MIL-P-55149/01-FA-02 (PB01FA02)	A-A-59560	AA59560-2 (N/A~)
01-1104-1-0312	MIL-P-55149/01	MIL-P-55149/01-FA-01 (PB01FA01)	A-A-59560	AA59560-1 (N/A~)

NOTES:

**DATASHEET NOTES**

RATED: 15 AMPERES CURRENT CAPACITY, 1000 VDC WORKING LIMIT. POST IS COMPLETELY INSULATED FROM CHASSIS. FOR PANELS FROM 1/16" TO 1/4" THICK. FIVE WAY BINDING POST: ACCEPTS STANDARD BANANA PLUG, CLIP LEAD TO SHAFT, LOOP WIRE AROUND SHAFT AND CLAMP WITH HEAD, INSERT WIRE THRU CROSS HOLE AND CLAMP WITH HEAD, SPADE LUG CLAMPED WITH HEAD. SUPPLIED WITH HARDWARE.

**INSTRUCTION NOTES**

SUPPLIED WITH: TWO GOLD PLATED BRASS HEX NUTS P/N 701-7323-03 (8-32 x 11/32" x 1/8"), ONE GOLD PLATED PHOSPHOR BRONZE #8 INTERNAL TOOTH LOCKWASHER P/N 701-7778-03, ONE GOLD PLATED BRASS #8 FLAT WASHER P/N 701-7761-03, MOLDED POLYCARBONATE WASHER. INSERT - GOLD PLATED BRASS.