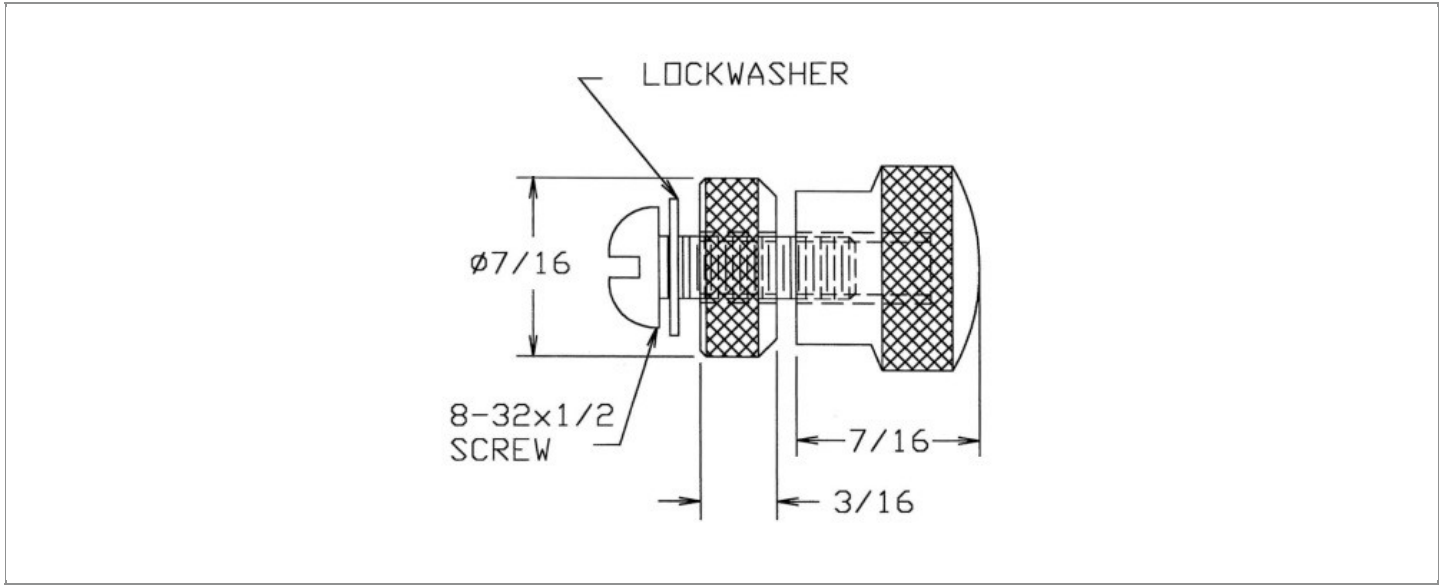


DRAWING NUMBER:	01-1051-1-XX
PRODUCT GROUP:	BINDING POSTS
SUB-GROUP:	COMMERCIAL GROUNDING BINDING POSTS
DESCRIPTION:	GROUNDING BINDING POST - ALL METAL



OVERALL LENGTH	BOARD / PANEL MOUNTING METHOD	MOUNTING HOLE SIZE	DRILL SIZE	BOARD / PANEL THICKNESS
0.788" MAX.	THREAD MOUNT (8-32 SCREW)	CLEARANCE FOR SCREW #8	#18	1/16" - 3/16"

PART NO. STRUCTURE:

01-1051	-	1	-	XX
PART SERIES		DIMENSION		FINISH

MATERIAL OPTIONS:

01-1051-1-XX

COMPONENT	MATERIAL	MATERIAL AND SPECIFICATION
BODY	BRASS	BRASS
HEAD	BRASS	BRASS
NUT	BRASS	BRASS
WASHER	STEEL	STEEL
SCREW	BRASS	BRASS

FINISH - PLATING OPTIONS:

01-1051-1-XX

FINISH CODE	COMPONENT	FINISH	FINISH AND SPECIFICATION
02	BODY	NICKEL	NICKEL
	HEAD	NICKEL	NICKEL
	NUT	NICKEL	NICKEL
	WASHER	ZINC	ZINC CLEAR
	SCREW	NICKEL	NICKEL

TOLERANCES:*

DECIMAL	FRACTIONAL	ANGULAR	DRAWING ORIGATION DATE	LAST MODIFICATION DATE
± 0.010	± 1/64	± 5°	5/19/1998	5/1/2017

*All dimensions are in inches.

RoHS COMPLIANCE:

01-1051-1-XX

PART NUMBER	RoHS COMPLIANT
01-1051-1-02	YES

NOTES:

DATASHEET NOTES

RATED: 15 AMPERES CONTINUOUS DUTY. ATTACHED TO BOARD WITH SCREW, LOCKWASHER AND KNURLED NUT. KNURLED METAL HEAD KNOB USES TO TIGHTEN LEAD/WIRE/SPADE LUG.

INSTRUCTION NOTES

SUPPLIED WITH: NICKEL PLATED BRASS KNURLED NUT (8-32 x 7/16" x 3/16"), ZINC PLATED #8 STEEL LOCKWASHER P/N 701-7708, NICKEL PLATED ROUND HEAD SLOTTED #8 SCREW P/N 701-7237-02 (8-32x1/2").