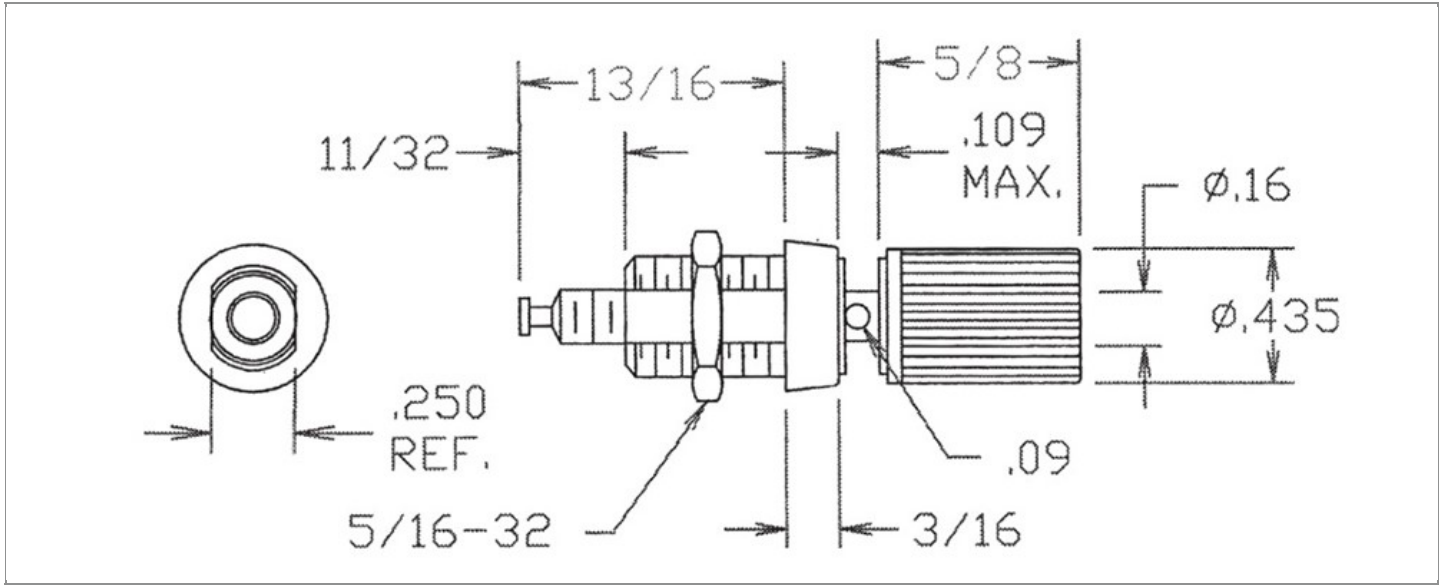


DRAWING NUMBER:	01-1044-1-XXXX
PRODUCT GROUP:	BINDING POSTS
SUB-GROUP:	COMMERCIAL BINDING POSTS
DESCRIPTION:	FLUTED HEAD 5 WAY BINDING POST



ACCEPTS PIN / PLUG / JACK SIZE	OVERALL LENGTH	BOARD / PANEL MOUNTING METHOD
STANDARD BANANA PLUG	1.734" MAX.	THREAD MOUNT (5/16-32 NUT)
MOUNTING HOLE SIZE	DRILL SIZE	BOARD / PANEL THICKNESS
5/16" x 9/32" "D" HOLE	5/16"	1/16" - 1/4"

PART NO. STRUCTURE:

01-1044	-	1	-	XX	XX
PART SERIES		DIMENSION		FINISH	INSULATION COLOR

MATERIAL OPTIONS:

01-1044-1-XXXX

COMPONENT	MATERIAL	MATERIAL AND SPECIFICATION
BODY	BRASS	BRASS PER ASTM B16, ALLOY C36000, 1/2 HARD
HEAD	POLYCARBONATE	POLYCARBONATE PER ASTM D3935
INSULATION*	NYLON	NYLON PER ASTM D4066
JACK SPRING	N/A	N/A
NUT	BRASS	BRASS PER ASTM B16, ALLOY C36000, 1/2 HARD
WASHER	N/A	N/A

*For Insulation color, please see INSULATION COLOR OPTIONS on Page 2

FINISH - PLATING OPTIONS:

01-1044-1-XXXX

FINISH CODE	COMPONENT	FINISH	FINISH AND SPECIFICATION
02	BODY	BRIGHT ELECTRO-TIN	0.000100"MIN. BRIGHT ELECTRO-TIN PER ASTM B545 OVER NICKEL PER SAE-AMS-QQ-N-290
	HEAD	N/A	N/A
	JACK SPRING	N/A	N/A
	NUT	NICKEL	0.000100"MIN. NICKEL PER SAE-AMS-QQ-N-290
	WASHER	N/A	N/A
03	BODY	GOLD	GOLD FLASH PER ASTM B488, TYPE II, CODE C OVER NICKEL PER SAE-AMS-QQ-N-290
	HEAD	N/A	N/A
	JACK SPRING	N/A	N/A
	NUT	GOLD	GOLD FLASH PER ASTM B488, TYPE II, CODE C OVER NICKEL PER SAE-AMS-QQ-N-290
	WASHER	N/A	N/A

INSULATION COLOR OPTIONS:

01-1044-1-XXXX

INSULATION COLOR	BLACK	BLUE	BROWN	GRAY	GREEN	ORANGE	RED	VIOLET	WHITE	YELLOW
COLOR CODE NO.	10	16	11	18	15	13	12	17	19	14

TOLERANCES:*

DECIMAL	FRACTIONAL	ANGULAR	DRAWING ORIGINATION DATE	LAST MODIFICATION DATE
± 0.010	± 1/64	N/A	9/7/1995	5/1/2017

*All dimensions are in inches.

RoHS COMPLIANCE:

01-1044-1-02XX

PART NUMBER	RoHS COMPLIANT
01-1044-1-0210	YES
01-1044-1-0211	YES
01-1044-1-0212	YES
01-1044-1-0213	YES
01-1044-1-0214	YES
01-1044-1-0215	YES
01-1044-1-0216	YES
01-1044-1-0217	YES
01-1044-1-0218	YES
01-1044-1-0219	YES

01-1044-1-03XX

PART NUMBER	RoHS COMPLIANT
01-1044-1-0310	YES
01-1044-1-0311	YES
01-1044-1-0312	YES
01-1044-1-0313	YES
01-1044-1-0314	YES
01-1044-1-0315	YES
01-1044-1-0316	YES
01-1044-1-0317	YES
01-1044-1-0318	YES
01-1044-1-0319	YES

NOTES:

DATASHEET NOTES

RATED: 15 AMPERES CURRENT CAPACITY. POST IS COMPLETELY INSULATED FROM CHASSIS. FOR PANELS FROM 1/16" TO 1/4" THICK. FIVE WAY BINDING POST: ACCEPTS STANDARD BANANA PLUG, CLIP LEAD TO SHAFT, LOOP UP TO 14 AWG WIRE AROUND SHAFT AND CLAMP WITH HEAD, INSERT WIRE THRU CROSS HOLE AND CLAMP WITH HEAD, SPADE LUG CLAMPED WITH HEAD. SUPPLIED WITH HARDWARE.

INSTRUCTION NOTES

SUPPLIED WITH: ONE NICKEL PLATED BRASS HEX NUT P/N 701-7419-02 (5/16-32 x 7/16" x 3/32").