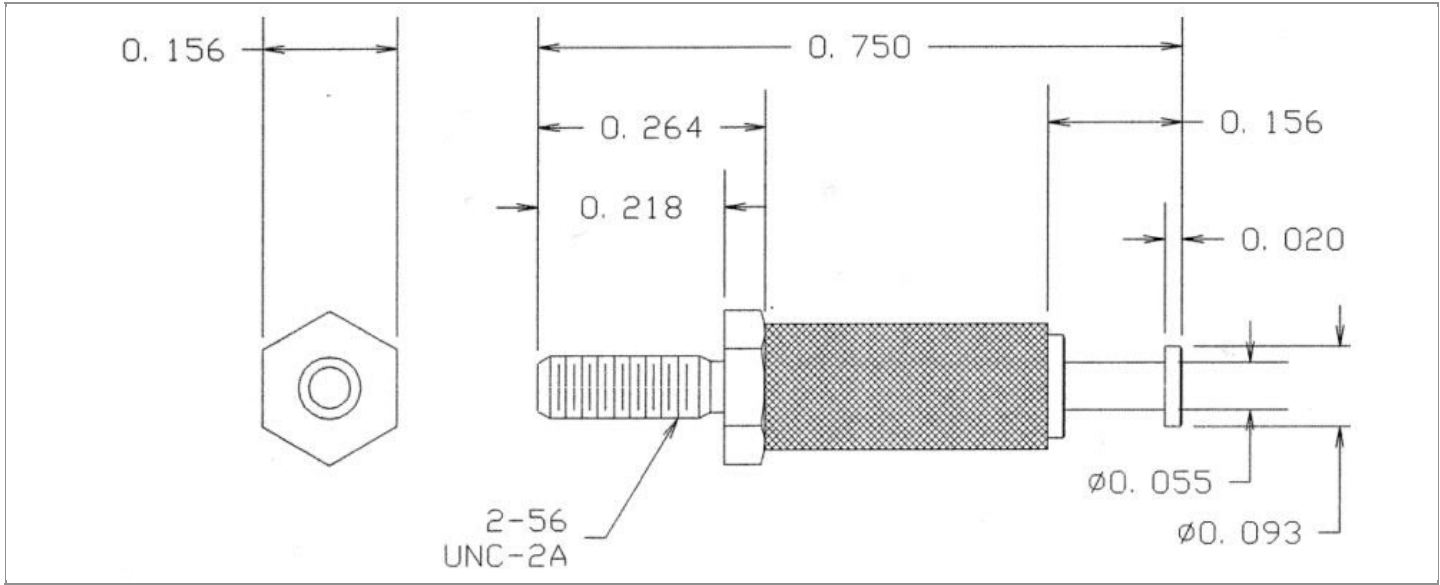


<b>DRAWING NUMBER:</b>	<b>1127-69M-XXXX</b>
<b>PRODUCT GROUP:</b>	TERMINALS
<b>SUB-GROUP:</b>	MILITARY INSULATED TERMINALS
<b>DESCRIPTION:</b>	DIALLYL PHTHALATE INSULATED TURRET TERMINAL



PIN DIAMETER	OVERALL LENGTH	MOUNTING ORIENTATION	BOARD / PANEL MOUNTING METHOD
N/A	0.750"	VERTICAL	THREAD MOUNT (2-56 NUT)
BOARD / PANEL THICKNESS	MOUNTING HOLE SIZE	DRILL SIZE	FEED THRU COMBINATION
UP TO 3/32"	0.094" ± 0.002	3/32"	N/A

**PART NO. STRUCTURE:\***

**1127** - **69M** - **XX** **XX**  
 PART SERIES    DIMENSION    FINISH    INSULATION COLOR

\*If applicable, "Z" at the end of a PART NO. STRUCTURE indicates TERMINAL MATERIAL TYPE.

**MATERIAL OPTIONS:**

**1127-69M-XXXX**

COMPONENT	MATERIAL	MATERIAL AND SPECIFICATION
TERMINAL	BRASS	BRASS PER ASTM B16, ALLOY C36000, 1/2 HARD
BASE/METAL SLEEVE	BRASS	BRASS PER ASTM B16, ALLOY C36000, 1/2 HARD
INSULATION*	DIALLYL PHTHALATE	MOLDED DIALLYL PHTHALATE, TYPE SDG-F PER ASTM D5948
NUT	BRASS	BRASS PER ASTM B16, ALLOY C36000, 1/2 HARD
WASHER	PHOSPHOR BRONZE	PHOSPHOR BRONZE PER MS35333

\*For Insulation color, please see INSULATION COLOR OPTIONS on Page 2

FINISH - PLATING OPTIONS:

1127-69M-XXXX

FINISH CODE	COMPONENT	FINISH	FINISH AND SPECIFICATION
05	TERMINAL	ELECTRO-SOLDER	0.000300"MIN. ELECTRO-SOLDER PER SAE-AMS-P-81728 OVER 0.000100"MIN. COPPER PER SAE-AMS-2418
	BASE/METAL SLEEVE	ELECTRO-SOLDER	0.000100"MIN. ELECTRO-SOLDER PER SAE-AMS-P-81728 OVER 0.000100"MIN. NICKEL PER SAE-AMS-QQ-N-290
	NUT	NICKEL	0.000100"MIN. NICKEL PER SAE-AMS-QQ-N-290
	WASHER	NICKEL	0.000100"MIN. NICKEL PER SAE-AMS-QQ-N-290
088	TERMINAL	BRIGHT TIN-LEAD	0.000300"MIN. BRIGHT TIN-LEAD (Sn93%-Pb7%) PER ASTM B545 OVER 0.000100"MIN. COPPER PER SAE-AMS-2418
	BASE/METAL SLEEVE	BRIGHT TIN-LEAD	0.000100"MIN. BRIGHT TIN-LEAD (Sn93%-Pb7%) PER ASTM B545 OVER 0.000100"MIN. NICKEL PER SAE-AMS-QQ-N-290
	NUT	NICKEL	0.000100"MIN. NICKEL PER SAE-AMS-QQ-N-290
	WASHER	NICKEL	0.000100"MIN. NICKEL PER SAE-AMS-QQ-N-290
095	TERMINAL	HOT SOLDER DIP	0.000100"MIN. HOT SOLDER DIP USING Sn60 PER IPC-J-STD-006 OVER 0.000100"MIN. COPPER PER SAE-AMS-2418
	BASE/METAL SLEEVE	BRIGHT TIN-LEAD	0.000100"MIN. BRIGHT TIN-LEAD (Sn93%-Pb7%) PER ASTM B545 OVER 0.000100"MIN. NICKEL PER SAE-AMS-QQ-N-290
	NUT	NICKEL	0.000100"MIN. NICKEL PER SAE-AMS-QQ-N-290
	WASHER	NICKEL	0.000100"MIN. NICKEL PER SAE-AMS-QQ-N-290

INSULATION COLOR OPTIONS:

1127-69M-XXXX

INSULATION COLOR	BLACK	BLUE	BROWN	GRAY	GREEN	ORANGE	RED	VIOLET	WHITE	YELLOW
COLOR CODE NO.	10	16	11	18	15	13	12	17	19	14

TOLERANCES:\*

DECIMAL	FRACTIONAL	ANGULAR	DRAWING ORIGATION DATE	LAST MODIFICATION DATE
± 0.015	N/A	N/A	4/3/1998	3/1/2017

\*All dimensions are in inches.

RoHS COMPLIANCE:

1127-69M-05XX

PART NUMBER	RoHS COMPLIANT
1127-69M-0510	NO
1127-69M-0511	NO
1127-69M-0512	NO
1127-69M-0513	NO
1127-69M-0514	NO
1127-69M-0515	NO
1127-69M-0516	NO
1127-69M-0517	NO
1127-69M-0518	NO
1127-69M-0519	NO

1127-69M-088XX

PART NUMBER	RoHS COMPLIANT
1127-69M-08810	NO
1127-69M-08811	NO
1127-69M-08812	NO
1127-69M-08813	NO
1127-69M-08814	NO
1127-69M-08815	NO
1127-69M-08816	NO
1127-69M-08817	NO
1127-69M-08818	NO
1127-69M-08819	NO

1127-69M-095XX

PART NUMBER	RoHS COMPLIANT
1127-69M-09510	NO
1127-69M-09511	NO
1127-69M-09512	NO
1127-69M-09513	NO
1127-69M-09514	NO
1127-69M-09515	NO
1127-69M-09516	NO
1127-69M-09517	NO
1127-69M-09518	NO
1127-69M-09519	NO

MILITARY REFERENCE SPECIFICATIONS:

1127-69M-05XX

PART NUMBER	MIL SPECIFICATION	MIL PART NUMBER	COMMERCIAL ITEM DESCRIPTION (CID) SPECIFICATION	CID PART NUMBER
1127-69M-0510	MIL-T-55155/18	M55155/180H02 (SE180E02S)	A-A-59126/18	AA59126/180H02
1127-69M-0511	MIL-T-55155/18	M55155/181H02 (SE181E02S)	A-A-59126/18	AA59126/181H02
1127-69M-0512	MIL-T-55155/18	M55155/182H02 (SE182E02S)	A-A-59126/18	AA59126/182H02
1127-69M-0513	MIL-T-55155/18	M55155/183H02 (SE183E02S)	A-A-59126/18	AA59126/183H02
1127-69M-0514	MIL-T-55155/18	M55155/184H02 (SE184E02S)	A-A-59126/18	AA59126/184H02
1127-69M-0515	MIL-T-55155/18	M55155/185H02 (SE185E02S)	A-A-59126/18	AA59126/185H02
1127-69M-0516	MIL-T-55155/18	M55155/186H02 (SE186E02S)	A-A-59126/18	AA59126/186H02
1127-69M-0517	MIL-T-55155/18	M55155/187H02 (SE187E02S)	A-A-59126/18	AA59126/187H02
1127-69M-0518	MIL-T-55155/18	M55155/188H02 (SE188E02S)	A-A-59126/18	AA59126/188H02
1127-69M-0519	MIL-T-55155/18	M55155/189H02 (SE189E02S)	A-A-59126/18	AA59126/189H02

1127-69M-088XX

PART NUMBER	MIL SPECIFICATION	MIL PART NUMBER	COMMERCIAL ITEM DESCRIPTION (CID) SPECIFICATION	CID PART NUMBER
1127-69M-08810	MIL-T-55155/18	M55155/180J02	A-A-59126/18	AA59126/180J02 (AA59126/18002)
1127-69M-08811	MIL-T-55155/18	M55155/181J02	A-A-59126/18	AA59126/181J02 (AA59126/18102)
1127-69M-08812	MIL-T-55155/18	M55155/182J02	A-A-59126/18	AA59126/182J02 (AA59126/18202)
1127-69M-08813	MIL-T-55155/18	M55155/183J02	A-A-59126/18	AA59126/183J02 (AA59126/18302)
1127-69M-08814	MIL-T-55155/18	M55155/184J02	A-A-59126/18	AA59126/184J02 (AA59126/18402)

Continued on next page...

MILITARY REFERENCE SPECIFICATIONS CONTINUED:

1127-69M-088XX

PART NUMBER	MIL SPECIFICATION	MIL PART NUMBER	COMMERCIAL ITEM DESCRIPTION (CID) SPECIFICATION	CID PART NUMBER
1127-69M-08815	MIL-T-55155/18	M55155/185J02	A-A-59126/18	AA59126/185J02 (AA59126/18502)
1127-69M-08816	MIL-T-55155/18	M55155/186J02	A-A-59126/18	AA59126/186J02 (AA59126/18602)
1127-69M-08817	MIL-T-55155/18	M55155/187J02	A-A-59126/18	AA59126/187J02 (AA59126/18702)
1127-69M-08818	MIL-T-55155/18	M55155/188J02	A-A-59126/18	AA59126/188J02 (AA59126/18802)
1127-69M-08819	MIL-T-55155/18	M55155/189J02	A-A-59126/18	AA59126/189J02 (AA59126/18902)

1127-69M-095XX

PART NUMBER	MIL SPECIFICATION	MIL PART NUMBER	COMMERCIAL ITEM DESCRIPTION (CID) SPECIFICATION	CID PART NUMBER
1127-69M-09510	MIL-T-55155/18	M55155/180I02	A-A-59126/18	AA59126/180I02
1127-69M-09511	MIL-T-55155/18	M55155/181I02	A-A-59126/18	AA59126/181I02
1127-69M-09512	MIL-T-55155/18	M55155/182I02	A-A-59126/18	AA59126/182I02
1127-69M-09513	MIL-T-55155/18	M55155/183I02	A-A-59126/18	AA59126/183I02
1127-69M-09514	MIL-T-55155/18	M55155/184I02	A-A-59126/18	AA59126/184I02
1127-69M-09515	MIL-T-55155/18	M55155/185I02	A-A-59126/18	AA59126/185I02
1127-69M-09516	MIL-T-55155/18	M55155/186I02	A-A-59126/18	AA59126/186I02
1127-69M-09517	MIL-T-55155/18	M55155/187I02	A-A-59126/18	AA59126/187I02
1127-69M-09518	MIL-T-55155/18	M55155/188I02	A-A-59126/18	AA59126/188I02
1127-69M-09519	MIL-T-55155/18	M55155/189I02	A-A-59126/18	AA59126/189I02

TOOLING:

INSTALLATION TOOL: ARBOR PRESS	INSTALLATION TOOL: ANVIL (ARBOR PRESS OPERATED)	INSTALLATION TOOL: PRESS-FIT / ROLL SWAGE / RIVET PUNCH (ARBOR PRESS OPERATED)	INSTALLATION TOOL: PRESS-FIT (HAND OPERATED)
N/A	N/A	N/A	N/A

NOTES:

<b>DATASHEET NOTES</b>
------------------------

NUT PART NO.: 701-7312-02, WASHER PART NO.: 701-7701-02.

<b>INSTRUCTION NOTES</b>
--------------------------

SUPPLIED WITH NICKEL PLATED BRASS HEX NUT (2-56 x 3/16" x 1/16") AND NICKEL PLATED PHOSPHOR BRONZE #2 INTERNAL TOOTH LOCKWASHER.