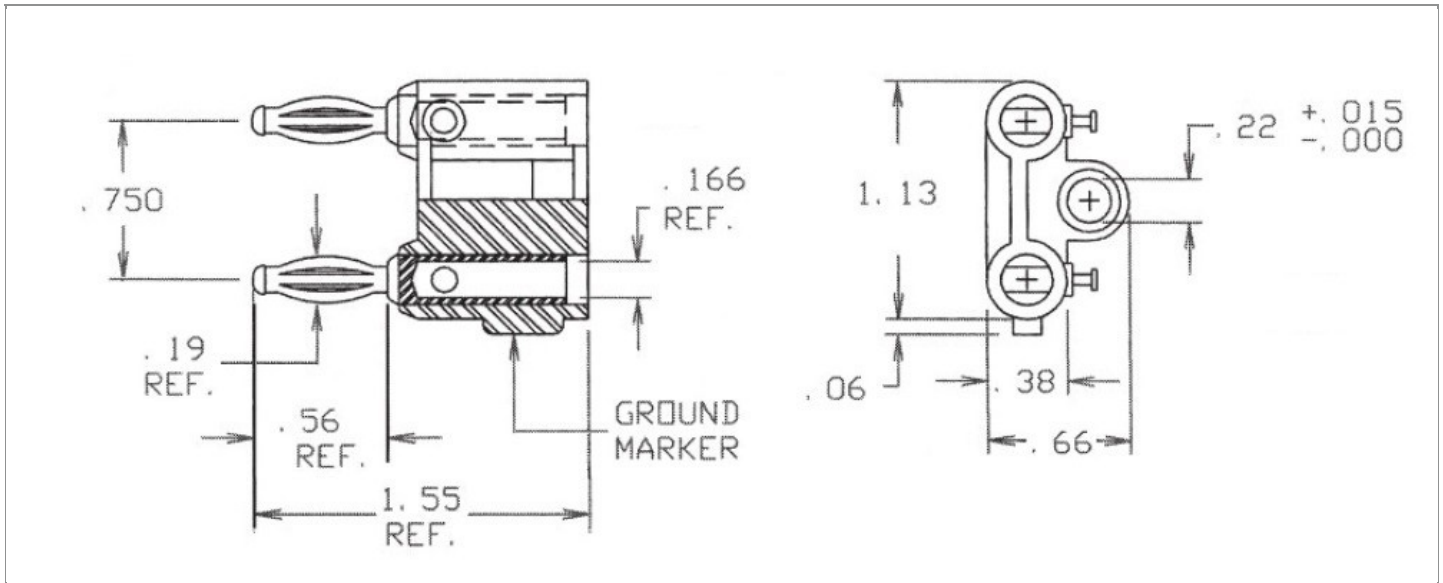


DRAWING NUMBER:	25-2551-1-XXXX
PRODUCT GROUP:	BANANA PLUGS, JACKS AND PHONE TIPS
SUB-GROUP:	INSULATED BANANA PLUGS
DESCRIPTION:	INSULATED DUAL STANDARD BANANA PLUGS/JACKS ADAPTER W/SOLDER TURRET TERMINALS



ACCEPTS PIN / PLUG / JACK SIZE	OVERALL LENGTH	CABLE / WIRE SIZE
STANDARD BANANA JACKS/PLUGS	1.550"	N/A

PART NO. STRUCTURE:

25-2551	-	1	-	XX	XX
PART SERIES		DIMENSION		FINISH	INSULATION COLOR

MATERIAL OPTIONS:

25-2551-1-XXXX

COMPONENT	MATERIAL	MATERIAL AND SPECIFICATION
BODY	BRASS	BRASS PER ASTM B16, ALLOY C36000, 1/2 HARD
SPRING (CAGE)	BERYLLIUM COPPER	BERYLLIUM COPPER PER ASTM B194, ALLOY C17200
INSULATION*	POLYPROPYLENE	POLYPROPYLENE PER ASTM D5857
TERMINAL	BRASS	BRASS PER ASTM B16, ALLOY C36000, 1/2 HARD
SET SCREW	N/A	N/A
STUD	N/A	N/A
JACK SPRING	N/A	N/A

*For Insulation color, please see INSULATION COLOR OPTIONS on Page 2

FINISH - PLATING OPTIONS:

25-2551-1-XXXX

FINISH CODE	COMPONENT	FINISH	FINISH AND SPECIFICATION
02	BODY	NICKEL	0.000100"MIN. NICKEL PER SAE-AMS-QQ-N-290
	SPRING (CAGE)	NICKEL	0.000200"MIN. NICKEL PER SAE-AMS-QQ-N-290
	TERMINAL	BRIGHT ELECTRO-TIN	0.000200"MIN. BRIGHT ELECTRO-TIN PER ASTM B545
	SET SCREW	N/A	N/A
	STUD	N/A	N/A
	JACK SPRING	N/A	N/A

INSULATION COLOR OPTIONS:

25-2551-1-XXXX

INSULATION COLOR	BLACK	RED
COLOR CODE NO.	10	12

TOLERANCES:*

DECIMAL	FRACTIONAL	ANGULAR	DRAWING ORIENTATION DATE	LAST MODIFICATION DATE
± 0.010	± 1/64	± 5 °	9/13/1999	4/1/2017

*All dimensions are in inches.

RoHS COMPLIANCE:

25-2551-1-02XX

PART NUMBER	RoHS COMPLIANT
25-2551-1-0210	YES
25-2551-1-0212	YES

NOTES:

DATASHEET NOTES
RATED: 15 AMPERES CAPACITY, 5000 WVDC MAXIMUM. STANDARD SIZE STACKING BANANA PLUGS/JACKS WITH TURRET TERMINALS.
INSTRUCTION NOTES
TURRET TERMINALS FOR EASY CONNECTION OF CABLES AND/OR COMPONENTS.