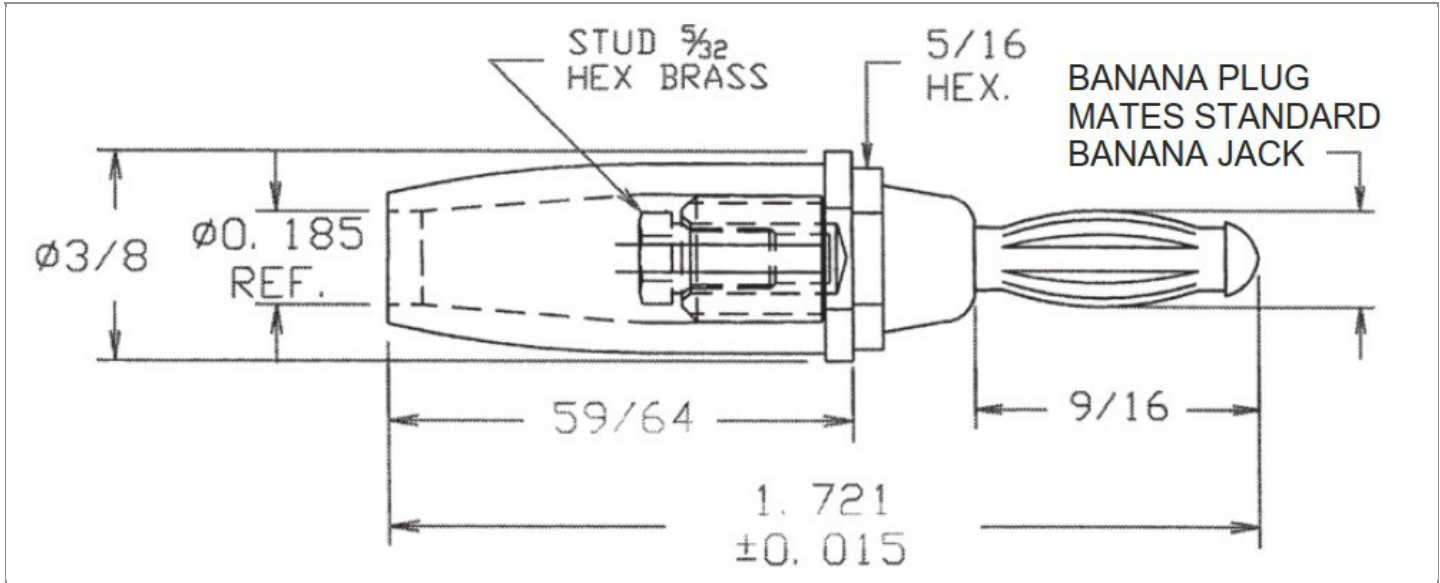


DRAWING NUMBER:	01-2060-1-XXXX
PRODUCT GROUP:	BANANA PLUGS, JACKS AND PHONE TIPS
SUB-GROUP:	INSULATED BANANA PLUGS
DESCRIPTION:	INSULATED STANDARD BANANA PLUG W/SHORT HANDLE



ACCEPTS PIN / PLUG / JACK SIZE	OVERALL LENGTH	CABLE / WIRE SIZE
STANDARD BANANA JACK	1.721"	ACCEPTS UP TO 16 AWG WIRE

PART NO. STRUCTURE:

01-2060	-	1	-	XX	XX
PART SERIES		DIMENSION		FINISH	INSULATION COLOR

MATERIAL OPTIONS:

01-2060-1-XXXX		
COMPONENT	MATERIAL	MATERIAL AND SPECIFICATION
BODY	BRASS	BRASS PER ASTM B16, ALLOY C36000, 1/2 HARD
SPRING (CAGE)	BERYLLIUM COPPER	BERYLLIUM COPPER PER ASTM B194, ALLOY C17200
INSULATION*	BUTYRATE	BUTYRATE PER ASTM D707
TERMINAL	N/A	N/A
SET SCREW	N/A	N/A
STUD	BRASS	BRASS PER ASTM B16, ALLOY C36000, 1/2 HARD
JACK SPRING	N/A	N/A

*For Insulation color, please see INSULATION COLOR OPTIONS on Page 3

FINISH - PLATING OPTIONS:

01-2060-1-XXXX

FINISH CODE	COMPONENT	FINISH	FINISH AND SPECIFICATION
01	BODY	SILVER	0.000100"MIN. SILVER PER ASTM B700, TYPE 2, GRADE D WITH A NON-CHROMATE PRESERVATIVE TREATMENT
	SPRING (CAGE)	SILVER	0.000300"MIN. SILVER PER ASTM B700, TYPE 2, GRADE D WITH A NON-CHROMATE PRESERVATIVE TREATMENT
	TERMINAL	N/A	N/A
	SET SCREW	N/A	N/A
	STUD	SILVER	0.000100"MIN. SILVER PER ASTM B700, TYPE 2, GRADE D WITH A NON-CHROMATE PRESERVATIVE TREATMENT
	JACK SPRING	N/A	N/A
02	BODY	NICKEL	0.000100"MIN. NICKEL PER SAE-AMS-QQ-N-290
	SPRING (CAGE)	NICKEL	0.000200"MIN. NICKEL PER SAE-AMS-QQ-N-290
	TERMINAL	N/A	N/A
	SET SCREW	N/A	N/A
	STUD	BRIGHT ELECTRO-TIN	0.000200"MIN. BRIGHT ELECTRO-TIN PER ASTM B545
	JACK SPRING	N/A	N/A
03	BODY	GOLD	GOLD FLASH PER ASTM B488, TYPE II, CODE C
	SPRING (CAGE)	GOLD	0.000010"MIN. GOLD PER ASTM B488, TYPE II, CODE C
	TERMINAL	N/A	N/A
	SET SCREW	N/A	N/A
	STUD	GOLD	0.000010"MIN. GOLD PER ASTM B488, TYPE II, CODE C
	JACK SPRING	N/A	N/A
044	BODY	BRIGHT ELECTRO-TIN	0.000200"MIN. BRIGHT ELECTRO-TIN PER ASTM B545
	SPRING (CAGE)	BRIGHT ELECTRO-TIN	0.000200"MIN. BRIGHT ELECTRO-TIN PER ASTM B545
	TERMINAL	N/A	N/A
	SET SCREW	N/A	N/A
	STUD	BRIGHT ELECTRO-TIN	0.000200"MIN. BRIGHT ELECTRO-TIN PER ASTM B545
	JACK SPRING	N/A	N/A

INSULATION COLOR OPTIONS:

01-2060-1-XX **XX**

INSULATION COLOR	BLACK	BLUE	BROWN	GRAY	GREEN	ORANGE	RED	VIOLET	WHITE	YELLOW
COLOR CODE NO.	10	16	11	18	15	13	12	17	19	14

TOLERANCES:*

DECIMAL	FRACTIONAL	ANGULAR	DRAWING ORIGATION DATE	LAST MODIFICATION DATE
.XXX ± 0.005 / .XX ± 0.01	± 1/64	± 5 °	11/8/2001	4/1/2017

*All dimensions are in inches.

RoHS COMPLIANCE:

01-2060-1-01XX

PART NUMBER	RoHS COMPLIANT
01-2060-1-0110	YES
01-2060-1-0111	YES
01-2060-1-0112	YES
01-2060-1-0113	YES
01-2060-1-0114	YES
01-2060-1-0115	YES
01-2060-1-0116	YES
01-2060-1-0117	YES
01-2060-1-0118	YES
01-2060-1-0119	YES

01-2060-1-02XX

PART NUMBER	RoHS COMPLIANT
01-2060-1-0210	YES
01-2060-1-0211	YES
01-2060-1-0212	YES
01-2060-1-0213	YES
01-2060-1-0214	YES
01-2060-1-0215	YES
01-2060-1-0216	YES
01-2060-1-0217	YES
01-2060-1-0218	YES
01-2060-1-0219	YES

01-2060-1-03XX

PART NUMBER	RoHS COMPLIANT
01-2060-1-0310	YES
01-2060-1-0311	YES
01-2060-1-0312	YES
01-2060-1-0313	YES
01-2060-1-0314	YES
01-2060-1-0315	YES
01-2060-1-0316	YES
01-2060-1-0317	YES
01-2060-1-0318	YES
01-2060-1-0319	YES

01-2060-1-044XX

PART NUMBER	RoHS COMPLIANT
01-2060-1-04410	YES
01-2060-1-04411	YES
01-2060-1-04412	YES
01-2060-1-04413	YES
01-2060-1-04414	YES
01-2060-1-04415	YES
01-2060-1-04416	YES
01-2060-1-04417	YES
01-2060-1-04418	YES
01-2060-1-04419	YES

NOTES:

DATASHEET NOTES

RATED: 15 AMPERES CONTINUOUS DUTY. STANDARD SIZE SPRING FOR STANDARD SIZE BANANA JACK.

INSTRUCTION NOTES

HEX BRASS STUD (5/32") SECURES WIRE IN HANDLE OR WIRE CAN BE DIRECTLY SOLDERED INTO REAR OF PLUG BODY.
