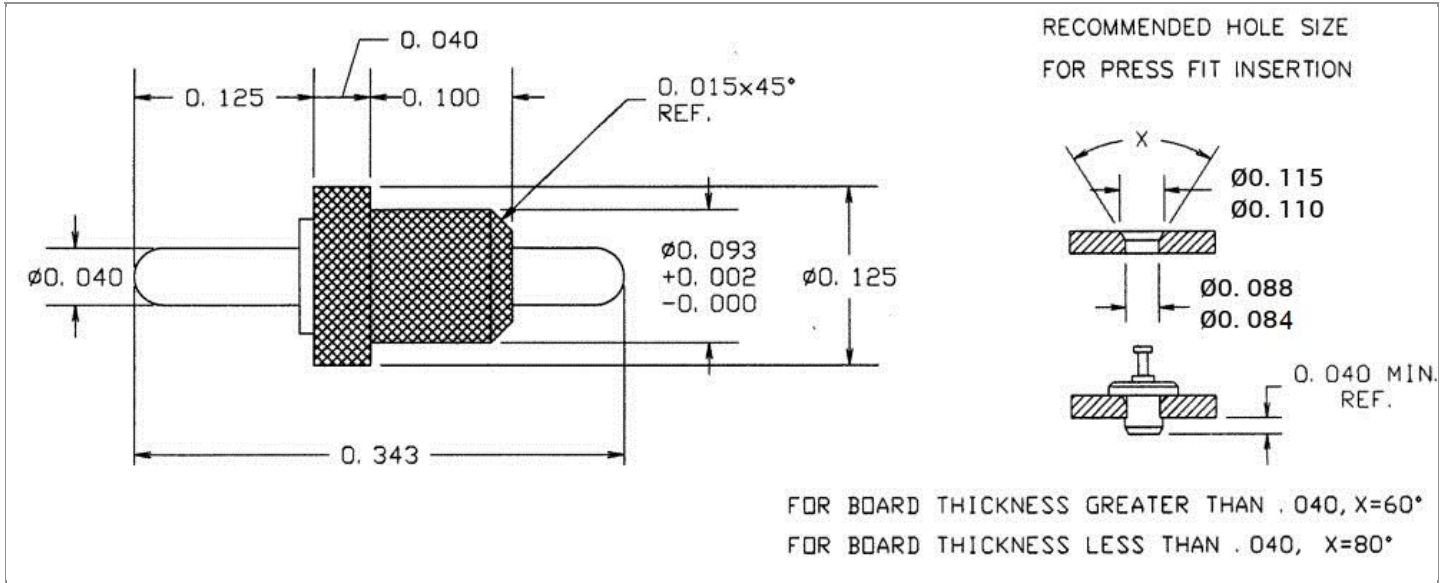


DRAWING NUMBER:	1110-75M-XXXX
PRODUCT GROUP:	TERMINALS
SUB-GROUP:	MILITARY INSULATED TERMINALS
DESCRIPTION:	PTFE INSULATED FEED THRU (PIN/PIN) TERMINAL



PIN DIAMETER	OVERALL LENGTH	MOUNTING ORIENTATION	BOARD / PANEL MOUNTING METHOD
0.040" ± 0.005	0.343"	VERTICAL	PRESS FIT
BOARD / PANEL THICKNESS	MOUNTING HOLE SIZE	DRILL SIZE	FEED THRU COMBINATION
UP TO 1/16"	0.086" ± 0.002	#44	PIN/PIN

PART NO. STRUCTURE:*

1110	-	75M	-	XX	XX
PART SERIES		DIMENSION		FINISH	INSULATION COLOR

*If applicable, "Z" at the end of a PART NO. STRUCTURE indicates TERMINAL MATERIAL TYPE.

MATERIAL OPTIONS:

1110-75M-XXXX

COMPONENT	MATERIAL	MATERIAL AND SPECIFICATION
TERMINAL	BRASS	BRASS PER ASTM B16, ALLOY C36000, 1/2 HARD
BASE/METAL SLEEVE	N/A	N/A
INSULATION*	PTFE	PTFE PER ASTM D1710
NUT	N/A	N/A
WASHER	N/A	N/A

*For Insulation color, please see INSULATION COLOR OPTIONS on Page 2

FINISH - PLATING OPTIONS:

1110-75M-XXXX

FINISH CODE	COMPONENT	FINISH	FINISH AND SPECIFICATION
05	TERMINAL	ELECTRO-SOLDER	0.000300"MIN. ELECTRO-SOLDER PER SAE-AMS-P-81728 OVER 0.000100"MIN. COPPER PER SAE-AMS-2418
	BASE/METAL SLEEVE	N/A	N/A
	NUT	N/A	N/A
	WASHER	N/A	N/A
088	TERMINAL	BRIGHT TIN-LEAD	0.000300"MIN. BRIGHT TIN-LEAD (Sn93%-Pb7%) PER ASTM B545 OVER 0.000100"MIN. COPPER PER SAE-AMS-2418
	BASE/METAL SLEEVE	N/A	N/A
	NUT	N/A	N/A
	WASHER	N/A	N/A
095	TERMINAL	HOT SOLDER DIP	0.000100"MIN. HOT SOLDER DIP USING Sn60 PER IPC-J-STD-006 OVER 0.000100"MIN. COPPER PER SAE-AMS-2418
	BASE/METAL SLEEVE	N/A	N/A
	NUT	N/A	N/A
	WASHER	N/A	N/A

INSULATION COLOR OPTIONS:

1110-75M-XXXX

INSULATION COLOR	BLACK	BLUE	BROWN	GRAY	GREEN	ORANGE	RED	VIOLET	WHITE	YELLOW
COLOR CODE NO.	10	16	11	18	15	13	12	17	19	14

TOLERANCES:*

DECIMAL	FRACTIONAL	ANGULAR	DRAWING ORIGINATION DATE	LAST MODIFICATION DATE
± 0.015	N/A	± 3 °	11/30/1998	3/1/2017

*All dimensions are in inches.

RoHS COMPLIANCE:

1110-75M-05XX

PART NUMBER	RoHS COMPLIANT
1110-75M-0510	NO
1110-75M-0511	NO
1110-75M-0512	NO
1110-75M-0513	NO
1110-75M-0514	NO
1110-75M-0515	NO
1110-75M-0516	NO
1110-75M-0517	NO
1110-75M-0518	NO
1110-75M-0519	NO

1110-75M-088XX

PART NUMBER	RoHS COMPLIANT
1110-75M-08810	NO
1110-75M-08811	NO
1110-75M-08812	NO
1110-75M-08813	NO
1110-75M-08814	NO
1110-75M-08815	NO
1110-75M-08816	NO
1110-75M-08817	NO
1110-75M-08818	NO
1110-75M-08819	NO

1110-75M-095XX

PART NUMBER	RoHS COMPLIANT
1110-75M-09510	NO
1110-75M-09511	NO
1110-75M-09512	NO
1110-75M-09513	NO
1110-75M-09514	NO
1110-75M-09515	NO
1110-75M-09516	NO
1110-75M-09517	NO
1110-75M-09518	NO
1110-75M-09519	NO

MILITARY REFERENCE SPECIFICATIONS:

1110-75M-05XX

PART NUMBER	MIL SPECIFICATION	MIL PART NUMBER	COMMERCIAL ITEM DESCRIPTION (CID) SPECIFICATION	CID PART NUMBER
1110-75M-0510	MIL-T-55155/03	M55155/030H05 (FT030B05S)	A-A-59126/03	AA59126/030H05
1110-75M-0511	MIL-T-55155/03	M55155/031H05 (FT031B05S)	A-A-59126/03	AA59126/031H05
1110-75M-0512	MIL-T-55155/03	M55155/032H05 (FT032B05S)	A-A-59126/03	AA59126/032H05
1110-75M-0513	MIL-T-55155/03	M55155/033H05 (FT033B05S)	A-A-59126/03	AA59126/033H05
1110-75M-0514	MIL-T-55155/03	M55155/034H05 (FT034B05S)	A-A-59126/03	AA59126/034H05
1110-75M-0515	MIL-T-55155/03	M55155/035H05 (FT035B05S)	A-A-59126/03	AA59126/035H05
1110-75M-0516	MIL-T-55155/03	M55155/036H05 (FT036B05S)	A-A-59126/03	AA59126/036H05
1110-75M-0517	MIL-T-55155/03	M55155/037H05 (FT037B05S)	A-A-59126/03	AA59126/037H05
1110-75M-0518	MIL-T-55155/03	M55155/038H05 (FT038B05S)	A-A-59126/03	AA59126/038H05
1110-75M-0519	MIL-T-55155/03	M55155/039H05 (FT039B05S)	A-A-59126/03	AA59126/039H05

1110-75M-088XX

PART NUMBER	MIL SPECIFICATION	MIL PART NUMBER	COMMERCIAL ITEM DESCRIPTION (CID) SPECIFICATION	CID PART NUMBER
1110-75M-08810	MIL-T-55155/03	M55155/030J05	A-A-59126/03	AA59126/030J05 (AA59126/03005)
1110-75M-08811	MIL-T-55155/03	M55155/031J05	A-A-59126/03	AA59126/031J05 (AA59126/03105)
1110-75M-08812	MIL-T-55155/03	M55155/032J05	A-A-59126/03	AA59126/032J05 (AA59126/03205)
1110-75M-08813	MIL-T-55155/03	M55155/033J05	A-A-59126/03	AA59126/033J05 (AA59126/03305)
1110-75M-08814	MIL-T-55155/03	M55155/034J05	A-A-59126/03	AA59126/034J05 (AA59126/03405)

Continued on next page...

MILITARY REFERENCE SPECIFICATIONS CONTINUED:

1110-75M-088XX

PART NUMBER	MIL SPECIFICATION	MIL PART NUMBER	COMMERCIAL ITEM DESCRIPTION (CID) SPECIFICATION	CID PART NUMBER
1110-75M-08815	MIL-T-55155/03	M55155/035J05	A-A-59126/03	AA59126/035J05 (AA59126/03505)
1110-75M-08816	MIL-T-55155/03	M55155/036J05	A-A-59126/03	AA59126/036J05 (AA59126/03605)
1110-75M-08817	MIL-T-55155/03	M55155/037J05	A-A-59126/03	AA59126/037J05 (AA59126/03705)
1110-75M-08818	MIL-T-55155/03	M55155/038J05	A-A-59126/03	AA59126/038J05 (AA59126/03805)
1110-75M-08819	MIL-T-55155/03	M55155/039J05	A-A-59126/03	AA59126/039J05 (AA59126/03905)

1110-75M-095XX

PART NUMBER	MIL SPECIFICATION	MIL PART NUMBER	COMMERCIAL ITEM DESCRIPTION (CID) SPECIFICATION	CID PART NUMBER
1110-75M-09510	MIL-T-55155/03	M55155/030I05	A-A-59126/03	AA59126/030I05
1110-75M-09511	MIL-T-55155/03	M55155/031I05	A-A-59126/03	AA59126/031I05
1110-75M-09512	MIL-T-55155/03	M55155/032I05	A-A-59126/03	AA59126/032I05
1110-75M-09513	MIL-T-55155/03	M55155/033I05	A-A-59126/03	AA59126/033I05
1110-75M-09514	MIL-T-55155/03	M55155/034I05	A-A-59126/03	AA59126/034I05
1110-75M-09515	MIL-T-55155/03	M55155/035I05	A-A-59126/03	AA59126/035I05
1110-75M-09516	MIL-T-55155/03	M55155/036I05	A-A-59126/03	AA59126/036I05
1110-75M-09517	MIL-T-55155/03	M55155/037I05	A-A-59126/03	AA59126/037I05
1110-75M-09518	MIL-T-55155/03	M55155/038I05	A-A-59126/03	AA59126/038I05
1110-75M-09519	MIL-T-55155/03	M55155/039I05	A-A-59126/03	AA59126/039I05

TOOLING:

INSTALLATION TOOL: ARBOR PRESS	INSTALLATION TOOL: ANVIL (ARBOR PRESS OPERATED)	INSTALLATION TOOL: PRESS-FIT / ROLL SWAGE / RIVET PUNCH (ARBOR PRESS OPERATED)	INSTALLATION TOOL: PRESS-FIT (HAND OPERATED)
TM1	TA1110-73	TPI1110-73	TTI1110-73

NOTES:

DATASHEET NOTES

N/A

INSTRUCTION NOTES

SEE GENERAL PRESS FIT INSTALLATION INSTRUCTION ON CONCORD ELECTRONICS' WEBSITE WWW.CONCORD-ELECTRONICS.COM.