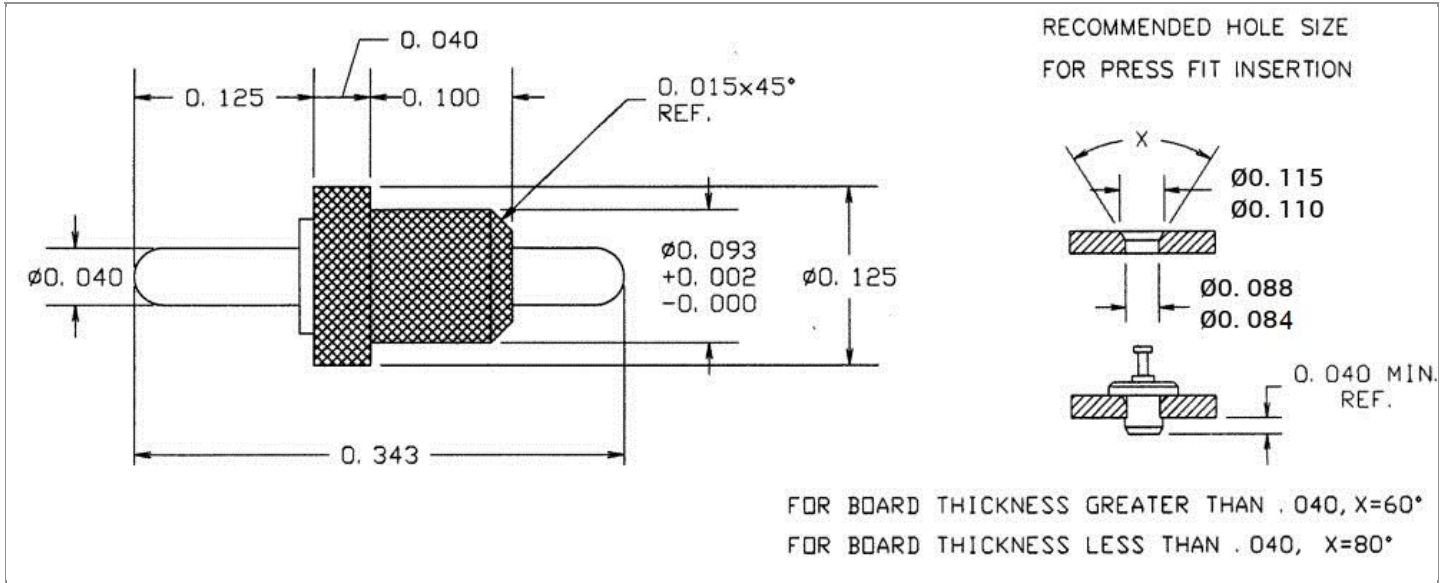


<b>DRAWING NUMBER:</b>	<b>1110-75M-XXXXZ</b>
<b>PRODUCT GROUP:</b>	TERMINALS
<b>SUB-GROUP:</b>	MILITARY INSULATED TERMINALS
<b>DESCRIPTION:</b>	PTFE INSULATED FEED THRU (PIN/PIN) TERMINAL



PIN DIAMETER	OVERALL LENGTH	MOUNTING ORIENTATION	BOARD / PANEL MOUNTING METHOD
0.040" ± 0.005	0.343"	VERTICAL	PRESS FIT
BOARD / PANEL THICKNESS	MOUNTING HOLE SIZE	DRILL SIZE	FEED THRU COMBINATION
UP TO 1/16"	0.086" ± 0.002	#44	PIN/PIN

**PART NO. STRUCTURE:\***

<b>1110</b>	-	<b>75M</b>	-	<b>XX</b>	<b>XX</b>
PART SERIES		DIMENSION		FINISH	INSULATION COLOR

\*If applicable, "Z" at the end of a PART NO. STRUCTURE indicates TERMINAL MATERIAL TYPE.

**MATERIAL OPTIONS:**

**1110-75M-XXXXZ**

COMPONENT	MATERIAL	MATERIAL AND SPECIFICATION
TERMINAL	PHOSPHOR BRONZE	PHOSPHOR BRONZE PER ASTM B139, ALLOY C54400
BASE/METAL SLEEVE	N/A	N/A
INSULATION*	PTFE	PTFE PER ASTM D1710
NUT	N/A	N/A
WASHER	N/A	N/A

\*For Insulation color, please see INSULATION COLOR OPTIONS on Page 2

FINISH - PLATING OPTIONS:

1110-75M-XXXXZ

FINISH CODE	COMPONENT	FINISH	FINISH AND SPECIFICATION
05	TERMINAL	ELECTRO-SOLDER	0.000300"MIN. ELECTRO-SOLDER PER SAE-AMS-P-81728 OVER 0.000100"MIN. COPPER PER SAE-AMS-2418
	BASE/METAL SLEEVE	N/A	N/A
	NUT	N/A	N/A
	WASHER	N/A	N/A
088	TERMINAL	BRIGHT TIN-LEAD	0.000300"MIN. BRIGHT TIN-LEAD (Sn93%-Pb7%) PER ASTM B545 OVER 0.000100"MIN. COPPER PER SAE-AMS-2418
	BASE/METAL SLEEVE	N/A	N/A
	NUT	N/A	N/A
	WASHER	N/A	N/A
095	TERMINAL	HOT SOLDER DIP	0.000100"MIN. HOT SOLDER DIP USING Sn60 PER IPC-J-STD-006 OVER 0.000100"MIN. COPPER PER SAE-AMS-2418
	BASE/METAL SLEEVE	N/A	N/A
	NUT	N/A	N/A
	WASHER	N/A	N/A

INSULATION COLOR OPTIONS:

1110-75M-XXXXZ

INSULATION COLOR	BLACK	BLUE	BROWN	GRAY	GREEN	ORANGE	RED	VIOLET	WHITE	YELLOW
COLOR CODE NO.	10	16	11	18	15	13	12	17	19	14

TOLERANCES:\*

DECIMAL	FRACTIONAL	ANGULAR	DRAWING ORIGINATION DATE	LAST MODIFICATION DATE
± 0.015	N/A	± 3 °	11/30/1998	3/1/2017

\*All dimensions are in inches.

RoHS COMPLIANCE:

1110-75M-05XXZ

PART NUMBER	RoHS COMPLIANT
1110-75M-0510Z	NO
1110-75M-0511Z	NO
1110-75M-0512Z	NO
1110-75M-0513Z	NO
1110-75M-0514Z	NO
1110-75M-0515Z	NO
1110-75M-0516Z	NO
1110-75M-0517Z	NO
1110-75M-0518Z	NO
1110-75M-0519Z	NO

1110-75M-088XXZ

PART NUMBER	RoHS COMPLIANT
1110-75M-08810Z	NO
1110-75M-08811Z	NO
1110-75M-08812Z	NO
1110-75M-08813Z	NO
1110-75M-08814Z	NO
1110-75M-08815Z	NO
1110-75M-08816Z	NO
1110-75M-08817Z	NO
1110-75M-08818Z	NO
1110-75M-08819Z	NO

1110-75M-095XXZ

PART NUMBER	RoHS COMPLIANT
1110-75M-09510Z	NO
1110-75M-09511Z	NO
1110-75M-09512Z	NO
1110-75M-09513Z	NO
1110-75M-09514Z	NO
1110-75M-09515Z	NO
1110-75M-09516Z	NO
1110-75M-09517Z	NO
1110-75M-09518Z	NO
1110-75M-09519Z	NO

MILITARY REFERENCE SPECIFICATIONS:

1110-75M-05XXZ

PART NUMBER	MIL SPECIFICATION	MIL PART NUMBER	COMMERCIAL ITEM DESCRIPTION (CID) SPECIFICATION	CID PART NUMBER
1110-75M-0510Z	MIL-T-55155/03	M55155/030B05 (FT030B05Z)	A-A-59126/03	AA59126/030B05
1110-75M-0511Z	MIL-T-55155/03	M55155/031B05 (FT031B05Z)	A-A-59126/03	AA59126/031B05
1110-75M-0512Z	MIL-T-55155/03	M55155/032B05 (FT032B05Z)	A-A-59126/03	AA59126/032B05
1110-75M-0513Z	MIL-T-55155/03	M55155/033B05 (FT033B05Z)	A-A-59126/03	AA59126/033B05
1110-75M-0514Z	MIL-T-55155/03	M55155/034B05 (FT034B05Z)	A-A-59126/03	AA59126/034B05
1110-75M-0515Z	MIL-T-55155/03	M55155/035B05 (FT035B05Z)	A-A-59126/03	AA59126/035B05
1110-75M-0516Z	MIL-T-55155/03	M55155/036B05 (FT036B05Z)	A-A-59126/03	AA59126/036B05
1110-75M-0517Z	MIL-T-55155/03	M55155/037B05 (FT037B05Z)	A-A-59126/03	AA59126/037B05
1110-75M-0518Z	MIL-T-55155/03	M55155/038B05 (FT038B05Z)	A-A-59126/03	AA59126/038B05
1110-75M-0519Z	MIL-T-55155/03	M55155/039B05 (FT039B05Z)	A-A-59126/03	AA59126/039B05

1110-75M-088XXZ

PART NUMBER	MIL SPECIFICATION	MIL PART NUMBER	COMMERCIAL ITEM DESCRIPTION (CID) SPECIFICATION	CID PART NUMBER
1110-75M-08810Z	MIL-T-55155/03	M55155/030D05	A-A-59126/03	AA59126/030D05
1110-75M-08811Z	MIL-T-55155/03	M55155/031D05	A-A-59126/03	AA59126/031D05
1110-75M-08812Z	MIL-T-55155/03	M55155/032D05	A-A-59126/03	AA59126/032D05
1110-75M-08813Z	MIL-T-55155/03	M55155/033D05	A-A-59126/03	AA59126/033D05
1110-75M-08814Z	MIL-T-55155/03	M55155/034D05	A-A-59126/03	AA59126/034D05

Continued on next page...

MILITARY REFERENCE SPECIFICATIONS CONTINUED:

1110-75M-088XXZ

PART NUMBER	MIL SPECIFICATION	MIL PART NUMBER	COMMERCIAL ITEM DESCRIPTION (CID) SPECIFICATION	CID PART NUMBER
1110-75M-08815Z	MIL-T-55155/03	M55155/035D05	A-A-59126/03	AA59126/035D05
1110-75M-08816Z	MIL-T-55155/03	M55155/036D05	A-A-59126/03	AA59126/036D05
1110-75M-08817Z	MIL-T-55155/03	M55155/037D05	A-A-59126/03	AA59126/037D05
1110-75M-08818Z	MIL-T-55155/03	M55155/038D05	A-A-59126/03	AA59126/038D05
1110-75M-08819Z	MIL-T-55155/03	M55155/039D05	A-A-59126/03	AA59126/039D05

1110-75M-095XXZ

PART NUMBER	MIL SPECIFICATION	MIL PART NUMBER	COMMERCIAL ITEM DESCRIPTION (CID) SPECIFICATION	CID PART NUMBER
1110-75M-09510Z	MIL-T-55155/03	M55155/030C05	A-A-59126/03	AA59126/030C05
1110-75M-09511Z	MIL-T-55155/03	M55155/031C05	A-A-59126/03	AA59126/031C05
1110-75M-09512Z	MIL-T-55155/03	M55155/032C05	A-A-59126/03	AA59126/032C05
1110-75M-09513Z	MIL-T-55155/03	M55155/033C05	A-A-59126/03	AA59126/033C05
1110-75M-09514Z	MIL-T-55155/03	M55155/034C05	A-A-59126/03	AA59126/034C05
1110-75M-09515Z	MIL-T-55155/03	M55155/035C05	A-A-59126/03	AA59126/035C05
1110-75M-09516Z	MIL-T-55155/03	M55155/036C05	A-A-59126/03	AA59126/036C05
1110-75M-09517Z	MIL-T-55155/03	M55155/037C05	A-A-59126/03	AA59126/037C05
1110-75M-09518Z	MIL-T-55155/03	M55155/038C05	A-A-59126/03	AA59126/038C05
1110-75M-09519Z	MIL-T-55155/03	M55155/039C05	A-A-59126/03	AA59126/039C05

TOOLING:

INSTALLATION TOOL: ARBOR PRESS	INSTALLATION TOOL: ANVIL (ARBOR PRESS OPERATED)	INSTALLATION TOOL: PRESS-FIT / ROLL SWAGE / RIVET PUNCH (ARBOR PRESS OPERATED)	INSTALLATION TOOL: PRESS-FIT (HAND OPERATED)
TM1	TA1110-73	TPI1110-73	TTI1110-73

NOTES:

<b>DATASHEET NOTES</b>
------------------------

N/A

<b>INSTRUCTION NOTES</b>
--------------------------

SEE GENERAL PRESS FIT INSTALLATION INSTRUCTION ON CONCORD ELECTRONICS' WEBSITE [WWW.CONCORD-ELECTRONICS.COM](http://WWW.CONCORD-ELECTRONICS.COM).