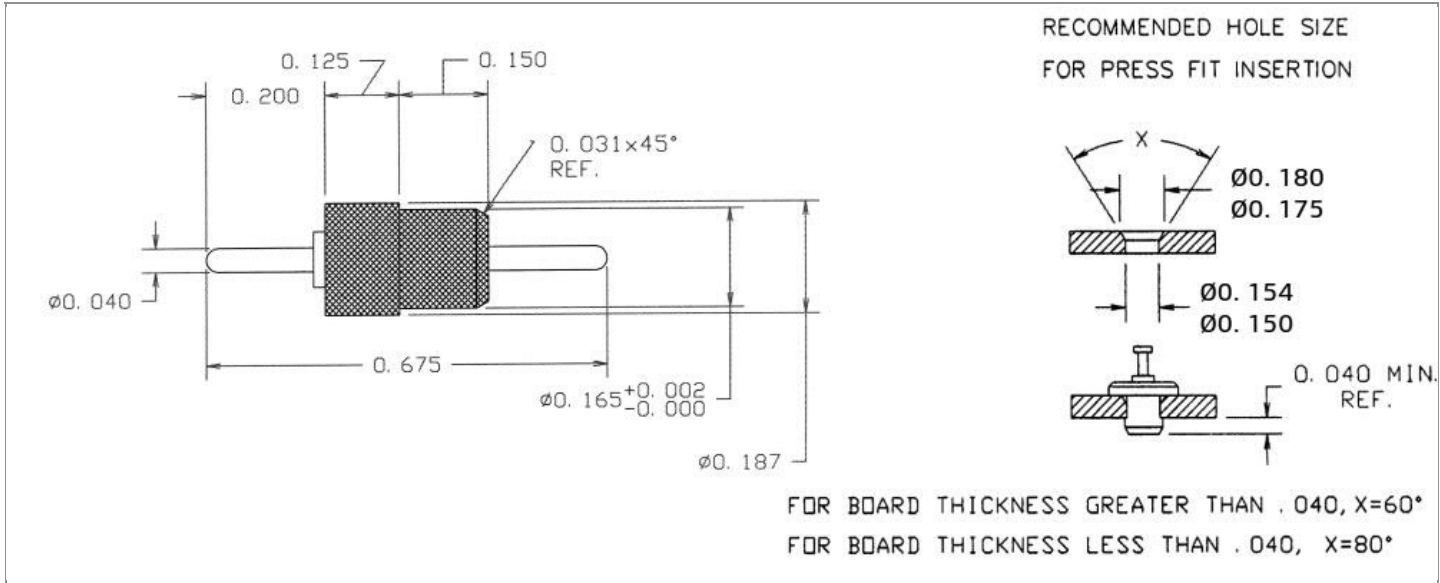


<b>DRAWING NUMBER:</b>	<b>1110-40M-XXXX</b>
<b>PRODUCT GROUP:</b>	TERMINALS
<b>SUB-GROUP:</b>	MILITARY INSULATED TERMINALS
<b>DESCRIPTION:</b>	PTFE INSULATED FEED THRU (PIN/PIN) TERMINAL



PIN DIAMETER	OVERALL LENGTH	MOUNTING ORIENTATION	BOARD / PANEL MOUNTING METHOD
0.040" ± 0.005	0.675"	VERTICAL	PRESS FIT

BOARD / PANEL THICKNESS	MOUNTING HOLE SIZE	DRILL SIZE	FEED THRU COMBINATION
UP TO 1/8"	0.152" ± 0.002	#24	PIN/PIN

**PART NO. STRUCTURE:\***

<b>1110</b>	-	<b>40M</b>	-	<b>XX</b>		<b>XX</b>
PART SERIES		DIMENSION		FINISH		INSULATION COLOR

\*If applicable, "Z" at the end of a PART NO. STRUCTURE indicates TERMINAL MATERIAL TYPE.

**MATERIAL OPTIONS:**

**1110-40M-XXXX**

COMPONENT	MATERIAL	MATERIAL AND SPECIFICATION
TERMINAL	BRASS	BRASS PER ASTM B16, ALLOY C36000, 1/2 HARD
BASE/METAL SLEEVE	N/A	N/A
INSULATION*	PTFE	PTFE PER ASTM D1710
NUT	N/A	N/A
WASHER	N/A	N/A

\*For Insulation color, please see INSULATION COLOR OPTIONS on Page 2

FINISH - PLATING OPTIONS:

1110-40M-XXXX

FINISH CODE	COMPONENT	FINISH	FINISH AND SPECIFICATION
05	TERMINAL	ELECTRO-SOLDER	0.000300"MIN. ELECTRO-SOLDER PER SAE-AMS-P-81728 OVER 0.000100"MIN. COPPER PER SAE-AMS-2418
	BASE/METAL SLEEVE	N/A	N/A
	NUT	N/A	N/A
	WASHER	N/A	N/A
088	TERMINAL	BRIGHT TIN-LEAD	0.000300"MIN. BRIGHT TIN-LEAD (Sn93%-Pb7%) PER ASTM B545 OVER 0.000100"MIN. COPPER PER SAE-AMS-2418
	BASE/METAL SLEEVE	N/A	N/A
	NUT	N/A	N/A
	WASHER	N/A	N/A
095	TERMINAL	HOT SOLDER DIP	0.000100"MIN. HOT SOLDER DIP USING Sn60 PER IPC-J-STD-006 OVER 0.000100"MIN. COPPER PER SAE-AMS-2418
	BASE/METAL SLEEVE	N/A	N/A
	NUT	N/A	N/A
	WASHER	N/A	N/A

INSULATION COLOR OPTIONS:

1110-40M-XXXX

INSULATION COLOR	BLACK	BLUE	BROWN	GRAY	GREEN	ORANGE	RED	VIOLET	WHITE	YELLOW
COLOR CODE NO.	10	16	11	18	15	13	12	17	19	14

TOLERANCES:\*

DECIMAL	FRACTIONAL	ANGULAR	DRAWING ORIENTATION DATE	LAST MODIFICATION DATE
± 0.015	N/A	± 3 °	12/1/1999	3/1/2017

\*All dimensions are in inches.

RoHS COMPLIANCE:

1110-40M-05XX

PART NUMBER	RoHS COMPLIANT
1110-40M-0510	NO
1110-40M-0511	NO
1110-40M-0512	NO
1110-40M-0513	NO
1110-40M-0514	NO
1110-40M-0515	NO
1110-40M-0516	NO
1110-40M-0517	NO
1110-40M-0518	NO
1110-40M-0519	NO

1110-40M-088XX

PART NUMBER	RoHS COMPLIANT
1110-40M-08810	NO
1110-40M-08811	NO
1110-40M-08812	NO
1110-40M-08813	NO
1110-40M-08814	NO
1110-40M-08815	NO
1110-40M-08816	NO
1110-40M-08817	NO
1110-40M-08818	NO
1110-40M-08819	NO

1110-40M-095XX

PART NUMBER	RoHS COMPLIANT
1110-40M-09510	NO
1110-40M-09511	NO
1110-40M-09512	NO
1110-40M-09513	NO
1110-40M-09514	NO
1110-40M-09515	NO
1110-40M-09516	NO
1110-40M-09517	NO
1110-40M-09518	NO
1110-40M-09519	NO

MILITARY REFERENCE SPECIFICATIONS:

1110-40M-05XX

PART NUMBER	MIL SPECIFICATION	MIL PART NUMBER	COMMERCIAL ITEM DESCRIPTION (CID) SPECIFICATION	CID PART NUMBER
1110-40M-0510	MIL-T-55155/03	M55155/030H03 (FT030B03S)	A-A-59126/03	AA59126/030H03
1110-40M-0511	MIL-T-55155/03	M55155/031H03 (FT031B03S)	A-A-59126/03	AA59126/031H03
1110-40M-0512	MIL-T-55155/03	M55155/032H03 (FT032B03S)	A-A-59126/03	AA59126/032H03
1110-40M-0513	MIL-T-55155/03	M55155/033H03 (FT033B03S)	A-A-59126/03	AA59126/033H03
1110-40M-0514	MIL-T-55155/03	M55155/034H03 (FT034B03S)	A-A-59126/03	AA59126/034H03
1110-40M-0515	MIL-T-55155/03	M55155/035H03 (FT035B03S)	A-A-59126/03	AA59126/035H03
1110-40M-0516	MIL-T-55155/03	M55155/036H03 (FT036B03S)	A-A-59126/03	AA59126/036H03
1110-40M-0517	MIL-T-55155/03	M55155/037H03 (FT037B03S)	A-A-59126/03	AA59126/037H03
1110-40M-0518	MIL-T-55155/03	M55155/038H03 (FT038B03S)	A-A-59126/03	AA59126/038H03
1110-40M-0519	MIL-T-55155/03	M55155/039H03 (FT039B03S)	A-A-59126/03	AA59126/039H03

1110-40M-088XX

PART NUMBER	MIL SPECIFICATION	MIL PART NUMBER	COMMERCIAL ITEM DESCRIPTION (CID) SPECIFICATION	CID PART NUMBER
1110-40M-08810	MIL-T-55155/03	M55155/030J03	A-A-59126/03	AA59126/030J03 (AA59126/03003)
1110-40M-08811	MIL-T-55155/03	M55155/031J03	A-A-59126/03	AA59126/031J03 (AA59126/03103)
1110-40M-08812	MIL-T-55155/03	M55155/032J03	A-A-59126/03	AA59126/032J03 (AA59126/03203)
1110-40M-08813	MIL-T-55155/03	M55155/033J03	A-A-59126/03	AA59126/033J03 (AA59126/03303)
1110-40M-08814	MIL-T-55155/03	M55155/034J03	A-A-59126/03	AA59126/034J03 (AA59126/03403)

Continued on next page...

MILITARY REFERENCE SPECIFICATIONS CONTINUED:

1110-40M-088XX

PART NUMBER	MIL SPECIFICATION	MIL PART NUMBER	COMMERCIAL ITEM DESCRIPTION (CID) SPECIFICATION	CID PART NUMBER
1110-40M-08815	MIL-T-55155/03	M55155/035J03	A-A-59126/03	AA59126/035J03 (AA59126/03503)
1110-40M-08816	MIL-T-55155/03	M55155/036J03	A-A-59126/03	AA59126/036J03 (AA59126/03603)
1110-40M-08817	MIL-T-55155/03	M55155/037J03	A-A-59126/03	AA59126/037J03 (AA59126/03703)
1110-40M-08818	MIL-T-55155/03	M55155/038J03	A-A-59126/03	AA59126/038J03 (AA59126/03803)
1110-40M-08819	MIL-T-55155/03	M55155/039J03	A-A-59126/03	AA59126/039J03 (AA59126/03903)

1110-40M-095XX

PART NUMBER	MIL SPECIFICATION	MIL PART NUMBER	COMMERCIAL ITEM DESCRIPTION (CID) SPECIFICATION	CID PART NUMBER
1110-40M-09510	MIL-T-55155/03	M55155/030I03	A-A-59126/03	AA59126/030I03
1110-40M-09511	MIL-T-55155/03	M55155/031I03	A-A-59126/03	AA59126/031I03
1110-40M-09512	MIL-T-55155/03	M55155/032I03	A-A-59126/03	AA59126/032I03
1110-40M-09513	MIL-T-55155/03	M55155/033I03	A-A-59126/03	AA59126/033I03
1110-40M-09514	MIL-T-55155/03	M55155/034I03	A-A-59126/03	AA59126/034I03
1110-40M-09515	MIL-T-55155/03	M55155/035I03	A-A-59126/03	AA59126/035I03
1110-40M-09516	MIL-T-55155/03	M55155/036I03	A-A-59126/03	AA59126/036I03
1110-40M-09517	MIL-T-55155/03	M55155/037I03	A-A-59126/03	AA59126/037I03
1110-40M-09518	MIL-T-55155/03	M55155/038I03	A-A-59126/03	AA59126/038I03
1110-40M-09519	MIL-T-55155/03	M55155/039I03	A-A-59126/03	AA59126/039I03

TOOLING:

INSTALLATION TOOL: ARBOR PRESS	INSTALLATION TOOL: ANVIL (ARBOR PRESS OPERATED)	INSTALLATION TOOL: PRESS-FIT / ROLL SWAGE / RIVET PUNCH (ARBOR PRESS OPERATED)	INSTALLATION TOOL: PRESS-FIT (HAND OPERATED)
TM1	TA1110-40	TP1110-40	TT1110-40

NOTES:

<b>DATASHEET NOTES</b>
------------------------

N/A

<b>INSTRUCTION NOTES</b>
--------------------------

SEE GENERAL PRESS FIT INSTALLATION INSTRUCTION ON CONCORD ELECTRONICS' WEBSITE [WWW.CONCORD-ELECTRONICS.COM](http://WWW.CONCORD-ELECTRONICS.COM).