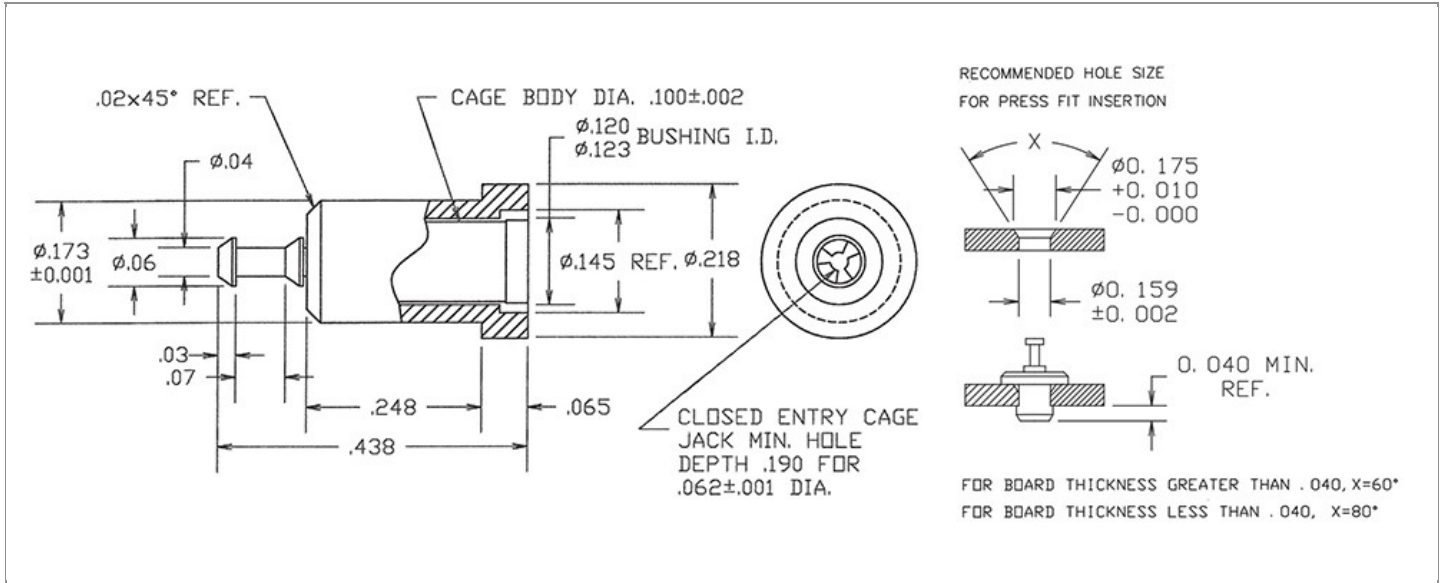


DRAWING NUMBER:	09-9211-1-XXXX
PRODUCT GROUP:	PC JACKS
SUB-GROUP:	INSULATED PC JACKS
DESCRIPTION:	TEST POINT INSULATED JACK - VERTICAL MOUNT



ACCEPTS PIN / PLUG / JACK SIZE	OVERALL LENGTH	MIN. HOLE DEPTH	MOUNTING ORIENTATION
0.062" \pm 0.001	0.438"	0.190"	VERTICAL
BOARD / PANEL MOUNTING METHOD	MOUNTING HOLE SIZE	BOARD / PANEL THICKNESS	FEED THRU COMBINATION
PRESS FIT	0.159" \pm 0.002	1/32" - 3/16"	JACK/TURRET

PART NO. STRUCTURE:

09-9211	-	1	-	XX	XX
PART SERIES		DIMENSION		FINISH	INSULATION COLOR

MATERIAL OPTIONS:

09-9211-1-XXXX

COMPONENT	MATERIAL	MATERIAL AND SPECIFICATION
BODY	BRASS	BRASS PER ASTM B16, ALLOY C36000, 1/2 HARD
SPRING (CAGE)	BERYLLIUM COPPER	BERYLLIUM COPPER PER ASTM B194, ALLOY C17200
INSULATION*	PTFE	PTFE PER ASTM D1710
MOUNTING BRACKET	N/A	N/A

*For Insulation color, please see INSULATION COLOR OPTIONS on Page 2

FINISH - PLATING OPTIONS:

09-9211-1-XXXX

FINISH CODE	COMPONENT	FINISH	FINISH AND SPECIFICATION
032	BODY	GOLD	0.000020"MIN. GOLD PER ASTM B488, TYPE II, CODE C OVER 0.000100"MIN. NICKEL PER SAE-AMS-QQ-N-290, CLASS 2
	SPRING (CAGE)	GOLD	0.000030"MIN. GOLD PER ASTM B488, TYPE II, CODE C OVER 0.000100"MIN. NICKEL PER SAE-AMS-QQ-N-290, CLASS 2
	MOUNTING BRACKET	N/A	N/A

INSULATION COLOR OPTIONS:

09-9211-1-XXXX

INSULATION COLOR	BLACK	BLUE	BROWN	GRAY	GREEN	ORANGE	RED	VIOLET	WHITE	YELLOW
COLOR CODE NO.	10	16	11	18	15	13	12	17	19	14

TOLERANCES:*

DECIMAL	FRACTIONAL	ANGULAR	DRAWING ORIGATION DATE	LAST MODIFICATION DATE
± 0.005	± 1/64	± 5 °	3/5/1996	1/1/2017

*All dimensions are in inches.

RoHS COMPLIANCE:

09-9211-1-032XX

PART NUMBER	RoHS COMPLIANT
09-9211-1-03210	YES
09-9211-1-03211	NO
09-9211-1-03212	NO
09-9211-1-03213	NO
09-9211-1-03214	NO
09-9211-1-03215	YES
09-9211-1-03216	YES
09-9211-1-03217	YES
09-9211-1-03218	NO
09-9211-1-03219	YES

MILITARY REFERENCE SPECIFICATIONS:

09-9211-1-032XX

PART NUMBER	MIL SPECIFICATION	MIL PART NUMBER
09-9211-1-03210	N/A	N/A
09-9211-1-03211	N/A	N/A

Continued on next page...

MILITARY REFERENCE SPECIFICATIONS CONTINUED:

09-9211-1-032XX

PART NUMBER	MIL SPECIFICATION	MIL PART NUMBER
09-9211-1-03212	N/A	N/A
09-9211-1-03213	N/A	N/A
09-9211-1-03214	N/A	N/A
09-9211-1-03215	N/A	N/A
09-9211-1-03216	N/A	N/A
09-9211-1-03217	N/A	N/A
09-9211-1-03218	N/A	N/A
09-9211-1-03219	N/A	N/A

TOOLING:

INSTALLATION TOOL: ARBOR PRESS	INSTALLATION TOOL: ANVIL (ARBOR PRESS OPERATED)	INSTALLATION TOOL: PRESS-FIT / ROLL SWAGE / RIVET PUNCH (ARBOR PRESS OPERATED)	INSTALLATION TOOL: PRESS-FIT (HAND OPERATED)	CRIMPING TOOL (COMMERCIAL VERSION)
TM1	TA09-9211	TPP09-9211	TTJ09-9211	N/A

NOTES:

DATASHEET NOTES

CLOSED ENTRY CAGE.

INSTRUCTION NOTES

SEE GENERAL PRESS FIT INSTALLATION INSTRUCTION ON CONCORD ELECTRONICS' WEBSITE WWW.CONCORD-ELECTRONICS.COM