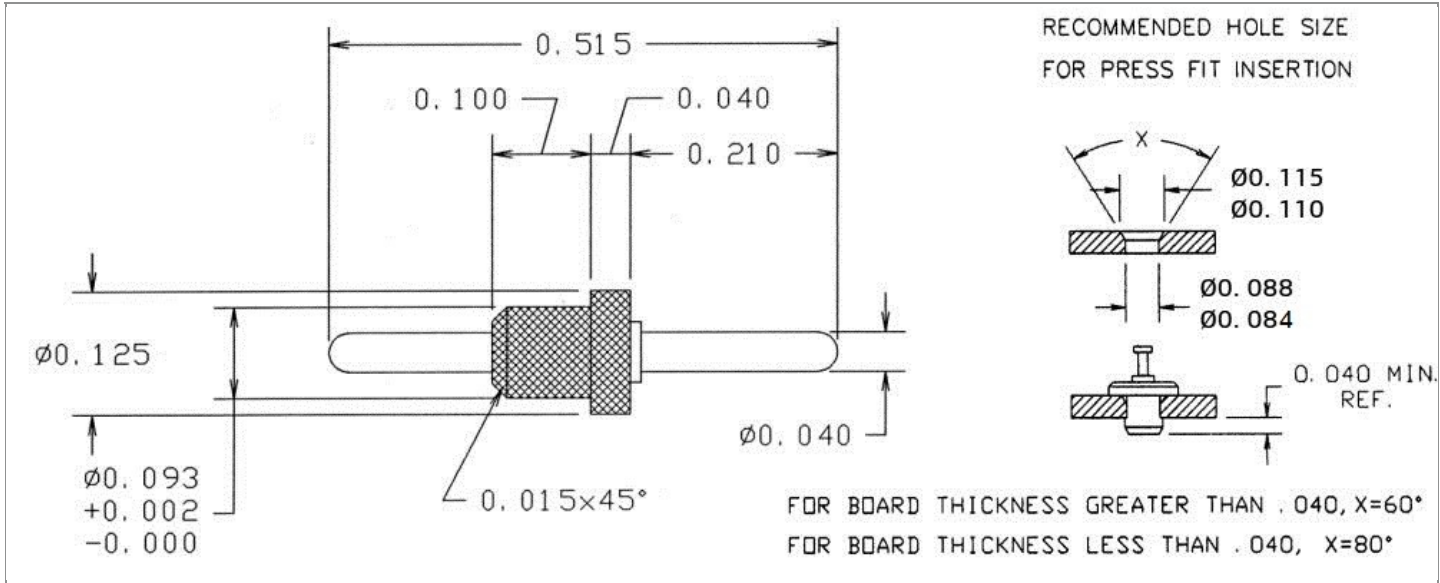


<b>DRAWING NUMBER:</b>	1110-05M-XXXX
<b>PRODUCT GROUP:</b>	TERMINALS
<b>SUB-GROUP:</b>	MILITARY INSULATED TERMINALS
<b>DESCRIPTION:</b>	PTFE INSULATED FEED THRU (PIN/PIN) TERMINAL



PIN DIAMETER	OVERALL LENGTH	MOUNTING ORIENTATION	BOARD / PANEL MOUNTING METHOD
0.040" ± 0.005	0.515"	VERTICAL	PRESS FIT

BOARD / PANEL THICKNESS	MOUNTING HOLE SIZE	DRILL SIZE	FEED THRU COMBINATION
UP TO 1/16"	0.086" ± 0.002	#44	PIN/PIN

**PART NO. STRUCTURE:\***

1110	-	05M	-	XX	XX
PART SERIES		DIMENSION		FINISH	INSULATION COLOR

\*If applicable, "Z" at the end of a PART NO. STRUCTURE indicates TERMINAL MATERIAL TYPE.

**MATERIAL OPTIONS:**

**1110-05M-XXXX**

COMPONENT	MATERIAL	MATERIAL AND SPECIFICATION
TERMINAL	BRASS	BRASS PER ASTM B16, ALLOY C36000, 1/2 HARD
BASE/METAL SLEEVE	N/A	N/A
INSULATION*	PTFE	PTFE PER ASTM D1710
NUT	N/A	N/A
WASHER	N/A	N/A

\*For Insulation color, please see INSULATION COLOR OPTIONS on Page 2

FINISH - PLATING OPTIONS:

1110-05M-XXXX

FINISH CODE	COMPONENT	FINISH	FINISH AND SPECIFICATION
05	TERMINAL	ELECTRO-SOLDER	0.000300"MIN. ELECTRO-SOLDER PER SAE-AMS-P-81728 OVER 0.000100"MIN. COPPER PER SAE-AMS-2418
	BASE/METAL SLEEVE	N/A	N/A
	NUT	N/A	N/A
	WASHER	N/A	N/A
088	TERMINAL	BRIGHT TIN-LEAD	0.000300"MIN. BRIGHT TIN-LEAD (Sn93%-Pb7%) PER ASTM B545 OVER 0.000100"MIN. COPPER PER SAE-AMS-2418
	BASE/METAL SLEEVE	N/A	N/A
	NUT	N/A	N/A
	WASHER	N/A	N/A
095	TERMINAL	HOT SOLDER DIP	0.000100"MIN. HOT SOLDER DIP USING Sn60 PER IPC-J-STD-006 OVER 0.000100"MIN. COPPER PER SAE-AMS-2418
	BASE/METAL SLEEVE	N/A	N/A
	NUT	N/A	N/A
	WASHER	N/A	N/A

INSULATION COLOR OPTIONS:

1110-05M-XXXX

INSULATION COLOR	BLACK	BLUE	BROWN	GRAY	GREEN	ORANGE	RED	VIOLET	WHITE	YELLOW
COLOR CODE NO.	10	16	11	18	15	13	12	17	19	14

TOLERANCES:\*

DECIMAL	FRACTIONAL	ANGULAR	DRAWING ORIGINATION DATE	LAST MODIFICATION DATE
± 0.015	N/A	± 3 °	4/2/1997	3/1/2017

\*All dimensions are in inches.

RoHS COMPLIANCE:

1110-05M-05XX

PART NUMBER	RoHS COMPLIANT
1110-05M-0510	NO
1110-05M-0511	NO
1110-05M-0512	NO
1110-05M-0513	NO
1110-05M-0514	NO
1110-05M-0515	NO
1110-05M-0516	NO
1110-05M-0517	NO
1110-05M-0518	NO
1110-05M-0519	NO

1110-05M-088XX

PART NUMBER	RoHS COMPLIANT
1110-05M-08810	NO
1110-05M-08811	NO
1110-05M-08812	NO
1110-05M-08813	NO
1110-05M-08814	NO
1110-05M-08815	NO
1110-05M-08816	NO
1110-05M-08817	NO
1110-05M-08818	NO
1110-05M-08819	NO

1110-05M-095XX

PART NUMBER	RoHS COMPLIANT
1110-05M-09510	NO
1110-05M-09511	NO
1110-05M-09512	NO
1110-05M-09513	NO
1110-05M-09514	NO
1110-05M-09515	NO
1110-05M-09516	NO
1110-05M-09517	NO
1110-05M-09518	NO
1110-05M-09519	NO

MILITARY REFERENCE SPECIFICATIONS:

1110-05M-05XX

PART NUMBER	MIL SPECIFICATION	MIL PART NUMBER	COMMERCIAL ITEM DESCRIPTION (CID) SPECIFICATION	CID PART NUMBER
1110-05M-0510	MIL-T-55155/03	M55155/030H04 (FT030B04S)	A-A-59126/03	AA59126/030H04
1110-05M-0511	MIL-T-55155/03	M55155/031H04 (FT031B04S)	A-A-59126/03	AA59126/031H04
1110-05M-0512	MIL-T-55155/03	M55155/032H04 (FT032B04S)	A-A-59126/03	AA59126/032H04
1110-05M-0513	MIL-T-55155/03	M55155/033H04 (FT033B04S)	A-A-59126/03	AA59126/033H04
1110-05M-0514	MIL-T-55155/03	M55155/034H04 (FT034B04S)	A-A-59126/03	AA59126/034H04
1110-05M-0515	MIL-T-55155/03	M55155/035H04 (FT035B04S)	A-A-59126/03	AA59126/035H04
1110-05M-0516	MIL-T-55155/03	M55155/036H04 (FT036B04S)	A-A-59126/03	AA59126/036H04
1110-05M-0517	MIL-T-55155/03	M55155/037H04 (FT037B04S)	A-A-59126/03	AA59126/037H04
1110-05M-0518	MIL-T-55155/03	M55155/038H04 (FT038B04S)	A-A-59126/03	AA59126/038H04
1110-05M-0519	MIL-T-55155/03	M55155/039H04 (FT039B04S)	A-A-59126/03	AA59126/039H04

1110-05M-088XX

PART NUMBER	MIL SPECIFICATION	MIL PART NUMBER	COMMERCIAL ITEM DESCRIPTION (CID) SPECIFICATION	CID PART NUMBER
1110-05M-08810	MIL-T-55155/03	M55155/030J04	A-A-59126/03	AA59126/030J04 (AA59126/03004)
1110-05M-08811	MIL-T-55155/03	M55155/031J04	A-A-59126/03	AA59126/031J04 (AA59126/03104)
1110-05M-08812	MIL-T-55155/03	M55155/032J04	A-A-59126/03	AA59126/032J04 (AA59126/03204)
1110-05M-08813	MIL-T-55155/03	M55155/033J04	A-A-59126/03	AA59126/033J04 (AA59126/03304)
1110-05M-08814	MIL-T-55155/03	M55155/034J04	A-A-59126/03	AA59126/034J04 (AA59126/03404)

Continued on next page...

MILITARY REFERENCE SPECIFICATIONS CONTINUED:

1110-05M-088XX

PART NUMBER	MIL SPECIFICATION	MIL PART NUMBER	COMMERCIAL ITEM DESCRIPTION (CID) SPECIFICATION	CID PART NUMBER
1110-05M-08815	MIL-T-55155/03	M55155/035J04	A-A-59126/03	AA59126/035J04 (AA59126/03504)
1110-05M-08816	MIL-T-55155/03	M55155/036J04	A-A-59126/03	AA59126/036J04 (AA59126/03604)
1110-05M-08817	MIL-T-55155/03	M55155/037J04	A-A-59126/03	AA59126/037J04 (AA59126/03704)
1110-05M-08818	MIL-T-55155/03	M55155/038J04	A-A-59126/03	AA59126/038J04 (AA59126/03804)
1110-05M-08819	MIL-T-55155/03	M55155/039J04	A-A-59126/03	AA59126/039J04 (AA59126/03904)

1110-05M-095XX

PART NUMBER	MIL SPECIFICATION	MIL PART NUMBER	COMMERCIAL ITEM DESCRIPTION (CID) SPECIFICATION	CID PART NUMBER
1110-05M-09510	MIL-T-55155/03	M55155/030I04	A-A-59126/03	AA59126/030I04
1110-05M-09511	MIL-T-55155/03	M55155/031I04	A-A-59126/03	AA59126/031I04
1110-05M-09512	MIL-T-55155/03	M55155/032I04	A-A-59126/03	AA59126/032I04
1110-05M-09513	MIL-T-55155/03	M55155/033I04	A-A-59126/03	AA59126/033I04
1110-05M-09514	MIL-T-55155/03	M55155/034I04	A-A-59126/03	AA59126/034I04
1110-05M-09515	MIL-T-55155/03	M55155/035I04	A-A-59126/03	AA59126/035I04
1110-05M-09516	MIL-T-55155/03	M55155/036I04	A-A-59126/03	AA59126/036I04
1110-05M-09517	MIL-T-55155/03	M55155/037I04	A-A-59126/03	AA59126/037I04
1110-05M-09518	MIL-T-55155/03	M55155/038I04	A-A-59126/03	AA59126/038I04
1110-05M-09519	MIL-T-55155/03	M55155/039I04	A-A-59126/03	AA59126/039I04

TOOLING:

INSTALLATION TOOL: ARBOR PRESS	INSTALLATION TOOL: ANVIL (ARBOR PRESS OPERATED)	INSTALLATION TOOL: PRESS-FIT / ROLL SWAGE / RIVET PUNCH (ARBOR PRESS OPERATED)	INSTALLATION TOOL: PRESS-FIT (HAND OPERATED)
TM1	TA1110-05	TP1110-05	TT1110-05

NOTES:

<b>DATASHEET NOTES</b>
------------------------

N/A

<b>INSTRUCTION NOTES</b>
--------------------------

SEE GENERAL PRESS FIT INSTALLATION INSTRUCTION ON CONCORD ELECTRONICS' WEBSITE [WWW.CONCORD-ELECTRONICS.COM](http://WWW.CONCORD-ELECTRONICS.COM).