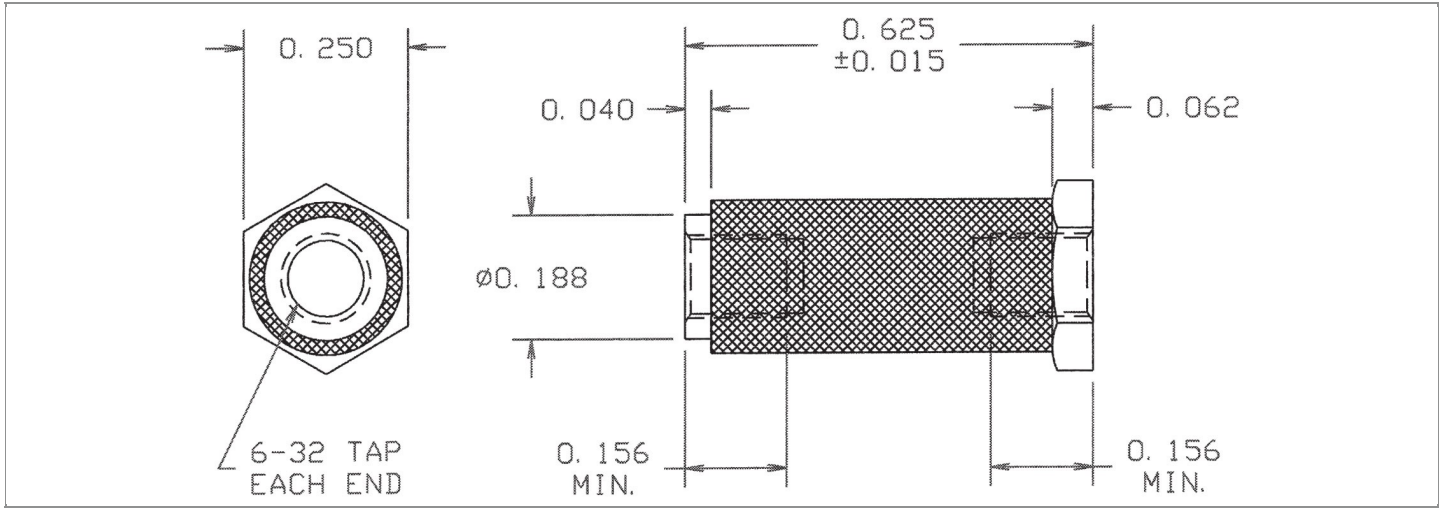


|                        |                                                        |
|------------------------|--------------------------------------------------------|
| <b>DRAWING NUMBER:</b> | <b>1170-10-XXXX</b>                                    |
| <b>PRODUCT GROUP:</b>  | TERMINALS                                              |
| <b>SUB-GROUP:</b>      | COMMERCIAL INSULATED TERMINALS                         |
| <b>DESCRIPTION:</b>    | DIALLYL PHTHALATE INSULATED TERMINAL WITH THREADED TOP |



| OVERALL LENGTH   | PIN DIAMETER            | FEED THRU COMBINATION  | BOARD / PANEL MOUNTING METHOD |
|------------------|-------------------------|------------------------|-------------------------------|
| 0.625"           | N/A                     | N/A                    | THREAD MOUNT (6-32 SCREW)     |
| SHANK LENGTH (L) | BOARD / PANEL THICKNESS | MOUNTING HOLE SIZE     | DRILL SIZE                    |
| N/A              | N/A                     | CLEARANCE FOR #6 SCREW | #27                           |

**PART NO. STRUCTURE:**

|             |   |           |   |        |                  |
|-------------|---|-----------|---|--------|------------------|
| 1170        | - | 10        | - | XX     | XX               |
| PART SERIES |   | DIMENSION |   | FINISH | INSULATION COLOR |

**MATERIAL OPTIONS:**

**1170-10-XXXX**

| COMPONENT         | MATERIAL          | MATERIAL AND SPECIFICATION                          |
|-------------------|-------------------|-----------------------------------------------------|
| TERMINAL          | BRASS             | BRASS PER ASTM B16, ALLOY C36000, 1/2 HARD          |
| BASE/METAL SLEEVE | BRASS             | BRASS PER ASTM B16, ALLOY C36000, 1/2 HARD          |
| INSULATION*       | DIALLYL PHTHALATE | MOLDED DIALLYL PHTHALATE, TYPE SDG-F PER ASTM D5948 |
| NUT               | N/A               | N/A                                                 |
| WASHER            | N/A               | N/A                                                 |

\*For Insulation color, please see INSULATION COLOR OPTIONS on Page 2

FINISH - PLATING OPTIONS:

1170-10-XXXX

| FINISH CODE | COMPONENT         | FINISH | FINISH AND SPECIFICATION                                        |
|-------------|-------------------|--------|-----------------------------------------------------------------|
| 075         | TERMINAL          | ZINC   | 0.000100"MIN. ZINC WITH YELLOW TRIVALENT CHROMATE PER ASTM B633 |
|             | BASE/METAL SLEEVE | ZINC   | 0.000100"MIN. ZINC WITH YELLOW TRIVALENT CHROMATE PER ASTM B633 |
|             | NUT               | N/A    | N/A                                                             |
|             | WASHER            | N/A    | N/A                                                             |

INSULATION COLOR OPTIONS:

1170-10-XXXX

| INSULATION COLOR | BLACK | BLUE | BROWN | GRAY | GREEN | ORANGE | RED | VIOLET | WHITE | YELLOW |
|------------------|-------|------|-------|------|-------|--------|-----|--------|-------|--------|
| COLOR CODE NO.   | 10    | 16   | 11    | 18   | 15    | 13     | 12  | 17     | 19    | 14     |

TOLERANCES:\*

| DECIMAL | FRACTIONAL | ANGULAR | DRAWING ORIGATION DATE | LAST MODIFICATION DATE |
|---------|------------|---------|------------------------|------------------------|
| ± 0.005 | ± 1/64     | N/A     | 4/2/1997               | 3/1/2017               |

\*All dimensions are in inches.

RoHS COMPLIANCE:

1170-10-075XX

| PART NUMBER   | RoHS COMPLIANT |
|---------------|----------------|
| 1170-10-07510 | YES            |
| 1170-10-07511 | YES            |
| 1170-10-07512 | YES            |
| 1170-10-07513 | YES            |
| 1170-10-07514 | YES            |
| 1170-10-07515 | YES            |
| 1170-10-07516 | YES            |
| 1170-10-07517 | YES            |
| 1170-10-07518 | YES            |
| 1170-10-07519 | YES            |

TOOLING:

| INSTALLATION TOOL:<br>ARBOR PRESS | INSTALLATION TOOL:<br>ANVIL<br>(ARBOR PRESS OPERATED) | INSTALLATION TOOL:<br>PRESS-FIT / ROLL SWAGE / RIVET PUNCH<br>(ARBOR PRESS OPERATED) | INSTALLATION TOOL:<br>PRESS-FIT<br>(HAND OPERATED) |
|-----------------------------------|-------------------------------------------------------|--------------------------------------------------------------------------------------|----------------------------------------------------|
| N/A                               | N/A                                                   | N/A                                                                                  | N/A                                                |

**NOTES:**

---

**DATASHEET NOTES**

MATERIAL AND FINISH FOR THREADED HEX BASE AND TOP MOUNTS ARE THE SAME. SCREW IS NOT INCLUDED.

---

**INSTRUCTION NOTES**

N/A

---