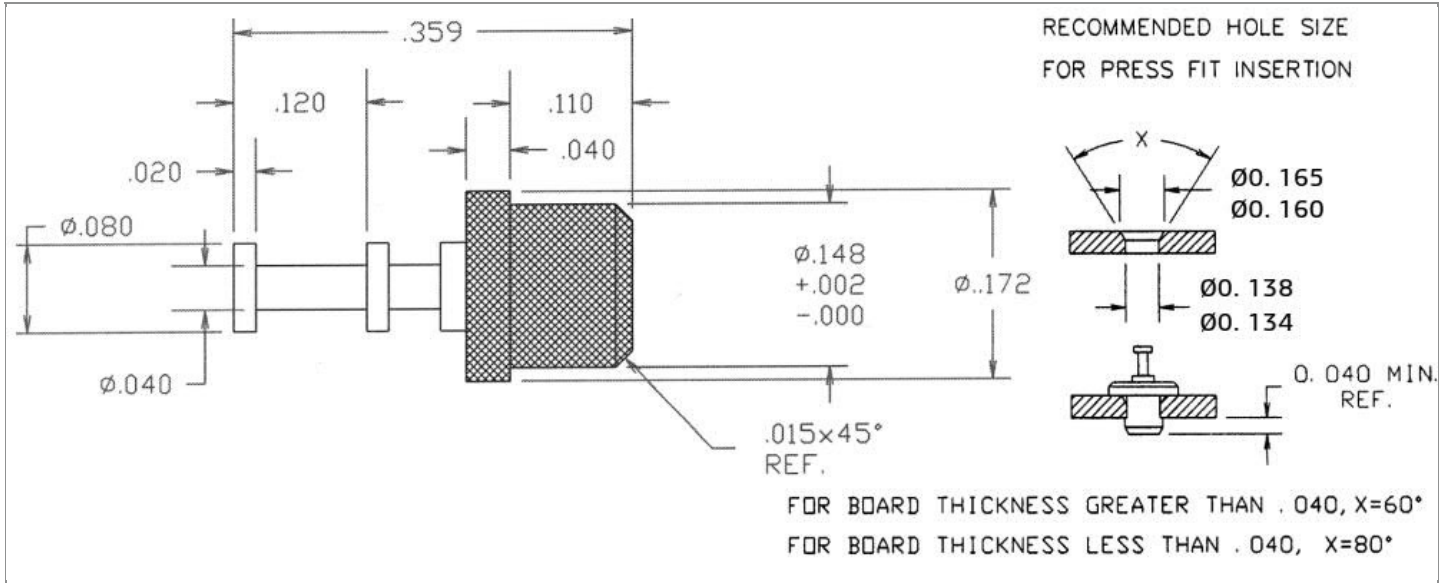


DRAWING NUMBER:	1102-14M-XXXX
PRODUCT GROUP:	TERMINALS
SUB-GROUP:	MILITARY INSULATED TERMINALS
DESCRIPTION:	PTFE INSULATED DOUBLE TURRET TERMINAL



PIN DIAMETER	OVERALL LENGTH	MOUNTING ORIENTATION	BOARD / PANEL MOUNTING METHOD
N/A	0.359"	VERTICAL	PRESS FIT
BOARD / PANEL THICKNESS	MOUNTING HOLE SIZE	DRILL SIZE	FEED THRU COMBINATION
UP TO 1/16"	0.136" ± 0.002	#29	N/A

PART NO. STRUCTURE:*

1102	-	14M	-	XX	XX
PART SERIES		DIMENSION		FINISH	INSULATION COLOR

*If applicable, "Z" at the end of a PART NO. STRUCTURE indicates TERMINAL MATERIAL TYPE.

MATERIAL OPTIONS:

1102-14M-XXXX

COMPONENT	MATERIAL	MATERIAL AND SPECIFICATION
TERMINAL	BRASS	BRASS PER ASTM B16, ALLOY C36000, 1/2 HARD
BASE/METAL SLEEVE	N/A	N/A
INSULATION*	PTFE	PTFE PER ASTM D1710
NUT	N/A	N/A
WASHER	N/A	N/A

*For Insulation color, please see INSULATION COLOR OPTIONS on Page 2

FINISH - PLATING OPTIONS:

1102-14M-XXXX

FINISH CODE	COMPONENT	FINISH	FINISH AND SPECIFICATION
05	TERMINAL	ELECTRO-SOLDER	0.000300"MIN. ELECTRO-SOLDER PER SAE-AMS-P-81728 OVER 0.000100"MIN. COPPER PER SAE-AMS-2418
	BASE/METAL SLEEVE	N/A	N/A
	NUT	N/A	N/A
	WASHER	N/A	N/A
088	TERMINAL	BRIGHT TIN-LEAD	0.000300"MIN. BRIGHT TIN-LEAD (Sn93%-Pb7%) PER ASTM B545 OVER 0.000100"MIN. COPPER PER SAE-AMS-2418
	BASE/METAL SLEEVE	N/A	N/A
	NUT	N/A	N/A
	WASHER	N/A	N/A
095	TERMINAL	HOT SOLDER DIP	0.000100"MIN. HOT SOLDER DIP USING Sn60 PER IPC-J-STD-006 OVER 0.000100"MIN. COPPER PER SAE-AMS-2418
	BASE/METAL SLEEVE	N/A	N/A
	NUT	N/A	N/A
	WASHER	N/A	N/A

INSULATION COLOR OPTIONS:

1102-14M-XXXX

INSULATION COLOR	BLACK	BLUE	BROWN	GRAY	GREEN	ORANGE	RED	VIOLET	WHITE	YELLOW
COLOR CODE NO.	10	16	11	18	15	13	12	17	19	14

TOLERANCES:*

DECIMAL	FRACTIONAL	ANGULAR	DRAWING ORIENTATION DATE	LAST MODIFICATION DATE
± 0.015	N/A	± 3 °	9/12/1995	3/1/2017

*All dimensions are in inches.

RoHS COMPLIANCE:

1102-14M-05XX

PART NUMBER	RoHS COMPLIANT
1102-14M-0510	NO
1102-14M-0511	NO
1102-14M-0512	NO
1102-14M-0513	NO
1102-14M-0514	NO
1102-14M-0515	NO
1102-14M-0516	NO
1102-14M-0517	NO
1102-14M-0518	NO
1102-14M-0519	NO

1102-14M-088XX

PART NUMBER	RoHS COMPLIANT
1102-14M-08810	NO
1102-14M-08811	NO
1102-14M-08812	NO
1102-14M-08813	NO
1102-14M-08814	NO
1102-14M-08815	NO
1102-14M-08816	NO
1102-14M-08817	NO
1102-14M-08818	NO
1102-14M-08819	NO

1102-14M-095XX

PART NUMBER	RoHS COMPLIANT
1102-14M-09510	NO
1102-14M-09511	NO
1102-14M-09512	NO
1102-14M-09513	NO
1102-14M-09514	NO
1102-14M-09515	NO
1102-14M-09516	NO
1102-14M-09517	NO
1102-14M-09518	NO
1102-14M-09519	NO

MILITARY REFERENCE SPECIFICATIONS:

1102-14M-05XX

PART NUMBER	MIL SPECIFICATION	MIL PART NUMBER	COMMERCIAL ITEM DESCRIPTION (CID) SPECIFICATION	CID PART NUMBER
1102-14M-0510	MIL-T-55155/07	M55155/070H01 (SE070B01S)	A-A-59126/07	AA59126/070H01
1102-14M-0511	MIL-T-55155/07	M55155/071H01 (SE071B01S)	A-A-59126/07	AA59126/071H01
1102-14M-0512	MIL-T-55155/07	M55155/072H01 (SE072B01S)	A-A-59126/07	AA59126/072H01
1102-14M-0513	MIL-T-55155/07	M55155/073H01 (SE073B01S)	A-A-59126/07	AA59126/073H01
1102-14M-0514	MIL-T-55155/07	M55155/074H01 (SE074B01S)	A-A-59126/07	AA59126/074H01
1102-14M-0515	MIL-T-55155/07	M55155/075H01 (SE075B01S)	A-A-59126/07	AA59126/075H01
1102-14M-0516	MIL-T-55155/07	M55155/076H01 (SE076B01S)	A-A-59126/07	AA59126/076H01
1102-14M-0517	MIL-T-55155/07	M55155/077H01 (SE077B01S)	A-A-59126/07	AA59126/077H01
1102-14M-0518	MIL-T-55155/07	M55155/078H01 (SE078B01S)	A-A-59126/07	AA59126/078H01
1102-14M-0519	MIL-T-55155/07	M55155/079H01 (SE079B01S)	A-A-59126/07	AA59126/079H01

1102-14M-088XX

PART NUMBER	MIL SPECIFICATION	MIL PART NUMBER	COMMERCIAL ITEM DESCRIPTION (CID) SPECIFICATION	CID PART NUMBER
1102-14M-08810	MIL-T-55155/07	M55155/070J01	A-A-59126/07	AA59126/070J01 (AA59126/07001)
1102-14M-08811	MIL-T-55155/07	M55155/071J01	A-A-59126/07	AA59126/071J01 (AA59126/07101)
1102-14M-08812	MIL-T-55155/07	M55155/072J01	A-A-59126/07	AA59126/072J01 (AA59126/07201)
1102-14M-08813	MIL-T-55155/07	M55155/073J01	A-A-59126/07	AA59126/073J01 (AA59126/07301)
1102-14M-08814	MIL-T-55155/07	M55155/074J01	A-A-59126/07	AA59126/074J01 (AA59126/07401)

Continued on next page...

MILITARY REFERENCE SPECIFICATIONS CONTINUED:

1102-14M-088XX

PART NUMBER	MIL SPECIFICATION	MIL PART NUMBER	COMMERCIAL ITEM DESCRIPTION (CID) SPECIFICATION	CID PART NUMBER
1102-14M-08815	MIL-T-55155/07	M55155/075J01	A-A-59126/07	AA59126/075J01 (AA59126/07501)
1102-14M-08816	MIL-T-55155/07	M55155/076J01	A-A-59126/07	AA59126/076J01 (AA59126/07601)
1102-14M-08817	MIL-T-55155/07	M55155/077J01	A-A-59126/07	AA59126/077J01 (AA59126/07701)
1102-14M-08818	MIL-T-55155/07	M55155/078J01	A-A-59126/07	AA59126/078J01 (AA59126/07801)
1102-14M-08819	MIL-T-55155/07	M55155/079J01	A-A-59126/07	AA59126/079J01 (AA59126/07901)

1102-14M-095XX

PART NUMBER	MIL SPECIFICATION	MIL PART NUMBER	COMMERCIAL ITEM DESCRIPTION (CID) SPECIFICATION	CID PART NUMBER
1102-14M-09510	MIL-T-55155/07	M55155/070I01	A-A-59126/07	AA59126/070I01
1102-14M-09511	MIL-T-55155/07	M55155/071I01	A-A-59126/07	AA59126/071I01
1102-14M-09512	MIL-T-55155/07	M55155/072I01	A-A-59126/07	AA59126/072I01
1102-14M-09513	MIL-T-55155/07	M55155/073I01	A-A-59126/07	AA59126/073I01
1102-14M-09514	MIL-T-55155/07	M55155/074I01	A-A-59126/07	AA59126/074I01
1102-14M-09515	MIL-T-55155/07	M55155/075I01	A-A-59126/07	AA59126/075I01
1102-14M-09516	MIL-T-55155/07	M55155/076I01	A-A-59126/07	AA59126/076I01
1102-14M-09517	MIL-T-55155/07	M55155/077I01	A-A-59126/07	AA59126/077I01
1102-14M-09518	MIL-T-55155/07	M55155/078I01	A-A-59126/07	AA59126/078I01
1102-14M-09519	MIL-T-55155/07	M55155/079I01	A-A-59126/07	AA59126/079I01

TOOLING:

INSTALLATION TOOL: ARBOR PRESS	INSTALLATION TOOL: ANVIL (ARBOR PRESS OPERATED)	INSTALLATION TOOL: PRESS-FIT / ROLL SWAGE / RIVET PUNCH (ARBOR PRESS OPERATED)	INSTALLATION TOOL: PRESS-FIT (HAND OPERATED)
TM1	TA1102-14	TPI1102-14	TTI1102-14

NOTES:

DATASHEET NOTES

N/A

INSTRUCTION NOTES

SEE GENERAL PRESS FIT INSTALLATION INSTRUCTION ON CONCORD ELECTRONICS' WEBSITE WWW.CONCORD-ELECTRONICS.COM.