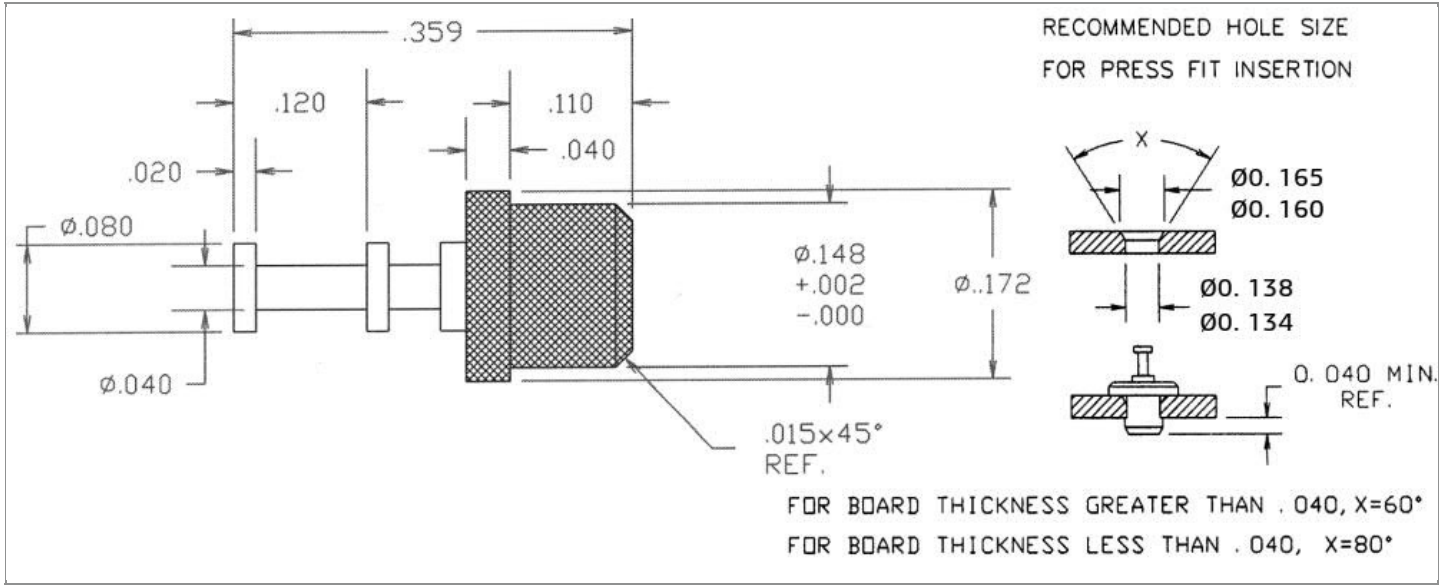


<b>DRAWING NUMBER:</b>	<b>1102-14M-XXXXZ</b>
<b>PRODUCT GROUP:</b>	TERMINALS
<b>SUB-GROUP:</b>	MILITARY INSULATED TERMINALS
<b>DESCRIPTION:</b>	PTFE INSULATED DOUBLE TURRET TERMINAL



PIN DIAMETER	OVERALL LENGTH	MOUNTING ORIENTATION	BOARD / PANEL MOUNTING METHOD
N/A	0.359"	VERTICAL	PRESS FIT
BOARD / PANEL THICKNESS	MOUNTING HOLE SIZE	DRILL SIZE	FEED THRU COMBINATION
UP TO 1/16"	0.136" ± 0.002	#29	N/A

**PART NO. STRUCTURE:\***

**1102** - **14M** - **XX** **XX**  
 PART SERIES    DIMENSION    FINISH    INSULATION COLOR

\*If applicable, "Z" at the end of a PART NO. STRUCTURE indicates TERMINAL MATERIAL TYPE.

**MATERIAL OPTIONS:**

**1102-14M-XXXXZ**

COMPONENT	MATERIAL	MATERIAL AND SPECIFICATION
<b>TERMINAL</b>	PHOSPHOR BRONZE	PHOSPHOR BRONZE PER ASTM B139, ALLOY C54400
<b>BASE/METAL SLEEVE</b>	N/A	N/A
<b>INSULATION*</b>	PTFE	PTFE PER ASTM D1710
<b>NUT</b>	N/A	N/A
<b>WASHER</b>	N/A	N/A

\*For Insulation color, please see INSULATION COLOR OPTIONS on Page 2

FINISH - PLATING OPTIONS:

1102-14M-XXXXZ

FINISH CODE	COMPONENT	FINISH	FINISH AND SPECIFICATION
05	TERMINAL	ELECTRO-SOLDER	0.000300"MIN. ELECTRO-SOLDER PER SAE-AMS-P-81728 OVER 0.000100"MIN. COPPER PER SAE-AMS-2418
	BASE/METAL SLEEVE	N/A	N/A
	NUT	N/A	N/A
	WASHER	N/A	N/A
088	TERMINAL	BRIGHT TIN-LEAD	0.000300"MIN. BRIGHT TIN-LEAD (Sn93%-Pb7%) PER ASTM B545 OVER 0.000100"MIN. COPPER PER SAE-AMS-2418
	BASE/METAL SLEEVE	N/A	N/A
	NUT	N/A	N/A
	WASHER	N/A	N/A
095	TERMINAL	HOT SOLDER DIP	0.000100"MIN. HOT SOLDER DIP USING Sn60 PER IPC-J-STD-006 OVER 0.000100"MIN. COPPER PER SAE-AMS-2418
	BASE/METAL SLEEVE	N/A	N/A
	NUT	N/A	N/A
	WASHER	N/A	N/A

INSULATION COLOR OPTIONS:

1102-14M-XXXXZ

INSULATION COLOR	BLACK	BLUE	BROWN	GRAY	GREEN	ORANGE	RED	VIOLET	WHITE	YELLOW
COLOR CODE NO.	10	16	11	18	15	13	12	17	19	14

TOLERANCES:\*

DECIMAL	FRACTIONAL	ANGULAR	DRAWING ORIGINATION DATE	LAST MODIFICATION DATE
± 0.015	N/A	± 3 °	9/12/1995	3/1/2017

\*All dimensions are in inches.

RoHS COMPLIANCE:

1102-14M-05XXZ

PART NUMBER	RoHS COMPLIANT
1102-14M-0510Z	NO
1102-14M-0511Z	NO
1102-14M-0512Z	NO
1102-14M-0513Z	NO
1102-14M-0514Z	NO
1102-14M-0515Z	NO
1102-14M-0516Z	NO
1102-14M-0517Z	NO
1102-14M-0518Z	NO
1102-14M-0519Z	NO

1102-14M-088XXZ

PART NUMBER	RoHS COMPLIANT
1102-14M-08810Z	NO
1102-14M-08811Z	NO
1102-14M-08812Z	NO
1102-14M-08813Z	NO
1102-14M-08814Z	NO
1102-14M-08815Z	NO
1102-14M-08816Z	NO
1102-14M-08817Z	NO
1102-14M-08818Z	NO
1102-14M-08819Z	NO

1102-14M-095XXZ

PART NUMBER	RoHS COMPLIANT
1102-14M-09510Z	NO
1102-14M-09511Z	NO
1102-14M-09512Z	NO
1102-14M-09513Z	NO
1102-14M-09514Z	NO
1102-14M-09515Z	NO
1102-14M-09516Z	NO
1102-14M-09517Z	NO
1102-14M-09518Z	NO
1102-14M-09519Z	NO

MILITARY REFERENCE SPECIFICATIONS:

1102-14M-05XXZ

PART NUMBER	MIL SPECIFICATION	MIL PART NUMBER	COMMERCIAL ITEM DESCRIPTION (CID) SPECIFICATION	CID PART NUMBER
1102-14M-0510Z	MIL-T-55155/07	M55155/070B01 (SE070B01Z)	A-A-59126/07	AA59126/070B01
1102-14M-0511Z	MIL-T-55155/07	M55155/071B01 (SE071B01Z)	A-A-59126/07	AA59126/071B01
1102-14M-0512Z	MIL-T-55155/07	M55155/072B01 (SE072B01Z)	A-A-59126/07	AA59126/072B01
1102-14M-0513Z	MIL-T-55155/07	M55155/073B01 (SE073B01Z)	A-A-59126/07	AA59126/073B01
1102-14M-0514Z	MIL-T-55155/07	M55155/074B01 (SE074B01Z)	A-A-59126/07	AA59126/074B01
1102-14M-0515Z	MIL-T-55155/07	M55155/075B01 (SE075B01Z)	A-A-59126/07	AA59126/075B01
1102-14M-0516Z	MIL-T-55155/07	M55155/076B01 (SE076B01Z)	A-A-59126/07	AA59126/076B01
1102-14M-0517Z	MIL-T-55155/07	M55155/077B01 (SE077B01Z)	A-A-59126/07	AA59126/077B01
1102-14M-0518Z	MIL-T-55155/07	M55155/078B01 (SE078B01Z)	A-A-59126/07	AA59126/078B01
1102-14M-0519Z	MIL-T-55155/07	M55155/079B01 (SE079B01Z)	A-A-59126/07	AA59126/079B01

1102-14M-088XXZ

PART NUMBER	MIL SPECIFICATION	MIL PART NUMBER	COMMERCIAL ITEM DESCRIPTION (CID) SPECIFICATION	CID PART NUMBER
1102-14M-08810Z	MIL-T-55155/07	M55155/070D01	A-A-59126/07	AA59126/070D01
1102-14M-08811Z	MIL-T-55155/07	M55155/071D01	A-A-59126/07	AA59126/071D01
1102-14M-08812Z	MIL-T-55155/07	M55155/072D01	A-A-59126/07	AA59126/072D01
1102-14M-08813Z	MIL-T-55155/07	M55155/073D01	A-A-59126/07	AA59126/073D01
1102-14M-08814Z	MIL-T-55155/07	M55155/074D01	A-A-59126/07	AA59126/074D01

Continued on next page...

MILITARY REFERENCE SPECIFICATIONS CONTINUED:

1102-14M-088XXZ

PART NUMBER	MIL SPECIFICATION	MIL PART NUMBER	COMMERCIAL ITEM DESCRIPTION (CID) SPECIFICATION	CID PART NUMBER
1102-14M-08815Z	MIL-T-55155/07	M55155/075D01	A-A-59126/07	AA59126/075D01
1102-14M-08816Z	MIL-T-55155/07	M55155/076D01	A-A-59126/07	AA59126/076D01
1102-14M-08817Z	MIL-T-55155/07	M55155/077D01	A-A-59126/07	AA59126/077D01
1102-14M-08818Z	MIL-T-55155/07	M55155/078D01	A-A-59126/07	AA59126/078D01
1102-14M-08819Z	MIL-T-55155/07	M55155/079D01	A-A-59126/07	AA59126/079D01

1102-14M-095XXZ

PART NUMBER	MIL SPECIFICATION	MIL PART NUMBER	COMMERCIAL ITEM DESCRIPTION (CID) SPECIFICATION	CID PART NUMBER
1102-14M-09510Z	MIL-T-55155/07	M55155/070C01	A-A-59126/07	AA59126/070C01
1102-14M-09511Z	MIL-T-55155/07	M55155/071C01	A-A-59126/07	AA59126/071C01
1102-14M-09512Z	MIL-T-55155/07	M55155/072C01	A-A-59126/07	AA59126/072C01
1102-14M-09513Z	MIL-T-55155/07	M55155/073C01	A-A-59126/07	AA59126/073C01
1102-14M-09514Z	MIL-T-55155/07	M55155/074C01	A-A-59126/07	AA59126/074C01
1102-14M-09515Z	MIL-T-55155/07	M55155/075C01	A-A-59126/07	AA59126/075C01
1102-14M-09516Z	MIL-T-55155/07	M55155/076C01	A-A-59126/07	AA59126/076C01
1102-14M-09517Z	MIL-T-55155/07	M55155/077C01	A-A-59126/07	AA59126/077C01
1102-14M-09518Z	MIL-T-55155/07	M55155/078C01	A-A-59126/07	AA59126/078C01
1102-14M-09519Z	MIL-T-55155/07	M55155/079C01	A-A-59126/07	AA59126/079C01

TOOLING:

INSTALLATION TOOL: ARBOR PRESS	INSTALLATION TOOL: ANVIL (ARBOR PRESS OPERATED)	INSTALLATION TOOL: PRESS-FIT / ROLL SWAGE / RIVET PUNCH (ARBOR PRESS OPERATED)	INSTALLATION TOOL: PRESS-FIT (HAND OPERATED)
TM1	TA1102-14	TPI1102-14	TTI1102-14

NOTES:

<b>DATASHEET NOTES</b>
------------------------

N/A

<b>INSTRUCTION NOTES</b>
--------------------------

SEE GENERAL PRESS FIT INSTALLATION INSTRUCTION ON CONCORD ELECTRONICS' WEBSITE [WWW.CONCORD-ELECTRONICS.COM](http://WWW.CONCORD-ELECTRONICS.COM).