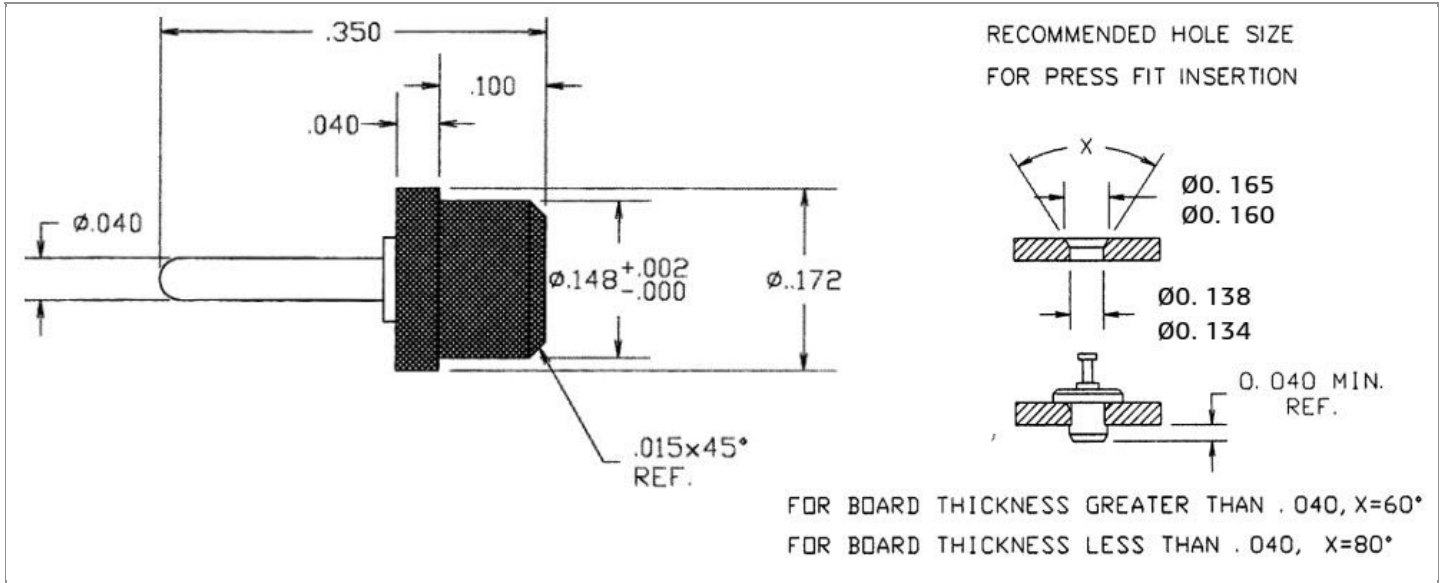


DRAWING NUMBER:	1100-28M-XXXX
PRODUCT GROUP:	TERMINALS
SUB-GROUP:	MILITARY INSULATED TERMINALS
DESCRIPTION:	PTFE INSULATED PIN TERMINAL



PIN DIAMETER	OVERALL LENGTH	MOUNTING ORIENTATION	BOARD / PANEL MOUNTING METHOD
0.040" ± 0.005	0.350"	VERTICAL	PRESS FIT

BOARD / PANEL THICKNESS	MOUNTING HOLE SIZE	DRILL SIZE	FEED THRU COMBINATION
UP TO 1/16"	0.136" ± 0.002	#29	N/A

PART NO. STRUCTURE:*

1100	-	28M	-	XX		XX
PART SERIES		DIMENSION		FINISH		INSULATION COLOR

*If applicable, "Z" at the end of a PART NO. STRUCTURE indicates TERMINAL MATERIAL TYPE.

MATERIAL OPTIONS:

1100-28M-XXXX

COMPONENT	MATERIAL	MATERIAL AND SPECIFICATION
TERMINAL	BRASS	BRASS PER ASTM B16, ALLOY C36000, 1/2 HARD
BASE/METAL SLEEVE	N/A	N/A
INSULATION*	PTFE	PTFE PER ASTM D1710
NUT	N/A	N/A
WASHER	N/A	N/A

*For Insulation color, please see INSULATION COLOR OPTIONS on Page 2

FINISH - PLATING OPTIONS:

1100-28M-XXXX

FINISH CODE	COMPONENT	FINISH	FINISH AND SPECIFICATION
05	TERMINAL	ELECTRO-SOLDER	0.000300"MIN. ELECTRO-SOLDER PER SAE-AMS-P-81728 OVER 0.000100"MIN. COPPER PER SAE-AMS-2418
	BASE/METAL SLEEVE	N/A	N/A
	NUT	N/A	N/A
	WASHER	N/A	N/A
088	TERMINAL	BRIGHT TIN-LEAD	0.000300"MIN. BRIGHT TIN-LEAD (Sn93%-Pb7%) PER ASTM B545 OVER 0.000100"MIN. COPPER PER SAE-AMS-2418
	BASE/METAL SLEEVE	N/A	N/A
	NUT	N/A	N/A
	WASHER	N/A	N/A
095	TERMINAL	HOT SOLDER DIP	0.000100"MIN. HOT SOLDER DIP USING Sn60 PER IPC-J-STD-006 OVER 0.000100"MIN. COPPER PER SAE-AMS-2418
	BASE/METAL SLEEVE	N/A	N/A
	NUT	N/A	N/A
	WASHER	N/A	N/A

INSULATION COLOR OPTIONS:

1100-28M-XXXX

INSULATION COLOR	BLACK	BLUE	BROWN	GRAY	GREEN	ORANGE	RED	VIOLET	WHITE	YELLOW
COLOR CODE NO.	10	16	11	18	15	13	12	17	19	14

TOLERANCES:*

DECIMAL	FRACTIONAL	ANGULAR	DRAWING ORIENTATION DATE	LAST MODIFICATION DATE
± 0.015	N/A	± 3 °	3/1/1996	3/1/2017

*All dimensions are in inches.

RoHS COMPLIANCE:

1100-28M-05XX

PART NUMBER	RoHS COMPLIANT
1100-28M-0510	NO
1100-28M-0511	NO
1100-28M-0512	NO
1100-28M-0513	NO
1100-28M-0514	NO
1100-28M-0515	NO
1100-28M-0516	NO
1100-28M-0517	NO
1100-28M-0518	NO
1100-28M-0519	NO

1100-28M-088XX

PART NUMBER	RoHS COMPLIANT
1100-28M-08810	NO
1100-28M-08811	NO
1100-28M-08812	NO
1100-28M-08813	NO
1100-28M-08814	NO
1100-28M-08815	NO
1100-28M-08816	NO
1100-28M-08817	NO
1100-28M-08818	NO
1100-28M-08819	NO

1100-28M-095XX

PART NUMBER	RoHS COMPLIANT
1100-28M-09510	NO
1100-28M-09511	NO
1100-28M-09512	NO
1100-28M-09513	NO
1100-28M-09514	NO
1100-28M-09515	NO
1100-28M-09516	NO
1100-28M-09517	NO
1100-28M-09518	NO
1100-28M-09519	NO

MILITARY REFERENCE SPECIFICATIONS:

1100-28M-05XX

PART NUMBER	MIL SPECIFICATION	MIL PART NUMBER	COMMERCIAL ITEM DESCRIPTION (CID) SPECIFICATION	CID PART NUMBER
1100-28M-0510	MIL-T-55155/08	M55155/080H01 (SE080B01S)	A-A-59126/08	AA59126/080H01
1100-28M-0511	MIL-T-55155/08	M55155/081H01 (SE081B01S)	A-A-59126/08	AA59126/081H01
1100-28M-0512	MIL-T-55155/08	M55155/082H01 (SE082B01S)	A-A-59126/08	AA59126/082H01
1100-28M-0513	MIL-T-55155/08	M55155/083H01 (SE083B01S)	A-A-59126/08	AA59126/083H01
1100-28M-0514	MIL-T-55155/08	M55155/084H01 (SE084B01S)	A-A-59126/08	AA59126/084H01
1100-28M-0515	MIL-T-55155/08	M55155/085H01 (SE085B01S)	A-A-59126/08	AA59126/085H01
1100-28M-0516	MIL-T-55155/08	M55155/086H01 (SE086B01S)	A-A-59126/08	AA59126/086H01
1100-28M-0517	MIL-T-55155/08	M55155/087H01 (SE087B01S)	A-A-59126/08	AA59126/087H01
1100-28M-0518	MIL-T-55155/08	M55155/088H01 (SE088B01S)	A-A-59126/08	AA59126/088H01
1100-28M-0519	MIL-T-55155/08	M55155/089H01 (SE089B01S)	A-A-59126/08	AA59126/089H01

1100-28M-088XX

PART NUMBER	MIL SPECIFICATION	MIL PART NUMBER	COMMERCIAL ITEM DESCRIPTION (CID) SPECIFICATION	CID PART NUMBER
1100-28M-08810	MIL-T-55155/08	M55155/080J01	A-A-59126/08	AA59126/080J01 (AA59126/08001)
1100-28M-08811	MIL-T-55155/08	M55155/081J01	A-A-59126/08	AA59126/081J01 (AA59126/08101)
1100-28M-08812	MIL-T-55155/08	M55155/082J01	A-A-59126/08	AA59126/082J01 (AA59126/08201)
1100-28M-08813	MIL-T-55155/08	M55155/083J01	A-A-59126/08	AA59126/083J01 (AA59126/08301)
1100-28M-08814	MIL-T-55155/08	M55155/084J01	A-A-59126/08	AA59126/084J01 (AA59126/08401)

Continued on next page...

MILITARY REFERENCE SPECIFICATIONS CONTINUED:

1100-28M-088XX

PART NUMBER	MIL SPECIFICATION	MIL PART NUMBER	COMMERCIAL ITEM DESCRIPTION (CID) SPECIFICATION	CID PART NUMBER
1100-28M-08815	MIL-T-55155/08	M55155/085J01	A-A-59126/08	AA59126/085J01 (AA59126/08501)
1100-28M-08816	MIL-T-55155/08	M55155/086J01	A-A-59126/08	AA59126/086J01 (AA59126/08601)
1100-28M-08817	MIL-T-55155/08	M55155/087J01	A-A-59126/08	AA59126/087J01 (AA59126/08701)
1100-28M-08818	MIL-T-55155/08	M55155/088J01	A-A-59126/08	AA59126/088J01 (AA59126/08801)
1100-28M-08819	MIL-T-55155/08	M55155/089J01	A-A-59126/08	AA59126/089J01 (AA59126/08901)

1100-28M-095XX

PART NUMBER	MIL SPECIFICATION	MIL PART NUMBER	COMMERCIAL ITEM DESCRIPTION (CID) SPECIFICATION	CID PART NUMBER
1100-28M-09510	MIL-T-55155/08	M55155/080I01	A-A-59126/08	AA59126/080I01
1100-28M-09511	MIL-T-55155/08	M55155/081I01	A-A-59126/08	AA59126/081I01
1100-28M-09512	MIL-T-55155/08	M55155/082I01	A-A-59126/08	AA59126/082I01
1100-28M-09513	MIL-T-55155/08	M55155/083I01	A-A-59126/08	AA59126/083I01
1100-28M-09514	MIL-T-55155/08	M55155/084I01	A-A-59126/08	AA59126/084I01
1100-28M-09515	MIL-T-55155/08	M55155/085I01	A-A-59126/08	AA59126/085I01
1100-28M-09516	MIL-T-55155/08	M55155/086I01	A-A-59126/08	AA59126/086I01
1100-28M-09517	MIL-T-55155/08	M55155/087I01	A-A-59126/08	AA59126/087I01
1100-28M-09518	MIL-T-55155/08	M55155/088I01	A-A-59126/08	AA59126/088I01
1100-28M-09519	MIL-T-55155/08	M55155/089I01	A-A-59126/08	AA59126/089I01

TOOLING:

INSTALLATION TOOL: ARBOR PRESS	INSTALLATION TOOL: ANVIL (ARBOR PRESS OPERATED)	INSTALLATION TOOL: PRESS-FIT / ROLL SWAGE / RIVET PUNCH (ARBOR PRESS OPERATED)	INSTALLATION TOOL: PRESS-FIT (HAND OPERATED)
TM1	TA1100-28	TPI1100-28	TTI1100-28

NOTES:

DATASHEET NOTES

N/A

INSTRUCTION NOTES

SEE GENERAL PRESS FIT INSTALLATION INSTRUCTION ON CONCORD ELECTRONICS' WEBSITE WWW.CONCORD-ELECTRONICS.COM.