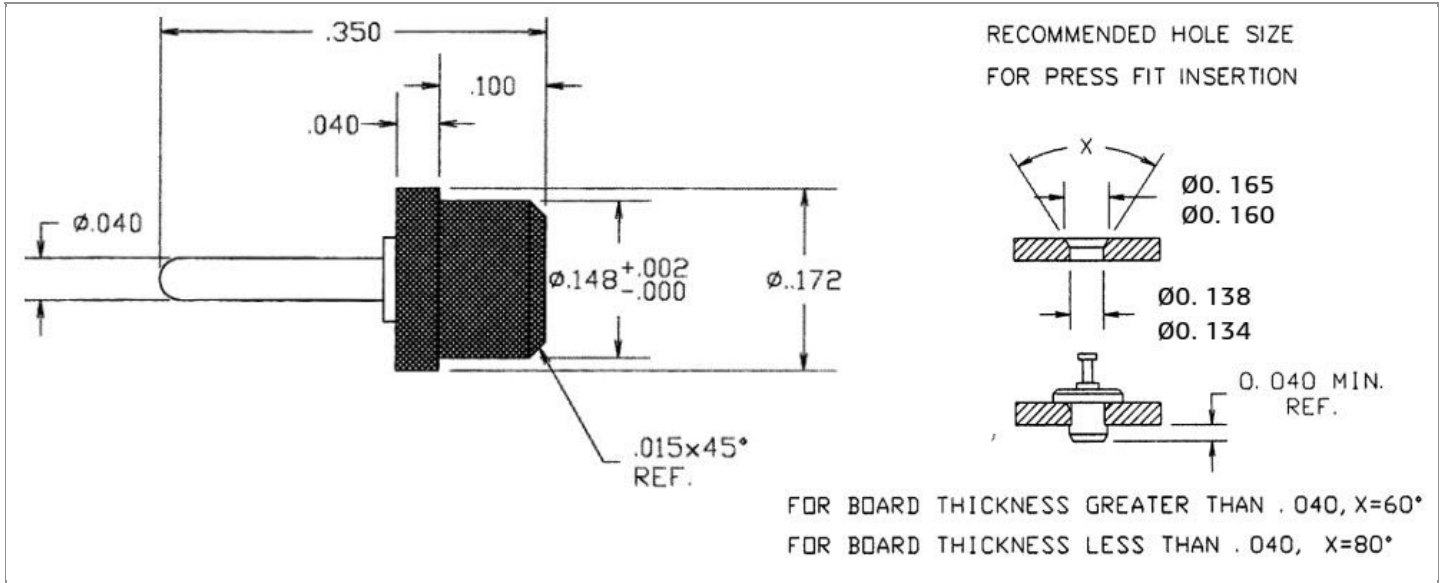


DRAWING NUMBER:	1100-28M-XXXXZ
PRODUCT GROUP:	TERMINALS
SUB-GROUP:	MILITARY INSULATED TERMINALS
DESCRIPTION:	PTFE INSULATED PIN TERMINAL



PIN DIAMETER	OVERALL LENGTH	MOUNTING ORIENTATION	BOARD / PANEL MOUNTING METHOD
0.040" ± 0.005	0.350"	VERTICAL	PRESS FIT

BOARD / PANEL THICKNESS	MOUNTING HOLE SIZE	DRILL SIZE	FEED THRU COMBINATION
UP TO 1/16"	0.136" ± 0.002	#29	N/A

PART NO. STRUCTURE:*

1100	-	28M	-	XX		XX
PART SERIES		DIMENSION		FINISH		INSULATION COLOR

*If applicable, "Z" at the end of a PART NO. STRUCTURE indicates TERMINAL MATERIAL TYPE.

MATERIAL OPTIONS:

1100-28M-XXXXZ

COMPONENT	MATERIAL	MATERIAL AND SPECIFICATION
TERMINAL	PHOSPHOR BRONZE	PHOSPHOR BRONZE PER ASTM B139, ALLOY C54400
BASE/METAL SLEEVE	N/A	N/A
INSULATION*	PTFE	PTFE PER ASTM D1710
NUT	N/A	N/A
WASHER	N/A	N/A

*For Insulation color, please see INSULATION COLOR OPTIONS on Page 2

FINISH - PLATING OPTIONS:

1100-28M-XXXXZ

FINISH CODE	COMPONENT	FINISH	FINISH AND SPECIFICATION
05	TERMINAL	ELECTRO-SOLDER	0.000300"MIN. ELECTRO-SOLDER PER SAE-AMS-P-81728 OVER 0.000100"MIN. COPPER PER SAE-AMS-2418
	BASE/METAL SLEEVE	N/A	N/A
	NUT	N/A	N/A
	WASHER	N/A	N/A
088	TERMINAL	BRIGHT TIN-LEAD	0.000300"MIN. BRIGHT TIN-LEAD (Sn93%-Pb7%) PER ASTM B545 OVER 0.000100"MIN. COPPER PER SAE-AMS-2418
	BASE/METAL SLEEVE	N/A	N/A
	NUT	N/A	N/A
	WASHER	N/A	N/A
095	TERMINAL	HOT SOLDER DIP	0.000100"MIN. HOT SOLDER DIP USING Sn60 PER IPC-J-STD-006 OVER 0.000100"MIN. COPPER PER SAE-AMS-2418
	BASE/METAL SLEEVE	N/A	N/A
	NUT	N/A	N/A
	WASHER	N/A	N/A

INSULATION COLOR OPTIONS:

1100-28M-XXXXZ

INSULATION COLOR	BLACK	BLUE	BROWN	GRAY	GREEN	ORANGE	RED	VIOLET	WHITE	YELLOW
COLOR CODE NO.	10	16	11	18	15	13	12	17	19	14

TOLERANCES:*

DECIMAL	FRACTIONAL	ANGULAR	DRAWING ORIENTATION DATE	LAST MODIFICATION DATE
± 0.015	N/A	± 3 °	3/1/1996	3/1/2017

*All dimensions are in inches.

RoHS COMPLIANCE:

1100-28M-05XXZ

PART NUMBER	RoHS COMPLIANT
1100-28M-0510Z	NO
1100-28M-0511Z	NO
1100-28M-0512Z	NO
1100-28M-0513Z	NO
1100-28M-0514Z	NO
1100-28M-0515Z	NO
1100-28M-0516Z	NO
1100-28M-0517Z	NO
1100-28M-0518Z	NO
1100-28M-0519Z	NO

1100-28M-088XXZ

PART NUMBER	RoHS COMPLIANT
1100-28M-08810Z	NO
1100-28M-08811Z	NO
1100-28M-08812Z	NO
1100-28M-08813Z	NO
1100-28M-08814Z	NO
1100-28M-08815Z	NO
1100-28M-08816Z	NO
1100-28M-08817Z	NO
1100-28M-08818Z	NO
1100-28M-08819Z	NO

1100-28M-095XXZ

PART NUMBER	RoHS COMPLIANT
1100-28M-09510Z	NO
1100-28M-09511Z	NO
1100-28M-09512Z	NO
1100-28M-09513Z	NO
1100-28M-09514Z	NO
1100-28M-09515Z	NO
1100-28M-09516Z	NO
1100-28M-09517Z	NO
1100-28M-09518Z	NO
1100-28M-09519Z	NO

MILITARY REFERENCE SPECIFICATIONS:

1100-28M-05XXZ

PART NUMBER	MIL SPECIFICATION	MIL PART NUMBER	COMMERCIAL ITEM DESCRIPTION (CID) SPECIFICATION	CID PART NUMBER
1100-28M-0510Z	MIL-T-55155/08	M55155/080B01 (SE080B01Z)	A-A-59126/08	AA59126/080B01
1100-28M-0511Z	MIL-T-55155/08	M55155/081B01 (SE081B01Z)	A-A-59126/08	AA59126/081B01
1100-28M-0512Z	MIL-T-55155/08	M55155/082B01 (SE082B01Z)	A-A-59126/08	AA59126/082B01
1100-28M-0513Z	MIL-T-55155/08	M55155/083B01 (SE083B01Z)	A-A-59126/08	AA59126/083B01
1100-28M-0514Z	MIL-T-55155/08	M55155/084B01 (SE084B01Z)	A-A-59126/08	AA59126/084B01
1100-28M-0515Z	MIL-T-55155/08	M55155/085B01 (SE085B01Z)	A-A-59126/08	AA59126/085B01
1100-28M-0516Z	MIL-T-55155/08	M55155/086B01 (SE086B01Z)	A-A-59126/08	AA59126/086B01
1100-28M-0517Z	MIL-T-55155/08	M55155/087B01 (SE087B01Z)	A-A-59126/08	AA59126/087B01
1100-28M-0518Z	MIL-T-55155/08	M55155/088B01 (SE088B01Z)	A-A-59126/08	AA59126/088B01
1100-28M-0519Z	MIL-T-55155/08	M55155/089B01 (SE089B01Z)	A-A-59126/08	AA59126/089B01

1100-28M-088XXZ

PART NUMBER	MIL SPECIFICATION	MIL PART NUMBER	COMMERCIAL ITEM DESCRIPTION (CID) SPECIFICATION	CID PART NUMBER
1100-28M-08810Z	MIL-T-55155/08	M55155/080D01	A-A-59126/08	AA59126/080D01
1100-28M-08811Z	MIL-T-55155/08	M55155/081D01	A-A-59126/08	AA59126/081D01
1100-28M-08812Z	MIL-T-55155/08	M55155/082D01	A-A-59126/08	AA59126/082D01
1100-28M-08813Z	MIL-T-55155/08	M55155/083D01	A-A-59126/08	AA59126/083D01
1100-28M-08814Z	MIL-T-55155/08	M55155/084D01	A-A-59126/08	AA59126/084D01

Continued on next page...

MILITARY REFERENCE SPECIFICATIONS CONTINUED:

1100-28M-088XXZ

PART NUMBER	MIL SPECIFICATION	MIL PART NUMBER	COMMERCIAL ITEM DESCRIPTION (CID) SPECIFICATION	CID PART NUMBER
1100-28M-08815Z	MIL-T-55155/08	M55155/085D01	A-A-59126/08	AA59126/085D01
1100-28M-08816Z	MIL-T-55155/08	M55155/086D01	A-A-59126/08	AA59126/086D01
1100-28M-08817Z	MIL-T-55155/08	M55155/087D01	A-A-59126/08	AA59126/087D01
1100-28M-08818Z	MIL-T-55155/08	M55155/088D01	A-A-59126/08	AA59126/088D01
1100-28M-08819Z	MIL-T-55155/08	M55155/089D01	A-A-59126/08	AA59126/089D01

1100-28M-095XXZ

PART NUMBER	MIL SPECIFICATION	MIL PART NUMBER	COMMERCIAL ITEM DESCRIPTION (CID) SPECIFICATION	CID PART NUMBER
1100-28M-09510Z	MIL-T-55155/08	M55155/080C01	A-A-59126/08	AA59126/080C01
1100-28M-09511Z	MIL-T-55155/08	M55155/081C01	A-A-59126/08	AA59126/081C01
1100-28M-09512Z	MIL-T-55155/08	M55155/082C01	A-A-59126/08	AA59126/082C01
1100-28M-09513Z	MIL-T-55155/08	M55155/083C01	A-A-59126/08	AA59126/083C01
1100-28M-09514Z	MIL-T-55155/08	M55155/084C01	A-A-59126/08	AA59126/084C01
1100-28M-09515Z	MIL-T-55155/08	M55155/085C01	A-A-59126/08	AA59126/085C01
1100-28M-09516Z	MIL-T-55155/08	M55155/086C01	A-A-59126/08	AA59126/086C01
1100-28M-09517Z	MIL-T-55155/08	M55155/087C01	A-A-59126/08	AA59126/087C01
1100-28M-09518Z	MIL-T-55155/08	M55155/088C01	A-A-59126/08	AA59126/088C01
1100-28M-09519Z	MIL-T-55155/08	M55155/089C01	A-A-59126/08	AA59126/089C01

TOOLING:

INSTALLATION TOOL: ARBOR PRESS	INSTALLATION TOOL: ANVIL (ARBOR PRESS OPERATED)	INSTALLATION TOOL: PRESS-FIT / ROLL SWAGE / RIVET PUNCH (ARBOR PRESS OPERATED)	INSTALLATION TOOL: PRESS-FIT (HAND OPERATED)
TM1	TA1100-28	TPI1100-28	TTI1100-28

NOTES:

DATASHEET NOTES

N/A

INSTRUCTION NOTES

SEE GENERAL PRESS FIT INSTALLATION INSTRUCTION ON CONCORD ELECTRONICS' WEBSITE WWW.CONCORD-ELECTRONICS.COM.