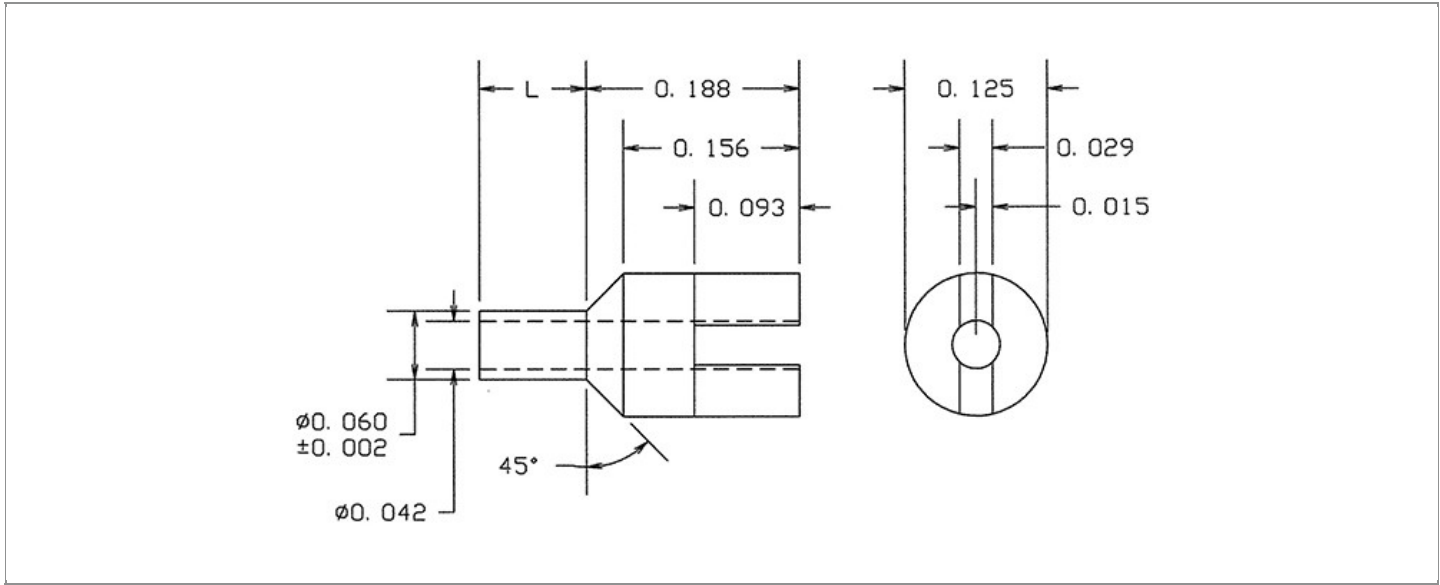


DRAWING NUMBER:	15-903-X-XX
PRODUCT GROUP:	TERMINALS
SUB-GROUP:	MILITARY NON-INSULATED TERMINALS
DESCRIPTION:	NON-INSULATED THRU-HOLE SLOTTED TERMINAL



BOARD / PANEL MOUNTING METHOD	MOUNTING HOLE SIZE	DRILL SIZE	FEED THRU COMBINATION
SWAGE MOUNT	0.0635" ± 0.001	#52	N/A

PART NO. STRUCTURE:

15-903	-	X	-	XX
PART SERIES		DIMENSION		FINISH

MATERIAL OPTIONS:

15-903-X-XX

COMPONENT	MATERIAL	MATERIAL AND SPECIFICATION
TERMINAL	BRASS	BRASS PER ASTM B16, ALLOY C36000, 1/2 HARD

DIMENSION OPTIONS:

15-903-X-XX

DIMENSION	K	OVERALL LENGTH	SHANK LENGTH (L)	BOARD/PANEL THICKNESS
1	N/A	0.250"	0.062"	1/32"
2	N/A	0.282"	0.094"	1/16"
3	N/A	0.313"	0.125"	3/32"
4	N/A	0.344"	0.156"	1/8"

FINISH - PLATING OPTIONS:

15-903-X-**XX**

FINISH CODE	COMPONENT	FINISH	FINISH AND SPECIFICATION
05	TERMINAL	ELECTRO-SOLDER	0.000300"MIN. ELECTRO-SOLDER PER SAE-AMS-P-81728 OVER 0.000100"MIN. COPPER PER SAE-AMS-2418
088	TERMINAL	BRIGHT TIN-LEAD	0.000300"MIN. BRIGHT TIN-LEAD (Sn93%-Pb7%) PER ASTM B545 OVER 0.000100"MIN. COPPER PER SAE-AMS-2418
095	TERMINAL	HOT SOLDER DIP	0.000100"MIN. HOT SOLDER DIP USING Sn60 PER IPC-J-STD-006 OVER 0.000100"MIN. COPPER PER SAE-AMS-2418

TOLERANCES:*

DECIMAL	FRACTIONAL	ANGULAR	DRAWING ORIGATION DATE	LAST MODIFICATION DATE
± 0.005	± 1/64	± 3 °	12/6/1997	3/1/2017

*All dimensions are in inches.

RoHS COMPLIANCE:

15-903-1-XX

PART NUMBER	RoHS COMPLIANT
15-903-1-05	NO
15-903-1-088	NO
15-903-1-095	NO

15-903-2-XX

PART NUMBER	RoHS COMPLIANT
15-903-2-05	NO
15-903-2-088	NO
15-903-2-095	NO

15-903-3-XX

PART NUMBER	RoHS COMPLIANT
15-903-3-05	NO
15-903-3-088	NO
15-903-3-095	NO

15-903-4-XX

PART NUMBER	RoHS COMPLIANT
15-903-4-05	NO
15-903-4-088	NO
15-903-4-095	NO

MILITARY REFERENCE SPECIFICATIONS:

15-903-1-XX

PART NUMBER	MIL SPECIFICATION	MIL PART NUMBER	COMMERCIAL ITEM DESCRIPTION (CID) SPECIFICATION	CID PART NUMBER
15-903-1-05	MIL-T-55155/24	M55155/24XH01 (M55155/24-1S; SE24XC01S)	A-A-59126/24	AA59126/24XH01
15-903-1-088	MIL-T-55155/24	M55155/24XJ01	A-A-59126/24	AA59126/24XJ01 (AA59126/2401)
15-903-1-095	MIL-T-55155/24	M55155/24XI01	A-A-59126/24	AA59126/24XI01

Continued on next page...

MILITARY REFERENCE SPECIFICATIONS CONTINUED:

15-903-2-XX

PART NUMBER	MIL SPECIFICATION	MIL PART NUMBER	COMMERCIAL ITEM DESCRIPTION (CID) SPECIFICATION	CID PART NUMBER
15-903-2-05	MIL-T-55155/24	M55155/24XH02 (M55155/24-2S; SE24XC02S)	A-A-59126/24	AA59126/24XH02
15-903-2-088	MIL-T-55155/24	M55155/24XJ02	A-A-59126/24	AA59126/24XJ02 (AA59126/2402)
15-903-2-095	MIL-T-55155/24	M55155/24XI02	A-A-59126/24	AA59126/24XI02

15-903-3-XX

PART NUMBER	MIL SPECIFICATION	MIL PART NUMBER	COMMERCIAL ITEM DESCRIPTION (CID) SPECIFICATION	CID PART NUMBER
15-903-3-05	MIL-T-55155/24	M55155/24XH03 (M55155/24-3S; SE24XC03S)	A-A-59126/24	AA59126/24XH03
15-903-3-088	MIL-T-55155/24	M55155/24XJ03	A-A-59126/24	AA59126/24XJ03 (AA59126/2403)
15-903-3-095	MIL-T-55155/24	M55155/24XI03	A-A-59126/24	AA59126/24XI03

15-903-4-XX

PART NUMBER	MIL SPECIFICATION	MIL PART NUMBER	COMMERCIAL ITEM DESCRIPTION (CID) SPECIFICATION	CID PART NUMBER
15-903-4-05	MIL-T-55155/24	M55155/24XH04 (M55155/24-4S; SE24XC04S)	A-A-59126/24	AA59126/24XH04
15-903-4-088	MIL-T-55155/24	M55155/24XJ04	A-A-59126/24	AA59126/24XJ04 (AA59126/2404)
15-903-4-095	MIL-T-55155/24	M55155/24XI04	A-A-59126/24	AA59126/24XI04

TOOLING:

INSTALLATION TOOL: ARBOR PRESS	INSTALLATION TOOL: ANVIL (ARBOR PRESS OPERATED)	INSTALLATION TOOL: PRESS-FIT / ROLL SWAGE / RIVET PUNCH (ARBOR PRESS OPERATED)	INSTALLATION TOOL: FLARE SWAGE PUNCH (ARBOR PRESS OPERATED)
TM1	TA10-903	TP62-44	TFLP90-150

NOTES:

DATASHEET NOTES
N/A
INSTRUCTION NOTES
SEE GENERAL SWAGING INSTALLATION INSTRUCTION ON CONCORD ELECTRONICS' WEBSITE WWW.CONCORD-ELECTRONICS.COM