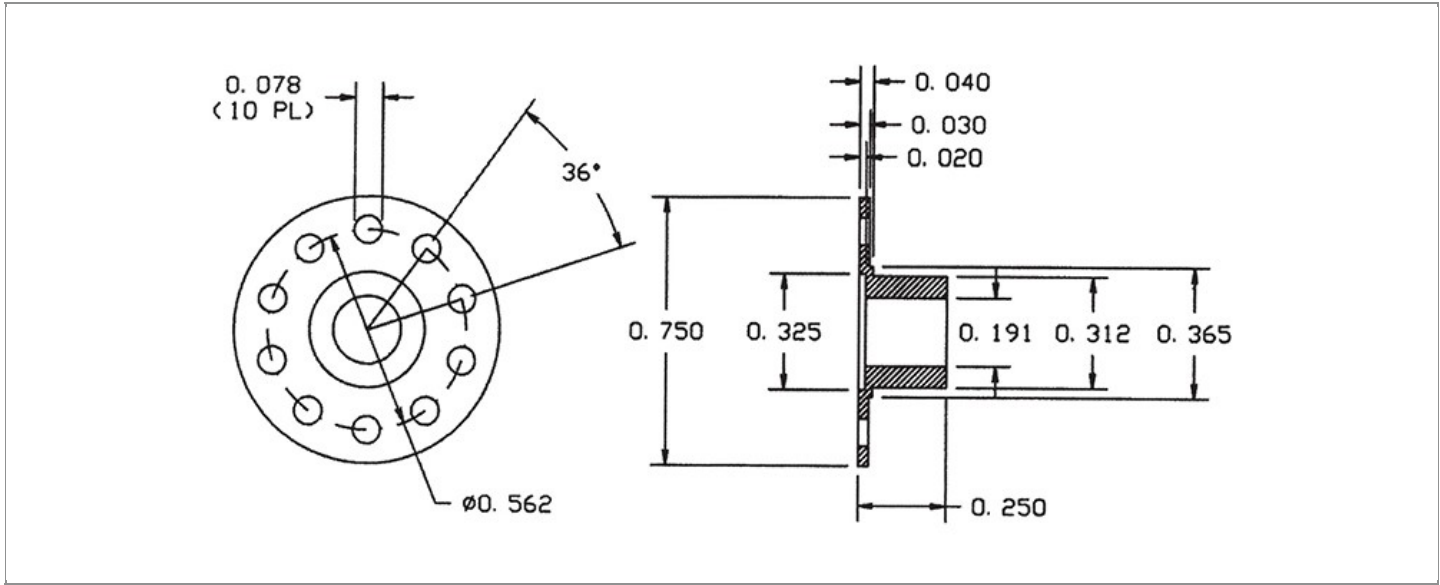


DRAWING NUMBER:	09-0017-1M-XX
PRODUCT GROUP:	TERMINALS
SUB-GROUP:	MILITARY NON-INSULATED TERMINALS
DESCRIPTION:	NON-INSULATED GROUNDING TERMINAL



BOARD / PANEL MOUNTING METHOD	MOUNTING HOLE SIZE	DRILL SIZE	FEED THRU COMBINATION
THREAD MOUNT (8-32 SCREW)	CLEARANCE FOR #8 SCREW	#18	N/A

PART NO. STRUCTURE:

09-0017	-	1M	-	XX
PART SERIES		DIMENSION		FINISH

MATERIAL OPTIONS:

09-0017-1M-XX

COMPONENT	MATERIAL	MATERIAL AND SPECIFICATION
TERMINAL	BRASS	BRASS PER ASTM B16, ALLOY C36000, 1/2 HARD

DIMENSION OPTIONS:

09-0017-1M-XX

DIMENSION	K	OVERALL LENGTH	SHANK LENGTH (L)	BOARD/PANEL THICKNESS
1M	N/A	0.250"	N/A	N/A

FINISH - PLATING OPTIONS:

09-0017-1M-XX

FINISH CODE	COMPONENT	FINISH	FINISH AND SPECIFICATION
05	TERMINAL	ELECTRO-SOLDER	0.000300"MIN. ELECTRO-SOLDER PER SAE-AMS-P-81728 OVER 0.000100"MIN. COPPER PER SAE-AMS-2418
088	TERMINAL	BRIGHT TIN-LEAD	0.000300"MIN. BRIGHT TIN-LEAD (Sn93%-Pb7%) PER ASTM B545 OVER 0.000100"MIN. COPPER PER SAE-AMS-2418
095	TERMINAL	HOT SOLDER DIP	0.000100"MIN. HOT SOLDER DIP USING Sn60 PER IPC-J-STD-006 OVER 0.000100"MIN. COPPER PER SAE-AMS-2418

TOLERANCES:*

DECIMAL	FRACTIONAL	ANGULAR	DRAWING ORIGATION DATE	LAST MODIFICATION DATE
± 0.005	N/A	± 1/2 °	11/11/1996	3/1/2017

*All dimensions are in inches.

RoHS COMPLIANCE:

09-0017-1M-XX

PART NUMBER	RoHS COMPLIANT
09-0017-1M-05	NO
09-0017-1M-088	NO
09-0017-1M-095	NO

MILITARY REFERENCE SPECIFICATIONS:

09-0017-1M-XX

PART NUMBER	MIL SPECIFICATION	MIL PART NUMBER	COMMERCIAL ITEM DESCRIPTION (CID) SPECIFICATION	CID PART NUMBER
09-0017-1M-05	MIL-T-55155/26	M55155/26XH02 (M55155/26-2S; SE26XF02S)	A-A-59126/26	AA59126/26XH02
09-0017-1M-088	MIL-T-55155/26	M55155/26XJ02	A-A-59126/26	AA59126/26XJ02 (AA59126/2602)
09-0017-1M-095	MIL-T-55155/26	M55155/26XI02	A-A-59126/26	AA59126/26II02

TOOLING:

INSTALLATION TOOL: ARBOR PRESS	INSTALLATION TOOL: ANVIL (ARBOR PRESS OPERATED)	INSTALLATION TOOL: PRESS-FIT / ROLL SWAGE / RIVET PUNCH (ARBOR PRESS OPERATED)	INSTALLATION TOOL: FLARE SWAGE PUNCH (ARBOR PRESS OPERATED)
N/A	N/A	N/A	N/A

NOTES:

DATASHEET NOTES

SCREW IS NOT INCLUDED.

INSTRUCTION NOTES

N/A
