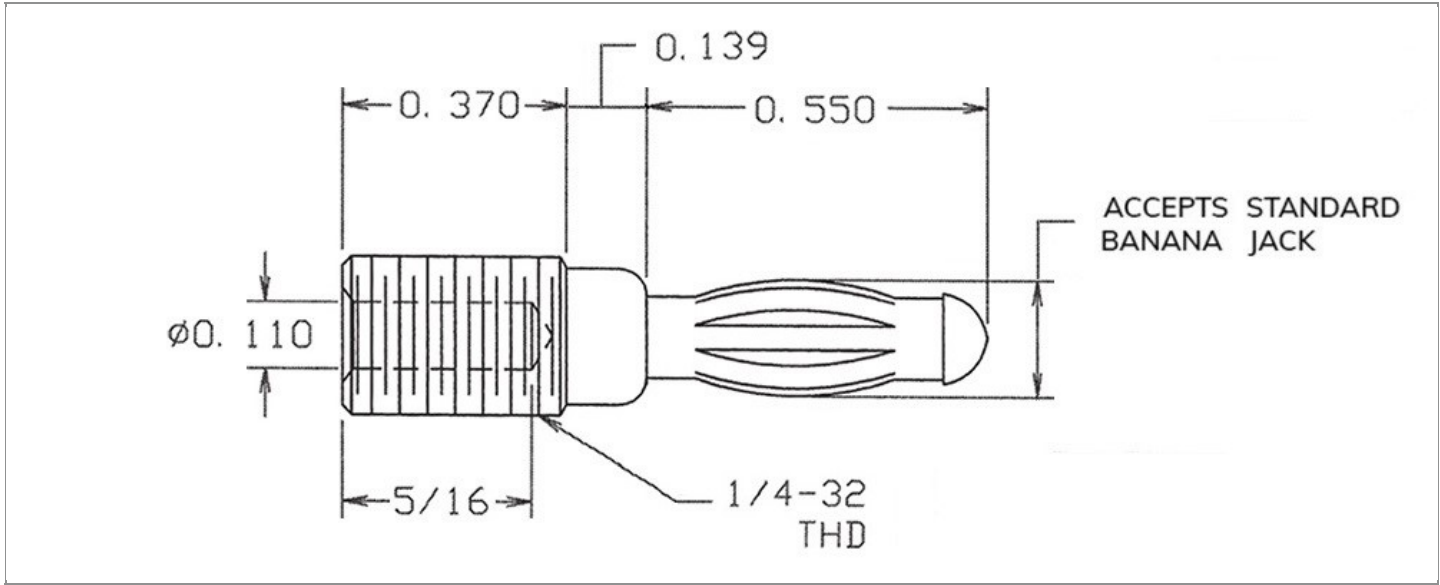


DRAWING NUMBER:	01-2344-X-XX
PRODUCT GROUP:	BANANA PLUGS, JACKS AND PHONE TIPS
SUB-GROUP:	NON-INSULATED BANANA PLUGS
DESCRIPTION:	NON-INSULATED STANDARD BANANA PLUG



ACCEPTS PIN / PLUG / JACK SIZE	BOARD / PANEL MOUNTING METHOD	MOUNTING HOLE SIZE	DRILL SIZE
STANDARD BANANA JACK	THREAD MOUNT (1/4-32)	1/4-32 THREAD	N/A

PART NO. STRUCTURE:

01-2344 - 1 - XX
PART SERIES DIMENSION FINISH

MATERIAL OPTIONS:

01-2344-1-XX

COMPONENT	MATERIAL	MATERIAL AND SPECIFICATION
BODY	BRASS	BRASS PER ASTM B16, ALLOY C36000, 1/2 HARD
SPRING (CAGE)	BERYLLIUM COPPER	BERYLLIUM COPPER PER ASTM B194, ALLOY C17200
NUT	N/A	N/A
SCREW	N/A	N/A
STUD	N/A	N/A
LUG	N/A	N/A

DIMENSION OPTIONS:

01-2344-1-XX

DIMENSION	SHANK LENGTH (L)	BOARD/PANEL THICKNESS
1	0.370"	UP TO 1/4"

FINISH - PLATING OPTIONS:

01-2344-1-XX

FINISH CODE	COMPONENT	FINISH	FINISH AND SPECIFICATION
01	BODY	SILVER	0.000100"MIN. SILVER PER ASTM B700, TYPE 2, GRADE D WITH A NON-CHROMATE PRESERVATIVE TREATMENT
	SPRING (CAGE)	SILVER	0.000300"MIN. SILVER PER ASTM B700, TYPE 2, GRADE D WITH A NON-CHROMATE PRESERVATIVE TREATMENT
	NUT	N/A	N/A
	SCREW	N/A	N/A
	STUD	N/A	N/A
	LUG	N/A	N/A
02	BODY	NICKEL	0.000100"MIN. NICKEL PER SAE-AMS-QQ-N-290
	SPRING (CAGE)	NICKEL	0.000200"MIN. NICKEL PER SAE-AMS-QQ-N-290
	NUT	N/A	N/A
	SCREW	N/A	N/A
	STUD	N/A	N/A
	LUG	N/A	N/A
03	BODY	GOLD	GOLD FLASH PER ASTM B488, TYPE II, CODE C
	SPRING (CAGE)	GOLD	0.000010"MIN. GOLD PER ASTM B488, TYPE II, CODE C
	NUT	N/A	N/A
	SCREW	N/A	N/A
	STUD	N/A	N/A
	LUG	N/A	N/A

Continued on next page...

FINISH - PLATING OPTIONS CONTINUED:

01-2344-1-XX

FINISH CODE	COMPONENT	FINISH	FINISH AND SPECIFICATION
044	BODY	BRIGHT ELECTRO-TIN	0.000200"MIN. BRIGHT ELECTRO-TIN PER ASTM B545
	SPRING (CAGE)	BRIGHT ELECTRO-TIN	0.000200"MIN. BRIGHT ELECTRO-TIN PER ASTM B545
	NUT	N/A	N/A
	SCREW	N/A	N/A
	STUD	N/A	N/A
	LUG	N/A	N/A

TOLERANCES:*

DECIMAL	FRACTIONAL	ANGULAR	DRAWING ORIGATION DATE	LAST MODIFICATION DATE
± 0.005	± 1/64	± 5°	1/28/2003	4/1/2017

*All dimensions are in inches.

RoHS COMPLIANCE:

01-2344-1-XX

PART NUMBER	RoHS COMPLIANT
01-2344-1-01	YES
01-2344-1-02	YES
01-2344-1-03	YES
01-2344-1-044	YES

TOOLING:

INSTALLATION TOOL: ARBOR PRESS	INSTALLATION TOOL: ANVIL (ARBOR PRESS OPERATED)	INSTALLATION TOOL: PRESS-FIT / ROLL SWAGE / RIVET PUNCH (ARBOR PRESS OPERATED)
N/A	N/A	N/A

NOTES:

DATASHEET NOTES
STANDARD SIZE SPRING FOR STANDARD SIZE BANANA JACK.

INSTRUCTION NOTES
N/A