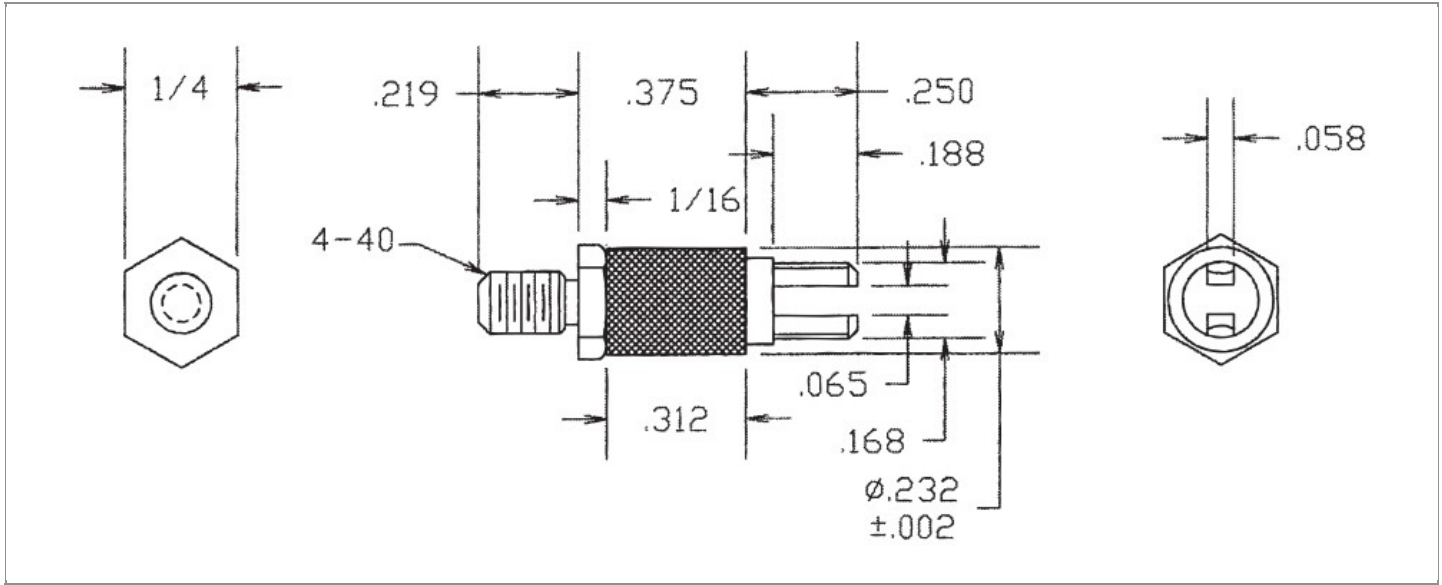


<b>DRAWING NUMBER:</b>	1127-70-XXXX
<b>PRODUCT GROUP:</b>	TERMINALS
<b>SUB-GROUP:</b>	COMMERCIAL INSULATED TERMINALS
<b>DESCRIPTION:</b>	DIALLYL PHTHALATE INSULATED SLOTTED TERMINAL



OVERALL LENGTH	PIN DIAMETER	FEED THRU COMBINATION	BOARD / PANEL MOUNTING METHOD
0.844"	N/A	N/A	THREAD MOUNT (4-40 NUT)
SHANK LENGTH (L)	BOARD / PANEL THICKNESS	MOUNTING HOLE SIZE	DRILL SIZE
N/A	UP TO 3/32"	0.120" ± 0.002	#31

**PART NO. STRUCTURE:**

1127	-	70	-	XX	XX
PART SERIES		DIMENSION		FINISH	INSULATION COLOR

**MATERIAL OPTIONS:**

**1127-70-XXXX**

COMPONENT	MATERIAL	MATERIAL AND SPECIFICATION
TERMINAL	BRASS	BRASS PER ASTM B16, ALLOY C36000, 1/2 HARD
BASE/METAL SLEEVE	BRASS	BRASS PER ASTM B16, ALLOY C36000, 1/2 HARD
INSULATION*	DIALLYL PHTHALATE	MOLDED DIALLYL PHTHALATE, TYPE SDG-F PER ASTM D5948
NUT	N/A	N/A
WASHER	N/A	N/A

\*For Insulation color, please see INSULATION COLOR OPTIONS on Page 3

## FINISH - PLATING OPTIONS:

1127-70-XXXX

FINISH CODE	COMPONENT	FINISH	FINISH AND SPECIFICATION
01	TERMINAL	SILVER	0.000300"MIN. SILVER PER ASTM B700, TYPE 2, GRADE D WITH A NON-CHROMATE PRESERVATIVE TREATMENT
	BASE/METAL SLEEVE	ZINC	0.000100"MIN. ZINC WITH YELLOW TRIVALENT CHROMATE PER ASTM B633
	NUT	N/A	N/A
	WASHER	N/A	N/A
03	TERMINAL	GOLD	0.000010"MIN. GOLD PER ASTM B488, TYPE II, CODE C OVER 0.000100"MIN. NICKEL PER SAE-AMS-QQ-N-290
	BASE/METAL SLEEVE	ZINC	0.000100"MIN. ZINC WITH YELLOW TRIVALENT CHROMATE PER ASTM B633
	NUT	N/A	N/A
	WASHER	N/A	N/A
04	TERMINAL	ELECTRO-TIN	0.000300"MIN. ELECTRO-TIN PER ASTM B545 OVER 0.000100"MIN. NICKEL PER SAE-AMS-QQ-N-290
	BASE/METAL SLEEVE	ZINC	0.000100"MIN. ZINC WITH YELLOW TRIVALENT CHROMATE PER ASTM B633
	NUT	N/A	N/A
	WASHER	N/A	N/A
044	TERMINAL	BRIGHT ELECTRO-TIN	0.000300"MIN. BRIGHT ELECTRO-TIN PER ASTM B545 OVER 0.000100"MIN. NICKEL PER SAE-AMS-QQ-N-290
	BASE/METAL SLEEVE	ZINC	0.000100"MIN. ZINC WITH YELLOW TRIVALENT CHROMATE PER ASTM B633
	NUT	N/A	N/A
	WASHER	N/A	N/A
05	TERMINAL	ELECTRO-SOLDER	0.000300"MIN. ELECTRO-SOLDER PER SAE-AMS-P-81728 OVER 0.000100"MIN. NICKEL PER SAE-AMS-QQ-N-290
	BASE/METAL SLEEVE	ZINC	0.000100"MIN. ZINC WITH YELLOW TRIVALENT CHROMATE PER ASTM B633
	NUT	N/A	N/A
	WASHER	N/A	N/A
088	TERMINAL	BRIGHT TIN-LEAD	0.000300"MIN. BRIGHT TIN-LEAD (Sn93%-Pb7%) PER ASTM B545 OVER 0.000100"MIN. NICKEL PER SAE-AMS-QQ-N-290
	BASE/METAL SLEEVE	ZINC	0.000100"MIN. ZINC WITH YELLOW TRIVALENT CHROMATE PER ASTM B633
	NUT	N/A	N/A
	WASHER	N/A	N/A

INSULATION COLOR OPTIONS:

1127-70-XX **XX**

INSULATION COLOR	BLACK	BLUE	BROWN	GRAY	GREEN	ORANGE	RED	VIOLET	WHITE	YELLOW
COLOR CODE NO.	10	16	11	18	15	13	12	17	19	14

TOLERANCES:\*

DECIMAL	FRACTIONAL	ANGULAR	DRAWING ORIGATION DATE	LAST MODIFICATION DATE
± 0.010	N/A	N/A	9/26/1995	3/1/2017

\*All dimensions are in inches.

RoHS COMPLIANCE:

1127-70-01XX

PART NUMBER	RoHS COMPLIANT
1127-70-0110	YES
1127-70-0111	YES
1127-70-0112	YES
1127-70-0113	YES
1127-70-0114	YES
1127-70-0115	YES
1127-70-0116	YES
1127-70-0117	YES
1127-70-0118	YES
1127-70-0119	YES

1127-70-03XX

PART NUMBER	RoHS COMPLIANT
1127-70-0310	YES
1127-70-0311	YES
1127-70-0312	YES
1127-70-0313	YES
1127-70-0314	YES
1127-70-0315	YES
1127-70-0316	YES
1127-70-0317	YES
1127-70-0318	YES
1127-70-0319	YES

1127-70-04XX

PART NUMBER	RoHS COMPLIANT
1127-70-0410	YES
1127-70-0411	YES
1127-70-0412	YES
1127-70-0413	YES
1127-70-0414	YES
1127-70-0415	YES
1127-70-0416	YES
1127-70-0417	YES
1127-70-0418	YES
1127-70-0419	YES

1127-70-044XX

PART NUMBER	RoHS COMPLIANT
1127-70-04410	YES
1127-70-04411	YES
1127-70-04412	YES
1127-70-04413	YES
1127-70-04414	YES
1127-70-04415	YES
1127-70-04416	YES
1127-70-04417	YES
1127-70-04418	YES
1127-70-04419	YES

1127-70-05XX

PART NUMBER	RoHS COMPLIANT
1127-70-0510	NO
1127-70-0511	NO
1127-70-0512	NO
1127-70-0513	NO
1127-70-0514	NO
1127-70-0515	NO
1127-70-0516	NO
1127-70-0517	NO
1127-70-0518	NO
1127-70-0519	NO

1127-70-088XX

PART NUMBER	RoHS COMPLIANT
1127-70-08810	NO
1127-70-08811	NO
1127-70-08812	NO
1127-70-08813	NO
1127-70-08814	NO
1127-70-08815	NO
1127-70-08816	NO
1127-70-08817	NO
1127-70-08818	NO
1127-70-08819	NO

TOOLING:

INSTALLATION TOOL: ARBOR PRESS	INSTALLATION TOOL: ANVIL (ARBOR PRESS OPERATED)	INSTALLATION TOOL: PRESS-FIT / ROLL SWAGE / RIVET PUNCH (ARBOR PRESS OPERATED)	INSTALLATION TOOL: PRESS-FIT (HAND OPERATED)
N/A	N/A	N/A	N/A

NOTES:

**DATASHEET NOTES**

NUT AND WASHER ARE NOT INCLUDED.

**INSTRUCTION NOTES**

N/A