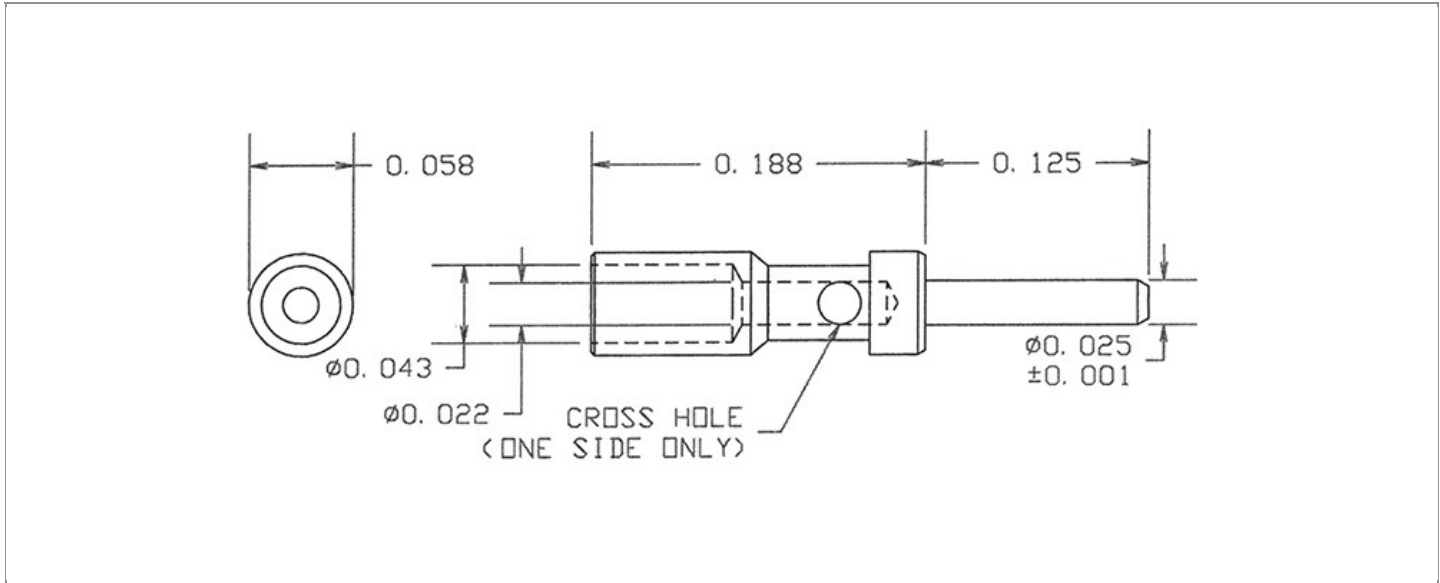


| | |
|------------------------|---|
| DRAWING NUMBER: | 09-8106-1-XX |
| PRODUCT GROUP: | TERMINALS |
| SUB-GROUP: | COMMERCIAL NON-INSULATED WIRE APPLIED PIN TERMINALS |
| DESCRIPTION: | NON-INSULATED PIN TERMINAL, CRIMP BARREL |



| CABLE / WIRE SIZE | PIN DIAMETER | OVERALL LENGTH | MIN. HOLE DEPTH |
|-------------------|----------------|----------------|-----------------|
| 28 AWG | 0.025" ± 0.001 | 0.313" | 0.075" |

PART NO. STRUCTURE:

| | | | | |
|----------------|---|-----------|---|-----------|
| 09-8106 | - | 1 | - | XX |
| PART SERIES | | DIMENSION | | FINISH |

MATERIAL OPTIONS:

09-8106-1-XX

| COMPONENT | MATERIAL | MATERIAL AND SPECIFICATION |
|------------|----------|--|
| PIN | BRASS | BRASS PER ASTM B16, ALLOY C36000, 1/2 HARD |

FINISH - PLATING OPTIONS:

09-8106-1-XX

| FINISH CODE | COMPONENT | FINISH | FINISH AND SPECIFICATION |
|-------------|------------|--------------------|--|
| 03 | PIN | GOLD | 0.000010"MIN. GOLD PER ASTM B488, TYPE II, CODE C OVER 0.000050"MIN. NICKEL PER SAE-AMS-QQ-N-290 |
| 035 | PIN | GOLD | 0.000050"MIN. GOLD PER ASTM B488, TYPE II, CODE C OVER 0.000050"MIN. NICKEL PER SAE-AMS-QQ-N-290 |
| 04 | PIN | ELECTRO-TIN | 0.000300"MIN. ELECTRO-TIN PER ASTM B545 OVER 0.000100"MIN. COPPER PER SAE-AMS-2418 |
| 044 | PIN | BRIGHT ELECTRO-TIN | 0.000300"MIN. BRIGHT ELECTRO-TIN PER ASTM B545 OVER 0.000100"MIN. COPPER PER SAE-AMS-2418 |

Continued on next page...

FINISH - PLATING OPTIONS CONTINUED:

09-8106-1-XX

| FINISH CODE | COMPONENT | FINISH | FINISH AND SPECIFICATION |
|-------------|-----------|-----------------|---|
| 05 | PIN | ELECTRO-SOLDER | 0.000300"MIN. ELECTRO-SOLDER PER SAE-AMS-P-81728 OVER 0.000100"MIN. COPPER PER SAE-AMS-2418 |
| 088 | PIN | BRIGHT TIN-LEAD | 0.000300"MIN. BRIGHT TIN-LEAD (Sn93%-Pb7%) PER ASTM B545 OVER 0.000100"MIN. COPPER PER SAE-AMS-2418 |

TOLERANCES:*

| DECIMAL | FRACTIONAL | ANGULAR | DRAWING ORIGATION DATE | LAST MODIFICATION DATE |
|---------|------------|---------|------------------------|------------------------|
| ± 0.005 | ± 1/64 | ± 5° | 12/18/1997 | 3/1/2017 |

*All dimensions are in inches.

RoHS COMPLIANCE:

09-8106-1-XX

| PART NUMBER | RoHS COMPLIANT |
|---------------|----------------|
| 09-8106-1-03 | YES |
| 09-8106-1-035 | YES |
| 09-8106-1-04 | YES |
| 09-8106-1-044 | YES |
| 09-8106-1-05 | NO |
| 09-8106-1-088 | NO |

TOOLING:

| CRIMPING TOOL (COMMERCIAL VERSION) |
|---------------------------------------|
| CONTACT CONCORD ELECTRONICS |

NOTES:

| DATASHEET NOTES |
|---|
| RECOMMENDED WIRE FOR CRIMPING: 28 AWG, 7 STRAND, NO. 36 COPPER WIRE, PTFE INSULATED. MINIMUM CRIMPING HOLE DEPTH: 0.075". |
| INSTRUCTION NOTES |
| STRIP INSULATION OF 28 AWG WIRE TO LENGTH OF MIN. CRIMPING HOLE DEPTH OF BARREL AND INSERT IT INTO END HOLE OF PIN. CRIMP BARREL AND SOLDER THRU SIDE HOLE. WIPE OFF EXCESS SOLDER. |