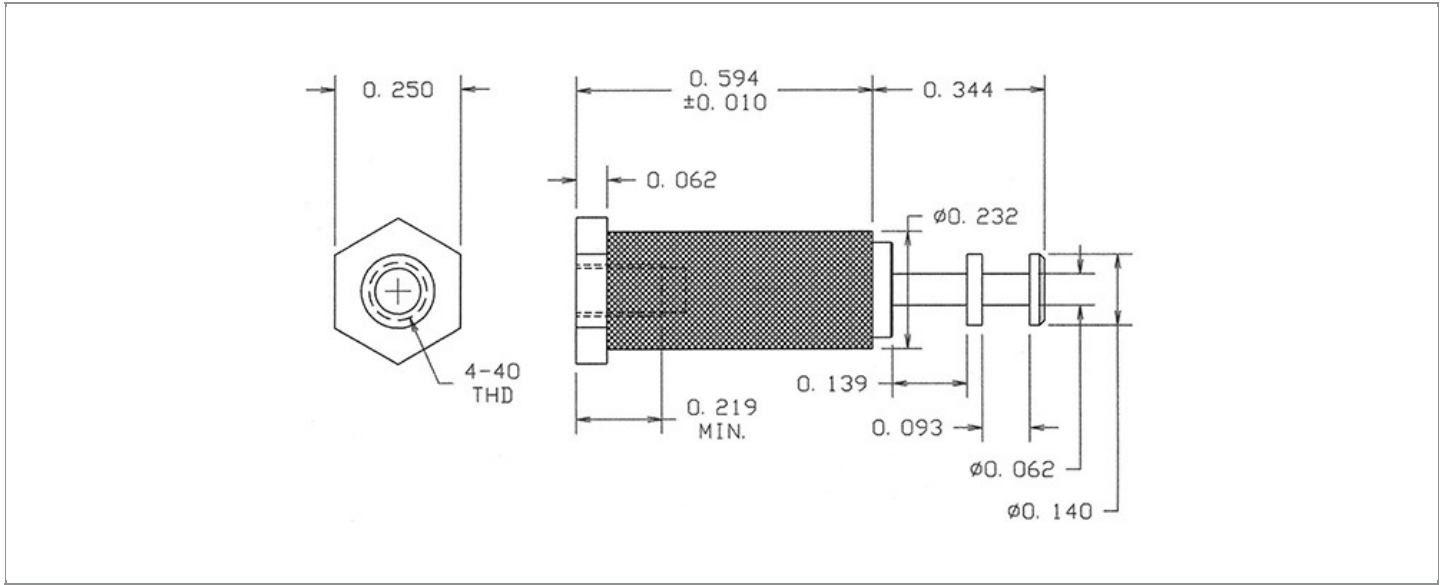


<b>DRAWING NUMBER:</b>	<b>1127-05-XXXX</b>
<b>PRODUCT GROUP:</b>	TERMINALS
<b>SUB-GROUP:</b>	COMMERCIAL INSULATED TERMINALS
<b>DESCRIPTION:</b>	DIALLYL PHTHALATE INSULATED DOUBLE TURRET TERMINAL



OVERALL LENGTH	PIN DIAMETER	FEED THRU COMBINATION	BOARD / PANEL MOUNTING METHOD
0.938"	N/A	N/A	THREAD MOUNT (4-40 SCREW)
SHANK LENGTH (L)	BOARD / PANEL THICKNESS	MOUNTING HOLE SIZE	DRILL SIZE
N/A	N/A	CLEARANCE FOR #4 SCREW	#31

**PART NO. STRUCTURE:**

<b>1127</b>	-	<b>05</b>	-	<b>XX</b>	<b>XX</b>
PART SERIES		DIMENSION		FINISH	INSULATION COLOR

**MATERIAL OPTIONS:**

**1127-05-XXXX**

COMPONENT	MATERIAL	MATERIAL AND SPECIFICATION
TERMINAL	BRASS	BRASS PER ASTM B16, ALLOY C36000, 1/2 HARD
BASE/METAL SLEEVE	BRASS	BRASS PER ASTM B16, ALLOY C36000, 1/2 HARD
INSULATION*	DIALLYL PHTHALATE	MOLDED DIALLYL PHTHALATE, TYPE SDG-F PER ASTM D5948
NUT	N/A	N/A
WASHER	N/A	N/A

\*For Insulation color, please see INSULATION COLOR OPTIONS on Page 3

FINISH - PLATING OPTIONS:

1127-05-XXXX

FINISH CODE	COMPONENT	FINISH	FINISH AND SPECIFICATION
01	TERMINAL	SILVER	0.000300"MIN. SILVER PER ASTM B700, TYPE 2, GRADE D WITH A NON-CHROMATE PRESERVATIVE TREATMENT
	BASE/METAL SLEEVE	ELECTRO-TIN	0.000100"MIN. ELECTRO-TIN PER ASTM B545 OVER 0.000050"MIN. NICKEL PER SAE-AMS-QQ-N-290
	NUT	N/A	N/A
	WASHER	N/A	N/A
03	TERMINAL	GOLD	0.000010"MIN. GOLD PER ASTM B488, TYPE II, CODE C OVER 0.000100"MIN. NICKEL PER SAE-AMS-QQ-N-290
	BASE/METAL SLEEVE	ELECTRO-TIN	0.000100"MIN. ELECTRO-TIN PER ASTM B545 OVER 0.000050"MIN. NICKEL PER SAE-AMS-QQ-N-290
	NUT	N/A	N/A
	WASHER	N/A	N/A
04	TERMINAL	ELECTRO-TIN	0.000300"MIN. ELECTRO-TIN PER ASTM B545 OVER 0.000100"MIN. NICKEL PER SAE-AMS-QQ-N-290
	BASE/METAL SLEEVE	ELECTRO-TIN	0.000100"MIN. ELECTRO-TIN PER ASTM B545 OVER 0.000050"MIN. NICKEL PER SAE-AMS-QQ-N-290
	NUT	N/A	N/A
	WASHER	N/A	N/A
044	TERMINAL	BRIGHT ELECTRO-TIN	0.000300"MIN. BRIGHT ELECTRO-TIN PER ASTM B545 OVER 0.000100"MIN. NICKEL PER SAE-AMS-QQ-N-290
	BASE/METAL SLEEVE	ELECTRO-TIN	0.000100"MIN. ELECTRO-TIN PER ASTM B545 OVER 0.000050"MIN. NICKEL PER SAE-AMS-QQ-N-290
	NUT	N/A	N/A
	WASHER	N/A	N/A
05	TERMINAL	ELECTRO-SOLDER	0.000300"MIN. ELECTRO-SOLDER PER SAE-AMS-P-81728 OVER 0.000100"MIN. COPPER PER SAE-AMS-2418
	BASE/METAL SLEEVE	ELECTRO-SOLDER	0.000100"MIN. ELECTRO-SOLDER PER SAE-AMS-P-81728 OVER 0.000050"MIN. NICKEL PER SAE-AMS-QQ-N-290
	NUT	N/A	N/A
	WASHER	N/A	N/A
088	TERMINAL	BRIGHT TIN-LEAD	0.000300"MIN. BRIGHT TIN-LEAD (Sn93%-Pb7%) PER ASTM B545 OVER 0.000100"MIN. COPPER PER SAE-AMS-2418
	BASE/METAL SLEEVE	BRIGHT TIN-LEAD	0.000100"MIN. BRIGHT TIN-LEAD (Sn93%-Pb7%) PER ASTM B545 OVER 0.000050"MIN. NICKEL PER SAE-AMS-QQ-N-290
	NUT	N/A	N/A
	WASHER	N/A	N/A

INSULATION COLOR OPTIONS:

1127-05-XX **XX**

INSULATION COLOR	BLACK	BLUE	BROWN	GRAY	GREEN	ORANGE	RED	VIOLET	WHITE	YELLOW
COLOR CODE NO.	10	16	11	18	15	13	12	17	19	14

TOLERANCES:\*

DECIMAL	FRACTIONAL	ANGULAR	DRAWING ORIGATION DATE	LAST MODIFICATION DATE
± 0.005	± 1/64	± 5 °	5/3/1996	3/1/2017

\*All dimensions are in inches.

RoHS COMPLIANCE:

1127-05-01XX

PART NUMBER	RoHS COMPLIANT
1127-05-0110	YES
1127-05-0111	YES
1127-05-0112	YES
1127-05-0113	YES
1127-05-0114	YES
1127-05-0115	YES
1127-05-0116	YES
1127-05-0117	YES
1127-05-0118	YES
1127-05-0119	YES

1127-05-03XX

PART NUMBER	RoHS COMPLIANT
1127-05-0310	YES
1127-05-0311	YES
1127-05-0312	YES
1127-05-0313	YES
1127-05-0314	YES
1127-05-0315	YES
1127-05-0316	YES
1127-05-0317	YES
1127-05-0318	YES
1127-05-0319	YES

1127-05-04XX

PART NUMBER	RoHS COMPLIANT
1127-05-0410	YES
1127-05-0411	YES
1127-05-0412	YES
1127-05-0413	YES
1127-05-0414	YES
1127-05-0415	YES
1127-05-0416	YES
1127-05-0417	YES
1127-05-0418	YES
1127-05-0419	YES

1127-05-044XX

PART NUMBER	RoHS COMPLIANT
1127-05-04410	YES
1127-05-04411	YES
1127-05-04412	YES
1127-05-04413	YES
1127-05-04414	YES
1127-05-04415	YES
1127-05-04416	YES
1127-05-04417	YES
1127-05-04418	YES
1127-05-04419	YES

1127-05-05XX

PART NUMBER	RoHS COMPLIANT
1127-05-0510	NO
1127-05-0511	NO
1127-05-0512	NO
1127-05-0513	NO
1127-05-0514	NO
1127-05-0515	NO
1127-05-0516	NO
1127-05-0517	NO
1127-05-0518	NO
1127-05-0519	NO

1127-05-088XX

PART NUMBER	RoHS COMPLIANT
1127-05-08810	NO
1127-05-08811	NO
1127-05-08812	NO
1127-05-08813	NO
1127-05-08814	NO
1127-05-08815	NO
1127-05-08816	NO
1127-05-08817	NO
1127-05-08818	NO
1127-05-08819	NO

TOOLING:

INSTALLATION TOOL: ARBOR PRESS	INSTALLATION TOOL: ANVIL (ARBOR PRESS OPERATED)	INSTALLATION TOOL: PRESS-FIT / ROLL SWAGE / RIVET PUNCH (ARBOR PRESS OPERATED)	INSTALLATION TOOL: PRESS-FIT (HAND OPERATED)
N/A	N/A	N/A	N/A

NOTES:

**DATASHEET NOTES**

SCREW IS NOT INCLUDED.

**INSTRUCTION NOTES**

N/A