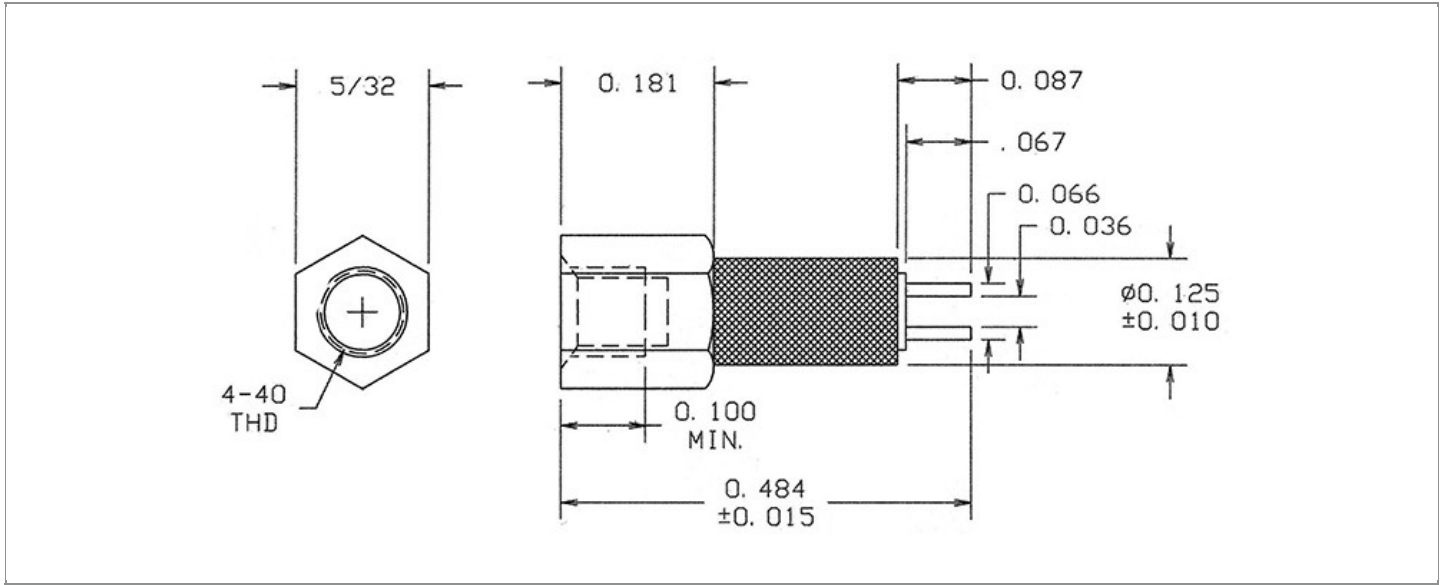


<b>DRAWING NUMBER:</b>	<b>1126-31-XXXX</b>
<b>PRODUCT GROUP:</b>	TERMINALS
<b>SUB-GROUP:</b>	COMMERCIAL INSULATED TERMINALS
<b>DESCRIPTION:</b>	PTFE INSULATED SLOTTED TERMINAL



OVERALL LENGTH	PIN DIAMETER	FEED THRU COMBINATION	BOARD / PANEL MOUNTING METHOD
0.484"	N/A	N/A	THREAD MOUNT (4-40 SCREW)

SHANK LENGTH (L)	BOARD / PANEL THICKNESS	MOUNTING HOLE SIZE	DRILL SIZE
N/A	N/A	CLEARANCE FOR #4 SCREW	#31

**PART NO. STRUCTURE:**

1126	-	31	-	XX	XX
PART SERIES		DIMENSION		FINISH	INSULATION COLOR

**MATERIAL OPTIONS:**

**1126-31-XXXX**

COMPONENT	MATERIAL	MATERIAL AND SPECIFICATION
TERMINAL	BRASS	BRASS PER ASTM B16, ALLOY C36000, 1/2 HARD
BASE/METAL SLEEVE	BRASS	BRASS PER ASTM B16, ALLOY C36000, 1/2 HARD
INSULATION*	PTFE	PTFE PER ASTM D1710
NUT	N/A	N/A
WASHER	N/A	N/A

\*For Insulation color, please see INSULATION COLOR OPTIONS on Page 3

FINISH - PLATING OPTIONS:

1126-31-XXXX

FINISH CODE	COMPONENT	FINISH	FINISH AND SPECIFICATION
01	TERMINAL	SILVER	0.000300"MIN. SILVER PER ASTM B700, TYPE 2, GRADE D WITH A NON-CHROMATE PRESERVATIVE TREATMENT
	BASE/METAL SLEEVE	ZINC	0.000100"MIN. ZINC WITH YELLOW TRIVALENT CHROMATE PER ASTM B633
	NUT	N/A	N/A
	WASHER	N/A	N/A
03	TERMINAL	GOLD	0.000010"MIN. GOLD PER ASTM B488, TYPE II, CODE C OVER 0.000100"MIN. NICKEL PER SAE-AMS-QQ-N-290
	BASE/METAL SLEEVE	ZINC	0.000100"MIN. ZINC WITH YELLOW TRIVALENT CHROMATE PER ASTM B633
	NUT	N/A	N/A
	WASHER	N/A	N/A
04	TERMINAL	ELECTRO-TIN	0.000300"MIN. ELECTRO-TIN PER ASTM B545 OVER 0.000100"MIN. NICKEL PER SAE-AMS-QQ-N-290
	BASE/METAL SLEEVE	ZINC	0.000100"MIN. ZINC WITH YELLOW TRIVALENT CHROMATE PER ASTM B633
	NUT	N/A	N/A
	WASHER	N/A	N/A
044	TERMINAL	BRIGHT ELECTRO-TIN	0.000300"MIN. BRIGHT ELECTRO-TIN PER ASTM B545 OVER 0.000100"MIN. NICKEL PER SAE-AMS-QQ-N-290
	BASE/METAL SLEEVE	ZINC	0.000100"MIN. ZINC WITH YELLOW TRIVALENT CHROMATE PER ASTM B633
	NUT	N/A	N/A
	WASHER	N/A	N/A
05	TERMINAL	ELECTRO-SOLDER	0.000300"MIN. ELECTRO-SOLDER PER SAE-AMS-P-81728 OVER 0.000100"MIN. NICKEL PER SAE-AMS-QQ-N-290
	BASE/METAL SLEEVE	ZINC	0.000100"MIN. ZINC WITH YELLOW TRIVALENT CHROMATE PER ASTM B633
	NUT	N/A	N/A
	WASHER	N/A	N/A
088	TERMINAL	BRIGHT TIN-LEAD	0.000300"MIN. BRIGHT TIN-LEAD (Sn93%-Pb7%) PER ASTM B545 OVER 0.000100"MIN. NICKEL PER SAE-AMS-QQ-N-290
	BASE/METAL SLEEVE	ZINC	0.000100"MIN. ZINC WITH YELLOW TRIVALENT CHROMATE PER ASTM B633
	NUT	N/A	N/A
	WASHER	N/A	N/A

INSULATION COLOR OPTIONS:

1126-31-XX **XX**

INSULATION COLOR	BLACK	BLUE	BROWN	GRAY	GREEN	ORANGE	RED	VIOLET	WHITE	YELLOW
COLOR CODE NO.	10	16	11	18	15	13	12	17	19	14

TOLERANCES:\*

DECIMAL	FRACTIONAL	ANGULAR	DRAWING ORIGATION DATE	LAST MODIFICATION DATE
± 0.005	± 1/64	± 5 °	12/4/2000	3/1/2017

\*All dimensions are in inches.

RoHS COMPLIANCE:

1126-31-01XX

PART NUMBER	RoHS COMPLIANT
1126-31-0110	YES
1126-31-0111	NO
1126-31-0112	NO
1126-31-0113	NO
1126-31-0114	NO
1126-31-0115	YES
1126-31-0116	YES
1126-31-0117	YES
1126-31-0118	NO
1126-31-0119	YES

1126-31-03XX

PART NUMBER	RoHS COMPLIANT
1126-31-0310	YES
1126-31-0311	NO
1126-31-0312	NO
1126-31-0313	NO
1126-31-0314	NO
1126-31-0315	YES
1126-31-0316	YES
1126-31-0317	YES
1126-31-0318	NO
1126-31-0319	YES

1126-31-04XX

PART NUMBER	RoHS COMPLIANT
1126-31-0410	YES
1126-31-0411	NO
1126-31-0412	NO
1126-31-0413	NO
1126-31-0414	NO
1126-31-0415	YES
1126-31-0416	YES
1126-31-0417	YES
1126-31-0418	NO
1126-31-0419	YES

1126-31-044XX

PART NUMBER	RoHS COMPLIANT
1126-31-04410	YES
1126-31-04411	NO
1126-31-04412	NO
1126-31-04413	NO
1126-31-04414	NO
1126-31-04415	YES
1126-31-04416	YES
1126-31-04417	YES
1126-31-04418	NO
1126-31-04419	YES

1126-31-05XX

PART NUMBER	RoHS COMPLIANT
1126-31-0510	NO
1126-31-0511	NO
1126-31-0512	NO
1126-31-0513	NO
1126-31-0514	NO
1126-31-0515	NO
1126-31-0516	NO
1126-31-0517	NO
1126-31-0518	NO
1126-31-0519	NO

1126-31-088XX

PART NUMBER	RoHS COMPLIANT
1126-31-08810	NO
1126-31-08811	NO
1126-31-08812	NO
1126-31-08813	NO
1126-31-08814	NO
1126-31-08815	NO
1126-31-08816	NO
1126-31-08817	NO
1126-31-08818	NO
1126-31-08819	NO

TOOLING:

INSTALLATION TOOL: ARBOR PRESS	INSTALLATION TOOL: ANVIL (ARBOR PRESS OPERATED)	INSTALLATION TOOL: PRESS-FIT / ROLL SWAGE / RIVET PUNCH (ARBOR PRESS OPERATED)	INSTALLATION TOOL: PRESS-FIT (HAND OPERATED)
N/A	N/A	N/A	N/A

NOTES:

**DATASHEET NOTES**

SCREW IS NOT INCLUDED.

**INSTRUCTION NOTES**

N/A