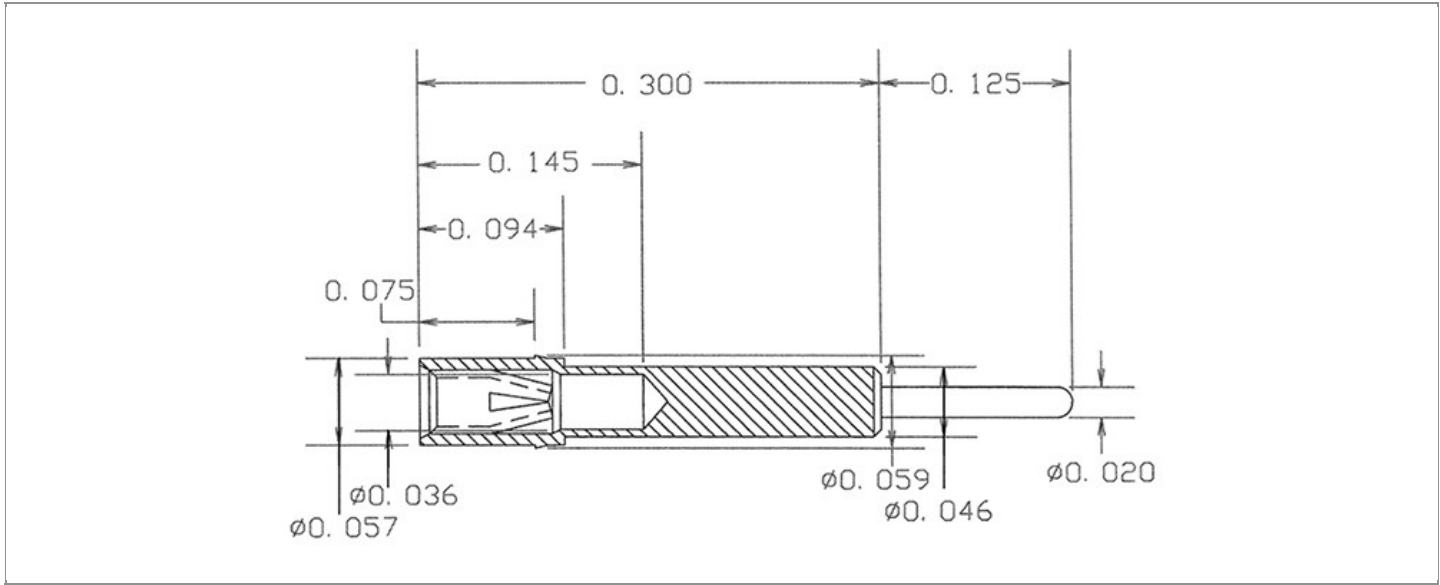


| | |
|------------------------|-------------------------------------|
| DRAWING NUMBER: | 09-9693-X-XX |
| PRODUCT GROUP: | PC JACKS |
| SUB-GROUP: | NON-INSULATED PC JACKS |
| DESCRIPTION: | PC JACK - NON-INSULATED - FEED THRU |



| ACCEPTS PIN / PLUG / JACK SIZE | MOUNTING ORIENTATION | BOARD / PANEL MOUNTING METHOD | MOUNTING HOLE SIZE | DRILL SIZE | FEED THRU COMBINATION |
|--------------------------------|----------------------|-------------------------------|--------------------|------------|-----------------------|
| 0.015" - 0.025" | VERTICAL | PRESS FIT/SOLDER | 0.057" \pm 0.001 | #54 | JACK/PIN |

PART NO. STRUCTURE:

| | | | | |
|----------------|---|-----------|---|-----------|
| 09-9693 | - | 1 | - | XX |
| PART SERIES | | DIMENSION | | FINISH |

MATERIAL OPTIONS:

09-9693-1-XX

| COMPONENT | MATERIAL | MATERIAL AND SPECIFICATION |
|-------------------------|------------------|--|
| BODY | BRASS | BRASS PER ASTM B16, ALLOY C36000, 1/2 HARD |
| SPRING (CAGE) | BERYLLIUM COPPER | BERYLLIUM COPPER PER ASTM B194, ALLOY C17200 |
| MOUNTING BRACKET | N/A | N/A |

DIMENSION OPTIONS:

09-9693-1-XX

| DIMENSION | A | H | OVERALL LENGTH | MIN. HOLE DEPTH | SHANK LENGTH (L) | BOARD/PANEL THICKNESS |
|-----------|-----|-----|----------------|-----------------|------------------|-----------------------|
| 1 | N/A | N/A | 0.425" | 0.145" | N/A | 3/32" - 1/4" |

FINISH - PLATING OPTIONS:

09-9693-1-XX

| FINISH CODE | COMPONENT | FINISH | FINISH AND SPECIFICATION |
|-------------|------------------|--------------------|--|
| 03 | BODY | GOLD | 0.000010"MIN. GOLD PER ASTM B488, TYPE II, CODE C OVER 0.000100"MIN. NICKEL PER SAE-AMS-QQ-N-290, CLASS 2 |
| | SPRING (CAGE) | GOLD | 0.000030"MIN. GOLD PER ASTM B488, TYPE II, CODE C OVER 0.000100"MIN. NICKEL PER SAE-AMS-QQ-N-290, CLASS 2 |
| | MOUNTING BRACKET | N/A | N/A |
| 035 | BODY | GOLD | 0.000020"MIN. GOLD PER ASTM B488, TYPE II, CODE C OVER 0.000100"MIN. NICKEL PER SAE-AMS-QQ-N-290, CLASS 2 |
| | SPRING (CAGE) | GOLD | 0.000050"MIN. GOLD PER ASTM B488, TYPE II, CODE C OVER 0.000100"MIN. NICKEL PER SAE-AMS-QQ-N-290, CLASS 2 |
| | MOUNTING BRACKET | N/A | N/A |
| 04 | BODY | ELECTRO-TIN | 0.000100"MIN. ELECTRO-TIN PER ASTM B545 OVER 0.000100"MIN. NICKEL PER SAE-AMS-QQ-N-290, CLASS 2 |
| | SPRING (CAGE) | BRIGHT ELECTRO-TIN | 0.000200"MIN. BRIGHT ELECTRO-TIN PER ASTM B545 OVER 0.000050"MIN. NICKEL PER SAE-AMS-QQ-N-290, CLASS 2 |
| | MOUNTING BRACKET | N/A | N/A |
| 06 | BODY | ELECTRO-TIN | 0.000100"MIN. ELECTRO-TIN PER ASTM B545 OVER 0.000100"MIN. NICKEL PER SAE-AMS-QQ-N-290, CLASS 2 |
| | SPRING (CAGE) | GOLD | 0.000030"MIN. GOLD PER ASTM B488, TYPE II, CODE C OVER 0.000100"MIN. NICKEL PER SAE-AMS-QQ-N-290, CLASS 2 |
| | MOUNTING BRACKET | N/A | N/A |
| 063 | BODY | BRIGHT TIN-LEAD | 0.000200"MIN. BRIGHT TIN-LEAD (Sn93%-Pb7%) PER ASTM B545 OVER 0.000100"MIN. NICKEL PER SAE-AMS-QQ-N-290, CLASS 2 |
| | SPRING (CAGE) | GOLD | 0.000030"MIN. GOLD PER ASTM B488, TYPE II, CODE C OVER 0.000100"MIN. NICKEL PER SAE-AMS-QQ-N-290, CLASS 2 |
| | MOUNTING BRACKET | N/A | N/A |
| 088 | BODY | BRIGHT TIN-LEAD | 0.000200"MIN. BRIGHT TIN-LEAD (Sn93%-Pb7%) PER ASTM B545 OVER 0.000100"MIN. NICKEL PER SAE-AMS-QQ-N-290, CLASS 2 |
| | SPRING (CAGE) | BRIGHT TIN-LEAD | 0.000200"MIN. BRIGHT TIN-LEAD (Sn93%-Pb7%) PER ASTM B545 OVER 0.000100"MIN. NICKEL PER SAE-AMS-QQ-N-290, CLASS 2 |
| | MOUNTING BRACKET | N/A | N/A |

TOLERANCES:*

| DECIMAL | FRACTIONAL | ANGULAR | DRAWING ORIENTATION DATE | LAST MODIFICATION DATE |
|---------|------------|---------|--------------------------|------------------------|
| ± 0.005 | ± 1/64 | ± 5 ° | 05/25/00 | 01/01/17 |

*All dimensions are in inches.

RoHS COMPLIANCE:

09-9693-1-XX

| PART NUMBER | RoHS COMPLIANT |
|---------------|----------------|
| 09-9693-1-03 | YES |
| 09-9693-1-035 | YES |
| 09-9693-1-04 | YES |
| 09-9693-1-06 | YES |
| 09-9693-1-063 | NO |
| 09-9693-1-088 | NO |

TOOLING:

| INSTALLATION TOOL: ARBOR PRESS | INSTALLATION TOOL: ANVIL (ARBOR PRESS OPERATED) | INSTALLATION TOOL: PRESS-FIT / ROLL SWAGE / RIVET PUNCH (ARBOR PRESS OPERATED) | CRIMPING TOOL (COMMERCIAL VERSION) |
|-----------------------------------|---|---|---------------------------------------|
| TM1 | TA09-9693 | TPP09-9693 | N/A |

NOTES:

DATASHEET NOTES

THE MINIMUM PIN DIAMETER SHOULD BE NO MORE THAN 0.005" SMALLER THAN THE MAXIMUM PIN DIAMETER INSERTED.

INSTRUCTION NOTES

SEE GENERAL PRESS FIT INSTALLATION INSTRUCTION ON CONCORD ELECTRONICS' WEBSITE WWW.CONCORD-ELECTRONICS.COM.