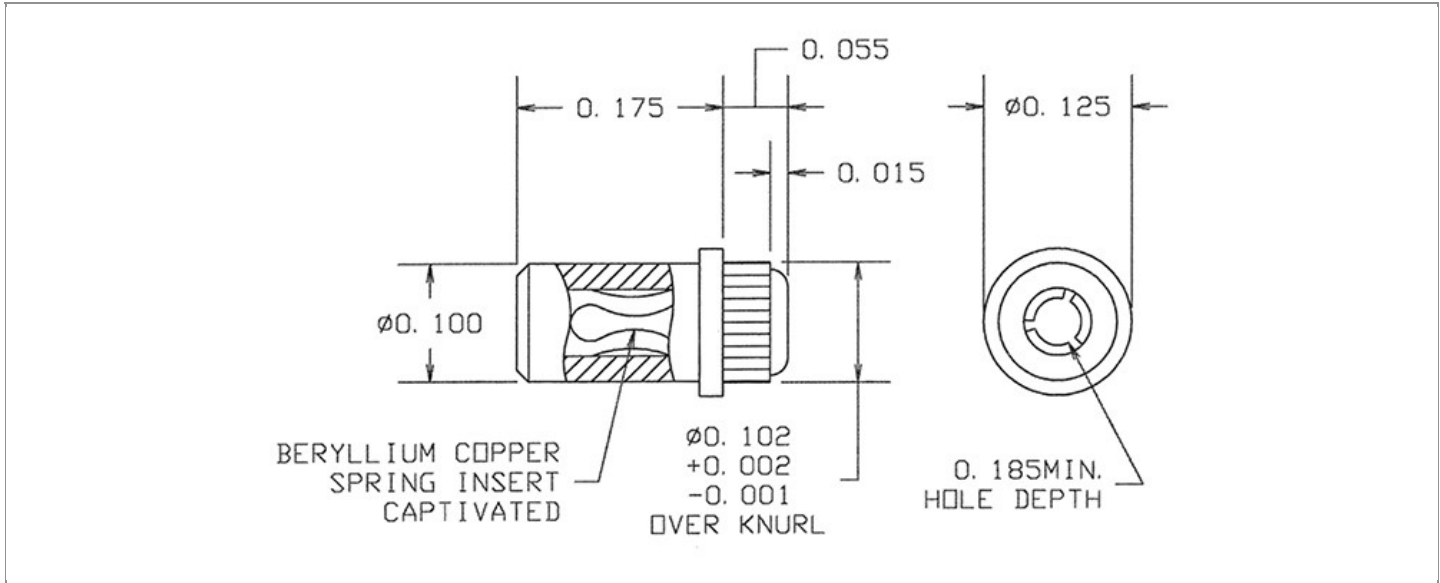


| | |
|------------------------|-------------------------|
| DRAWING NUMBER: | 09-9078-X-XX |
| PRODUCT GROUP: | PC JACKS |
| SUB-GROUP: | NON-INSULATED PC JACKS |
| DESCRIPTION: | PC JACK - NON-INSULATED |



| ACCEPTS PIN / PLUG / JACK SIZE | MOUNTING ORIENTATION | BOARD / PANEL MOUNTING METHOD | MOUNTING HOLE SIZE | DRILL SIZE | FEED THRU COMBINATION |
|--------------------------------|----------------------|-------------------------------|-------------------------|------------|-----------------------|
| 0.040" \pm 0.001 | VERTICAL | PRESS FIT/SOLDER | 0.0995" (+0.001/-0.003) | #39 | N/A |

PART NO. STRUCTURE:

09-9078 - **1** - **XX**
 PART SERIES DIMENSION FINISH

MATERIAL OPTIONS:

09-9078-1-XX

| COMPONENT | MATERIAL | MATERIAL AND SPECIFICATION |
|------------------|------------------|--|
| BODY | BRASS | BRASS PER ASTM B16, ALLOY C36000, 1/2 HARD |
| SPRING (CAGE) | BERYLLIUM COPPER | BERYLLIUM COPPER PER ASTM B194, ALLOY C17200 |
| MOUNTING BRACKET | N/A | N/A |

DIMENSION OPTIONS:

09-9078-1-XX

| DIMENSION | A | H | OVERALL LENGTH | MIN. HOLE DEPTH | SHANK LENGTH (L) | BOARD/PANEL THICKNESS |
|-----------|-----|-----|----------------|-----------------|------------------|-----------------------|
| 1 | N/A | N/A | 0.230" | 0.185" | N/A | 1/32" - 1/16" |

FINISH - PLATING OPTIONS:

09-9078-1-XX

| FINISH CODE | COMPONENT | FINISH | FINISH AND SPECIFICATION |
|-------------|------------------|--------------------|--|
| 03 | BODY | GOLD | 0.000010"MIN. GOLD PER ASTM B488, TYPE II, CODE C OVER 0.000100"MIN. NICKEL PER SAE-AMS-QQ-N-290, CLASS 2 |
| | SPRING (CAGE) | GOLD | 0.000030"MIN. GOLD PER ASTM B488, TYPE II, CODE C OVER 0.000100"MIN. NICKEL PER SAE-AMS-QQ-N-290, CLASS 2 |
| | MOUNTING BRACKET | N/A | N/A |
| 035 | BODY | GOLD | 0.000020"MIN. GOLD PER ASTM B488, TYPE II, CODE C OVER 0.000100"MIN. NICKEL PER SAE-AMS-QQ-N-290, CLASS 2 |
| | SPRING (CAGE) | GOLD | 0.000050"MIN. GOLD PER ASTM B488, TYPE II, CODE C OVER 0.000100"MIN. NICKEL PER SAE-AMS-QQ-N-290, CLASS 2 |
| | MOUNTING BRACKET | N/A | N/A |
| 04 | BODY | ELECTRO-TIN | 0.000100"MIN. ELECTRO-TIN PER ASTM B545 OVER 0.000100"MIN. NICKEL PER SAE-AMS-QQ-N-290, CLASS 2 |
| | SPRING (CAGE) | BRIGHT ELECTRO-TIN | 0.000200"MIN. BRIGHT ELECTRO-TIN PER ASTM B545 OVER 0.000050"MIN. NICKEL PER SAE-AMS-QQ-N-290, CLASS 2 |
| | MOUNTING BRACKET | N/A | N/A |
| 06 | BODY | ELECTRO-TIN | 0.000100"MIN. ELECTRO-TIN PER ASTM B545 OVER 0.000100"MIN. NICKEL PER SAE-AMS-QQ-N-290, CLASS 2 |
| | SPRING (CAGE) | GOLD | 0.000030"MIN. GOLD PER ASTM B488, TYPE II, CODE C OVER 0.000100"MIN. NICKEL PER SAE-AMS-QQ-N-290, CLASS 2 |
| | MOUNTING BRACKET | N/A | N/A |
| 063 | BODY | BRIGHT TIN-LEAD | 0.000200"MIN. BRIGHT TIN-LEAD (Sn93%-Pb7%) PER ASTM B545 OVER 0.000100"MIN. NICKEL PER SAE-AMS-QQ-N-290, CLASS 2 |
| | SPRING (CAGE) | GOLD | 0.000030"MIN. GOLD PER ASTM B488, TYPE II, CODE C OVER 0.000100"MIN. NICKEL PER SAE-AMS-QQ-N-290, CLASS 2 |
| | MOUNTING BRACKET | N/A | N/A |
| 088 | BODY | BRIGHT TIN-LEAD | 0.000200"MIN. BRIGHT TIN-LEAD (Sn93%-Pb7%) PER ASTM B545 OVER 0.000100"MIN. NICKEL PER SAE-AMS-QQ-N-290, CLASS 2 |
| | SPRING (CAGE) | BRIGHT TIN-LEAD | 0.000200"MIN. BRIGHT TIN-LEAD (Sn93%-Pb7%) PER ASTM B545 OVER 0.000100"MIN. NICKEL PER SAE-AMS-QQ-N-290, CLASS 2 |
| | MOUNTING BRACKET | N/A | N/A |

TOLERANCES:*

| DECIMAL | FRACTIONAL | ANGULAR | DRAWING ORIENTATION DATE | LAST MODIFICATION DATE |
|---------|------------|---------|--------------------------|------------------------|
| ± 0.005 | ± 1/64 | N/A | 04/06/99 | 01/01/17 |

*All dimensions are in inches.

RoHS COMPLIANCE:

09-9078-1-XX

| PART NUMBER | RoHS COMPLIANT |
|---------------|----------------|
| 09-9078-1-03 | YES |
| 09-9078-1-035 | YES |
| 09-9078-1-04 | YES |
| 09-9078-1-06 | YES |
| 09-9078-1-063 | NO |
| 09-9078-1-088 | NO |

TOOLING:

| INSTALLATION TOOL: ARBOR PRESS | INSTALLATION TOOL: ANVIL (ARBOR PRESS OPERATED) | INSTALLATION TOOL: PRESS-FIT / ROLL SWAGE / RIVET PUNCH (ARBOR PRESS OPERATED) | CRIMPING TOOL (COMMERCIAL VERSION) |
|-----------------------------------|---|---|---------------------------------------|
| TM1 | TA09-9078 | TPP09-9078 | N/A |

NOTES:

DATASHEET NOTES

N/A

INSTRUCTION NOTES

SEE GENERAL PRESS FIT INSTALLATION INSTRUCTION ON CONCORD ELECTRONICS' WEBSITE WWW.CONCORD-ELECTRONICS.COM.